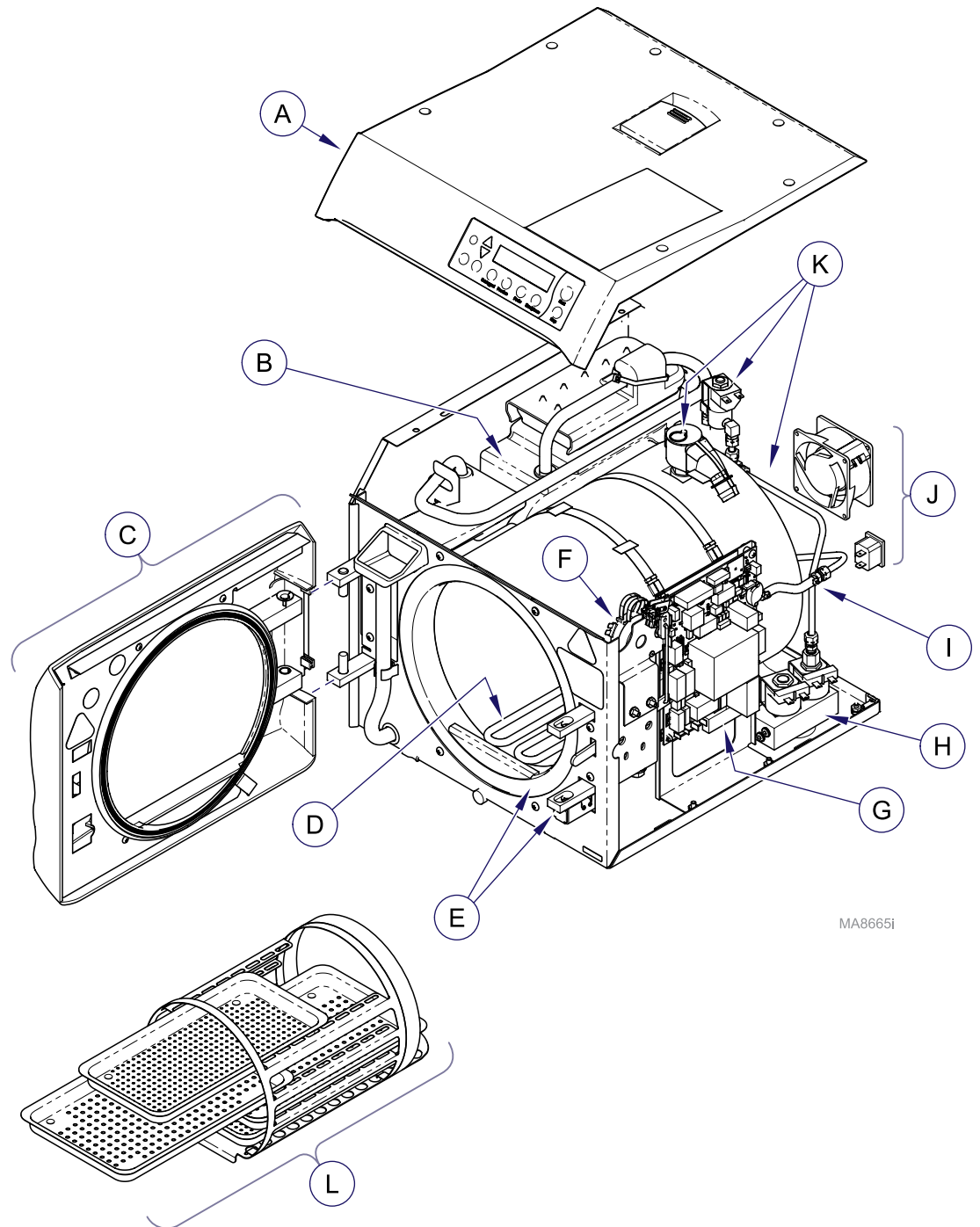


M9/D (-020 thru -022)

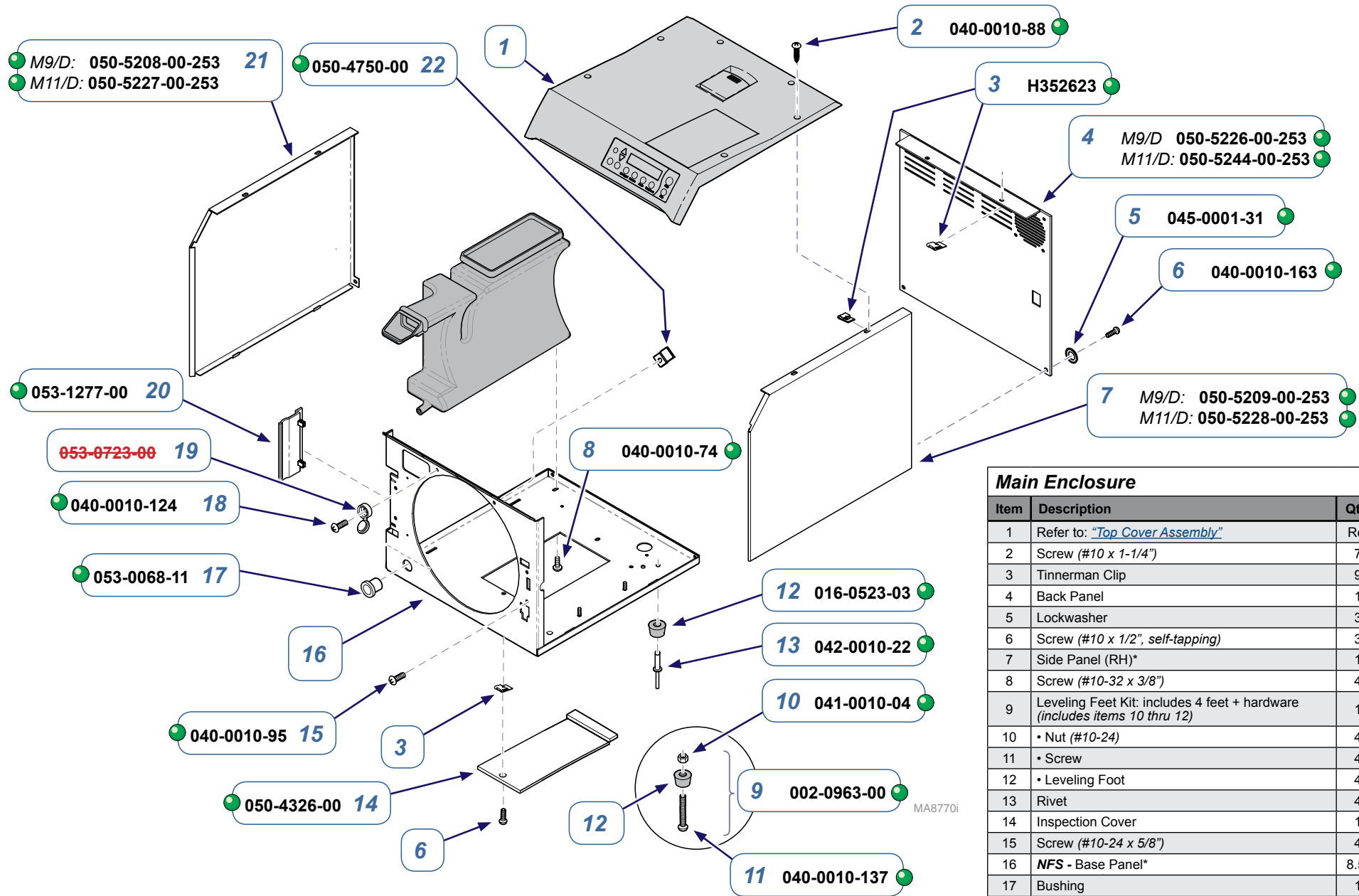
M11/D (-020 thru -022)

Item	Description / Page	Includes
A	<i>Main Enclosure</i>	top cover / display panel assembly, leveling feet, hinge cover panels (side / back / base)
B	<i>Reservoir / Drain Tube</i>	condensing coil, equalization tube, tank, drain tube / hose clips
C	<i>Door Components</i>	door cover, handle, latch bracket, gaskets / ring
D	<i>Heating Element / Hi-limit Thermostats</i>	115 / 230V heating elements, hi-limit thermostats
E	<i>Chamber / Door Latch</i>	door switch, latch lever / brackets, filters
F	<i>Door Motor System*</i>	door motor kit, connecting rod, switch
G	<i>Main PC Board</i>	PC board, fuses
H	<i>Fill / Vent Valve</i>	valve repair kits, fittings, wiring harness
I	<i>Tubing / Fittings</i>	tubing, fittings, cable ties, pressure relief tubing
J	<i>Fan System / Power Cord</i>	fan / thermostat, power cord, power cord receptacle
K	<i>Sensors / Valves</i>	temp probe, water level sensor, air valve, pressure relief valve
L	<i>Trays / Racks</i>	trays, rack, tray plate, Speed-Clean
-	<i>Labels / Decals (not shown)</i>	hot surface, water level labels
-	<i>Packaging (not shown)</i>	shipping box, packaging cushions, skid (M11 models only)

*serial # break / multiple pages



MA8665i



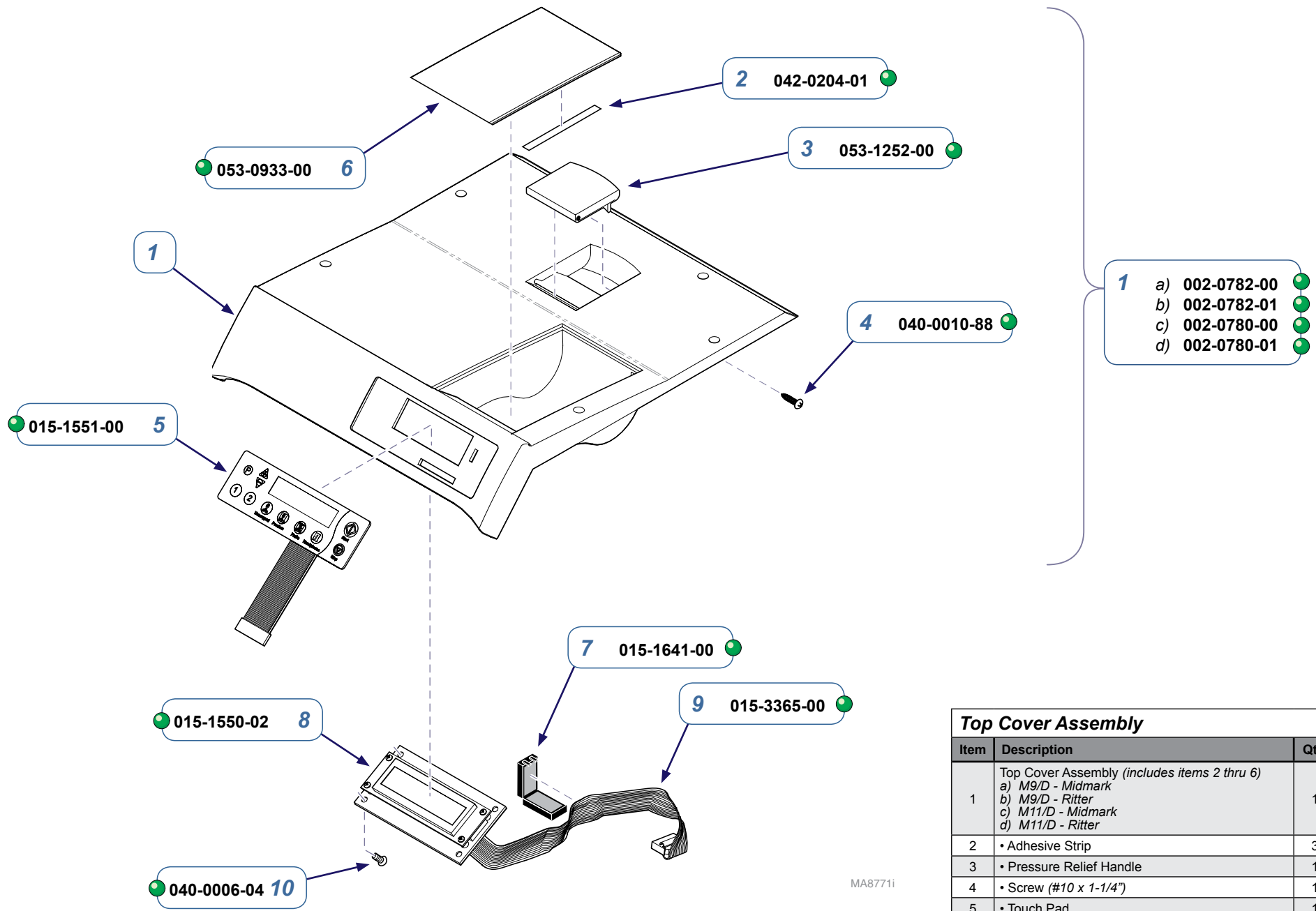
Main Enclosure

Item	Description	Qty.
1	Refer to: "Top Cover Assembly"	Ref
2	Screw (#10 x 1-1/4")	7
3	Tinnerman Clip	9
4	Back Panel	1
5	Lockwasher	3
6	Screw (#10 x 1/2", self-tapping)	3
7	Side Panel (RH)*	1
8	Screw (#10-32 x 3/8")	4
9	Leveling Feet Kit: includes 4 feet + hardware (includes items 10 thru 12)	1
10	• Nut (#10-24)	4
11	• Screw	4
12	• Leveling Foot	4
13	Rivet	4
14	Inspection Cover	1
15	Screw (#10-24 x 5/8")	4
16	NFS - Base Panel*	8.5"
17	Bushing	1
18	Screw (#24 x 3/8")	2
19	Screw Cover (Early Units Only)	2
20	Hinge Cover	1
21	Side Panel (LH)*	1
22	Flange Clamp	4

MA87701

Model Numbers:	Serial Numbers:
M9/D (-020 thru -022)	All
M11/D (-020 thru -022)	All

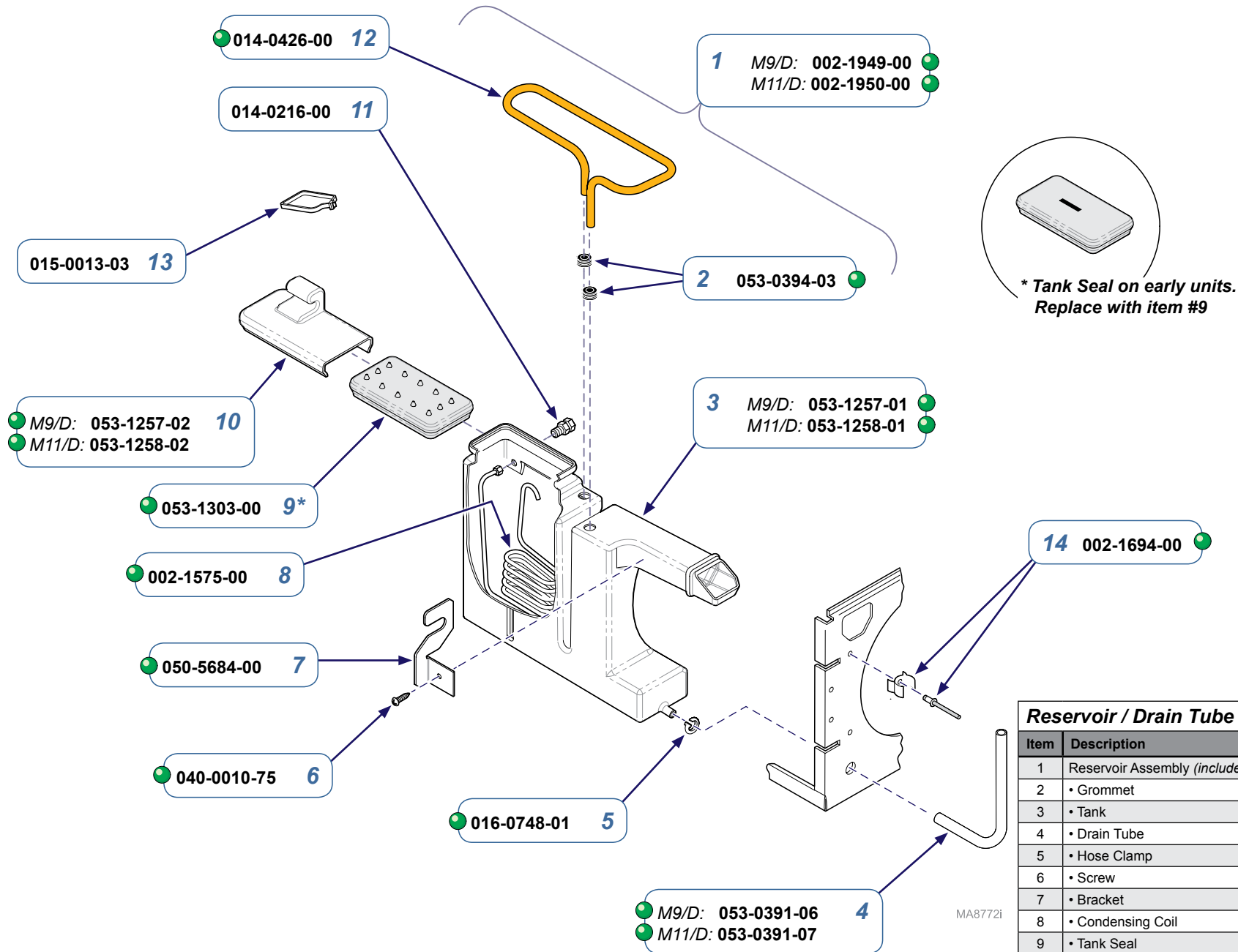
*NOTE: Side / back panels are coated with textured paint. Smooth panels used on early units are no longer available.



Top Cover Assembly		
Item	Description	Qty.
1	Top Cover Assembly (includes items 2 thru 6) a) M9/D - Midmark b) M9/D - Ritter c) M11/D - Midmark d) M11/D - Ritter	1
2	• Adhesive Strip	3
3	• Pressure Relief Handle	1
4	• Screw (#10 x 1-1/4")	1
5	• Touch Pad	1
6	• Cover Plate	1
7	Suppression Coil	1
8	Display Panel (includes item 9)	
9	• Ribbon Cable	1
10	Screw (#6 x 3/8")	2

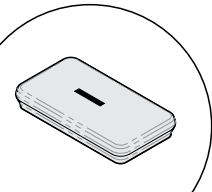
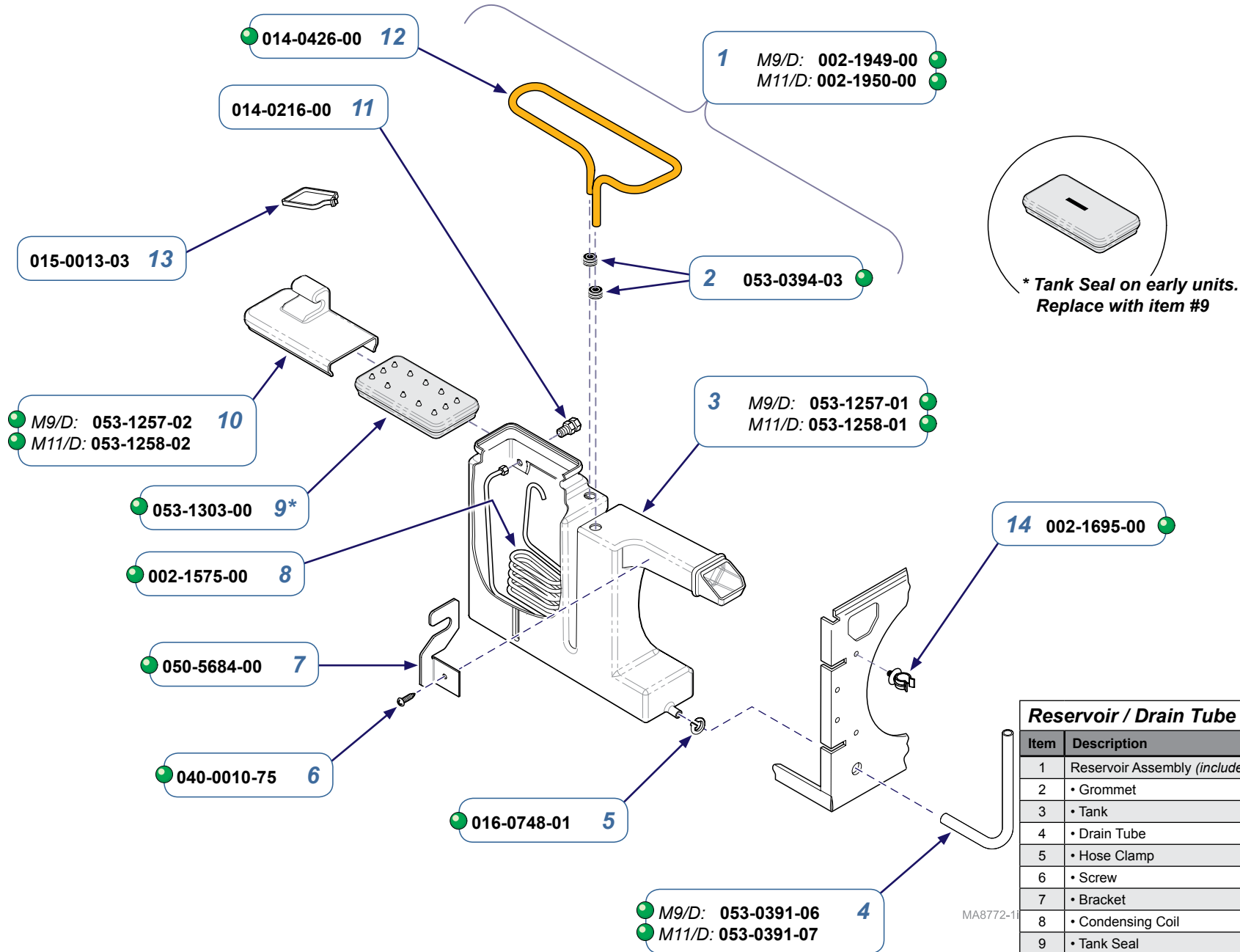
Page Applies To Model Numbers:	Serial Numbers:
M9/D (-020 thru -022) M11/D (-020 thru -022)	all

MA8771i



Model Numbers:	Serial Numbers:
M9/D (-020 thru -022)	V2200 thru V1464209
M11/D (-020 thru -022)	V2200 thru V1479340

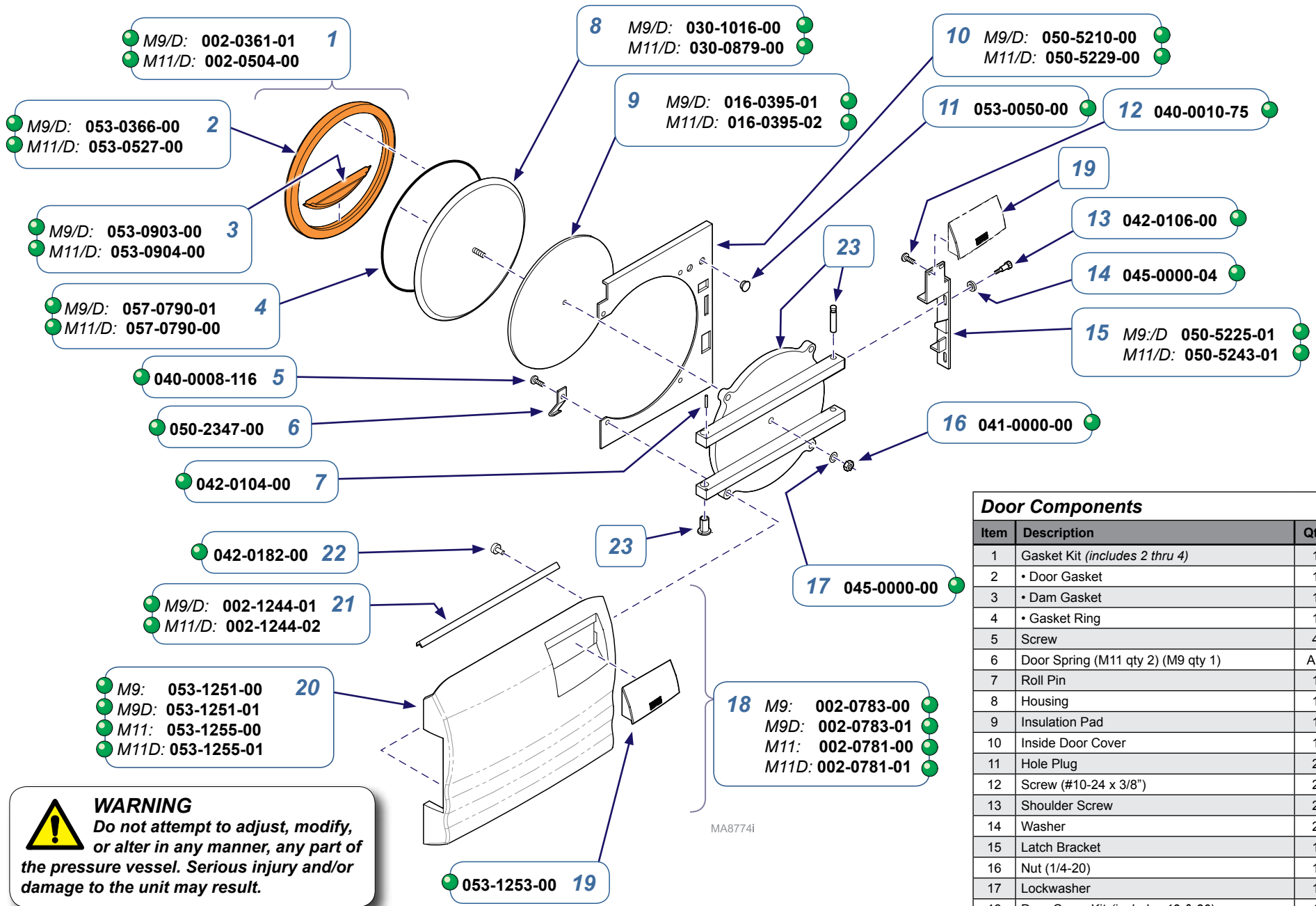
Reservoir / Drain Tube		
Item	Description	Qty.
1	Reservoir Assembly (includes items 2 thru 12)	1
2	• Grommet	2
3	• Tank	1
4	• Drain Tube	1
5	• Hose Clamp	1
6	• Screw	1
7	• Bracket	1
8	• Condensing Coil	1
9	• Tank Seal	1
10	• Tank Lid	1
11	• Bulkhead Fitting	1
12	• Equalization Tube	1
13	Cable Tie	1
14	Hose Clip Kit (includes 2 clips and pop rivets)	1



* Tank Seal on early units.
Replace with item #9

Model Numbers:	Serial Numbers:
M9/D (-020 thru -022)	V1464210 thru Present
M11/D (-020 thru -022)	V1479341 thru Present

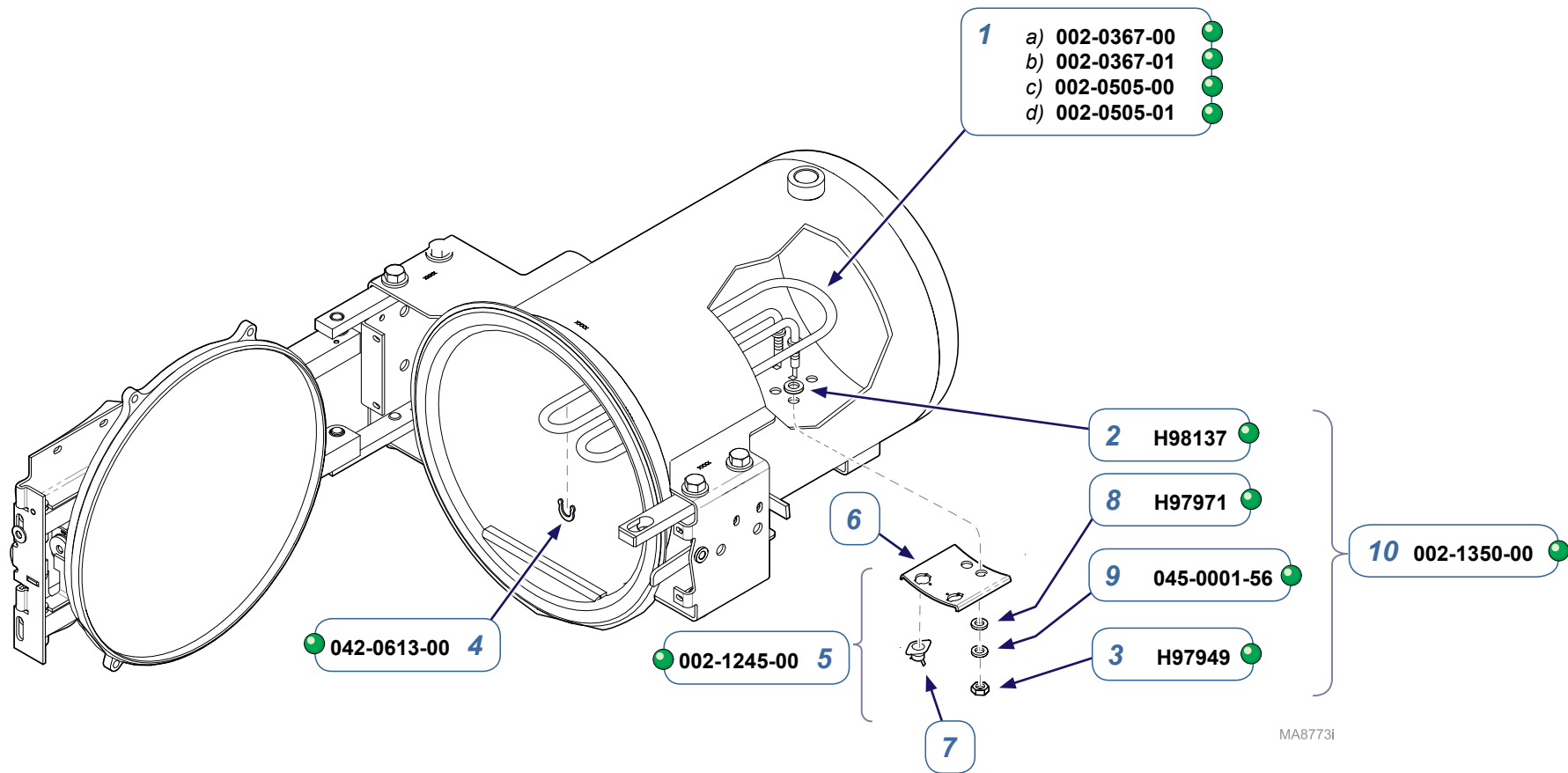
Reservoir / Drain Tube		
Item	Description	Qty.
1	Reservoir Assembly (includes items 2 thru 12)	1
2	• Grommet	2
3	• Tank	1
4	• Drain Tube	1
5	• Hose Clamp	1
6	• Screw	1
7	• Bracket	1
8	• Condensing Coil	1
9	• Tank Seal	1
10	• Tank Lid	1
11	• Bulkhead Fitting	1
12	• Equalization Tube	1
13	Cable Tie	1
14	Hose Clip Kit (includes 2 clips)	1



WARNING
Do not attempt to adjust, modify, or alter in any manner, any part of the pressure vessel. Serious injury and/or damage to the unit may result.

Door Components		
Item	Description	Qty.
1	Gasket Kit (includes 2 thru 4)	1
2	• Door Gasket	1
3	• Dam Gasket	1
4	• Gasket Ring	1
5	Screw	4
6	Door Spring (M11 qty 2) (M9 qty 1)	AR
7	Roll Pin	1
8	Housing	1
9	Insulation Pad	1
10	Inside Door Cover	1
11	Hole Plug	2
12	Screw (#10-24 x 3/8")	2
13	Shoulder Screw	2
14	Washer	2
15	Latch Bracket	1
16	Nut (1/4-20)	1
17	Lockwasher	1
18	Door Cover Kit (includes 19 & 20)	1
19	• Door Handle	1
20	• Door Cover	1
21	Steam Block Kit (includes 22)	1
22	• Snap Clip	4
23	Pressure Vessel Components (see Warning)	-

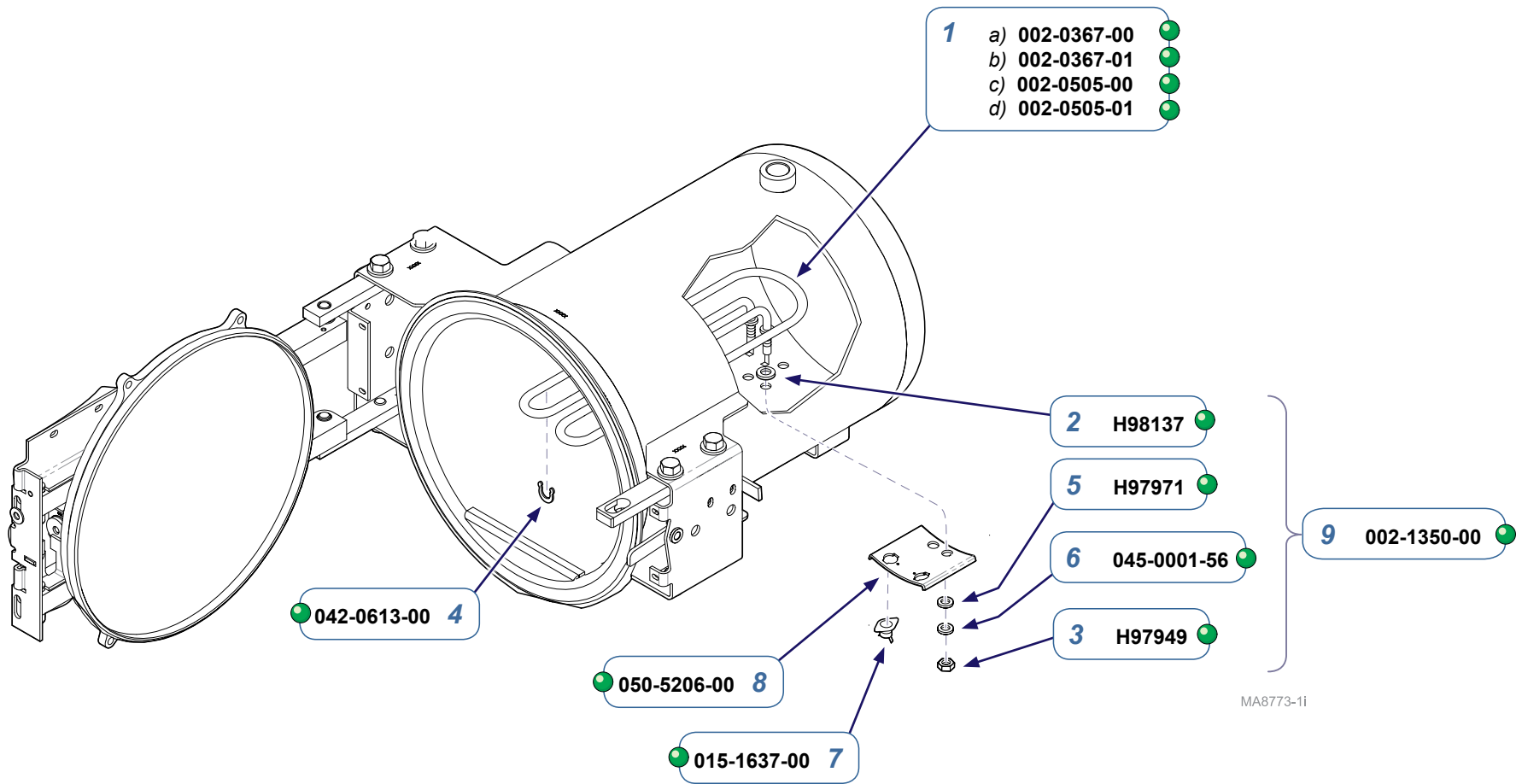
Page Applies To Model Numbers:	Serial Numbers:
M9/D (-020 thru -022) M11/D (-020 thru -022)	all



MA8773i

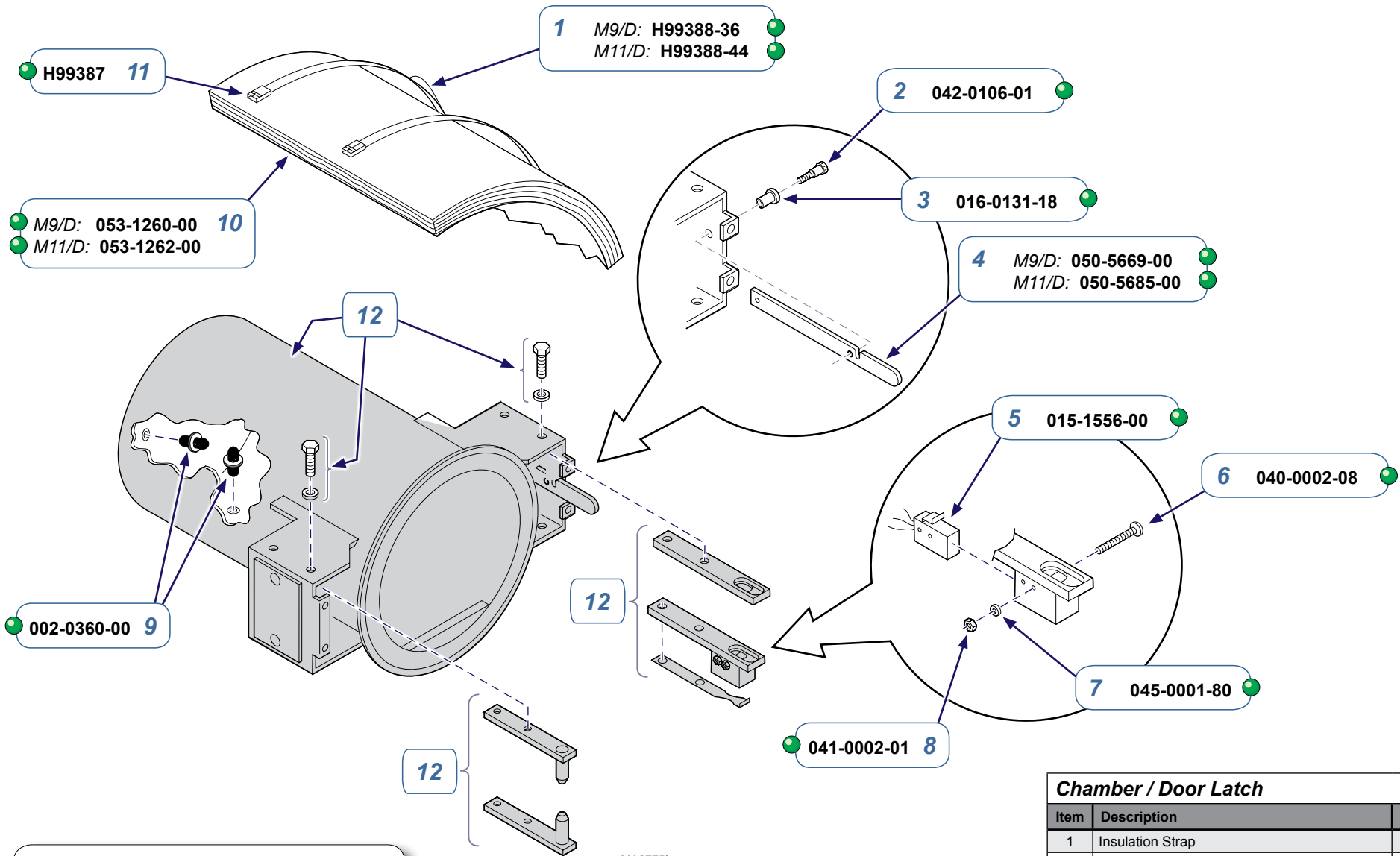
Heating Element / Hi-Limit Thermostats		
Item	Description	Qty.
1	Heating Element (includes items 2 thru 4) a) M9: 115V b) M9: 230V c) M11: 115V d) M11: 230V	1
2	• Gasket	2
3	• Nut	2
4	• Radial Grip Ring	4
5	Thermostat / Bracket Kit (includes items 3, 6, 7)	1
6	• Thermostat Bracket	1
7	• Hi-Limit Thermostat	2
8	Washer	2
9	Lockwasher (7/16", internal tooth)	2
10	Gasket Kit (includes items 2, 3, 8, & 9)	1

Page Applies To Model Numbers:	Serial Numbers:
M9/D (-020 thru -022) M11/D (-020 thru -022)	All prefixes: RN, RP, RR, RS, RT, RV, RW, RX, RY, RZ V2200 thru V400876



Heating Element / Hi-Limit Thermostats		
Item	Description	Qty.
1	Heating Element (includes items 2 thru 4) a) M9: 115V b) M9: 230V c) M11: 115V d) M11: 230V	1
2	• Gasket	2
3	• Nut	2
4	• Radial Grip Ring	4
5	Washer	2
6	Lockwasher (7/16", internal tooth)	2
7	Hi-Limit Thermostat	2
8	Thermostat Bracket	1
9	Gasket Kit (includes items 2, 3, 5, & 6)	1

Page Applies To Model Numbers:	Serial Numbers:
M9/D (-020 thru -022) M11/D (-020 thru -022)	V400877 thru present

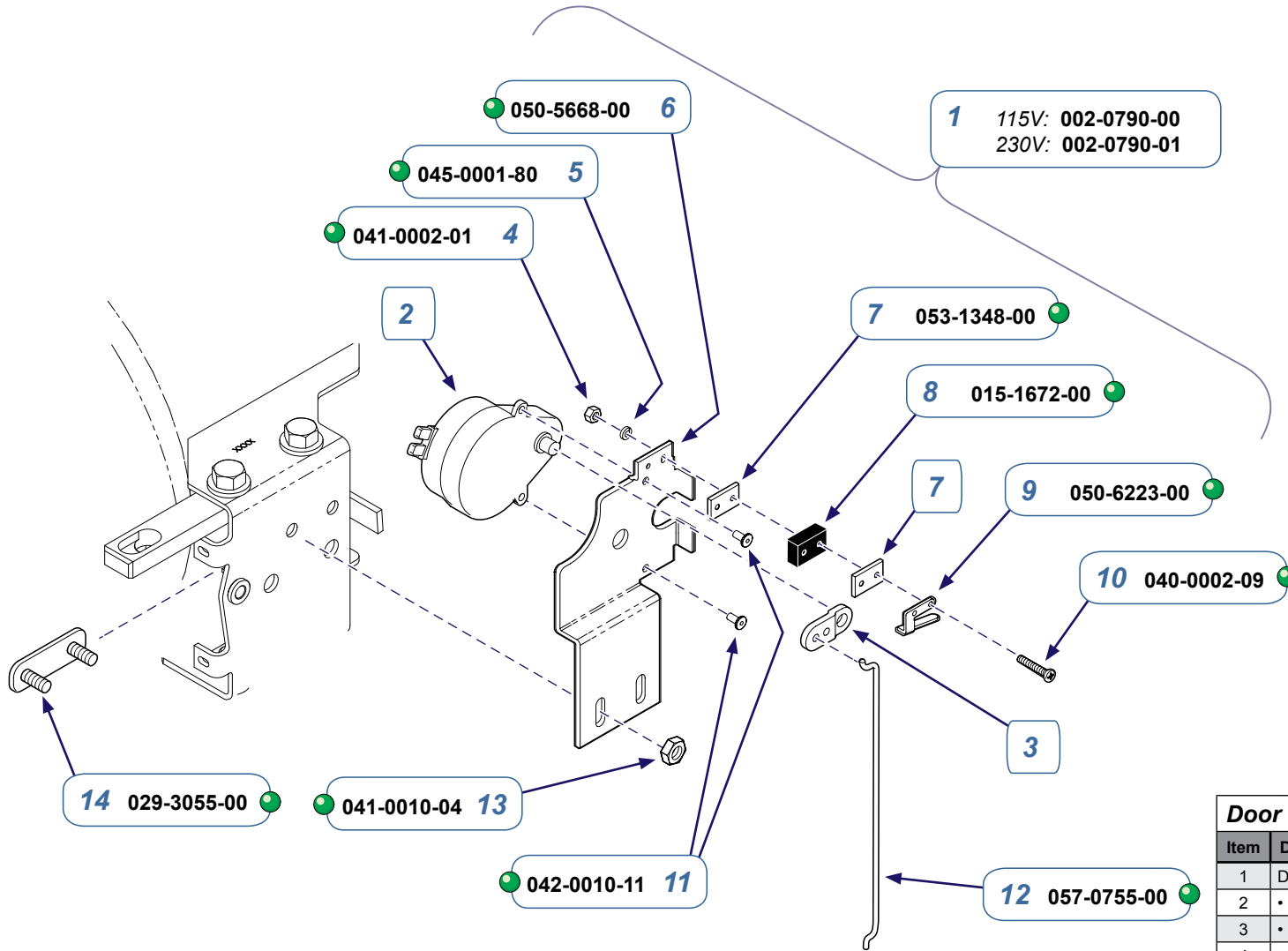


MA8775i

WARNING
 Do not attempt to adjust, modify, or alter in any manner, any part of the pressure vessel. Serious injury and/or damage to the unit may result.

Page Applies To Model Numbers:	Serial Numbers:
M9/D (-020 thru -022) M11/D (-020 thru -022)	all

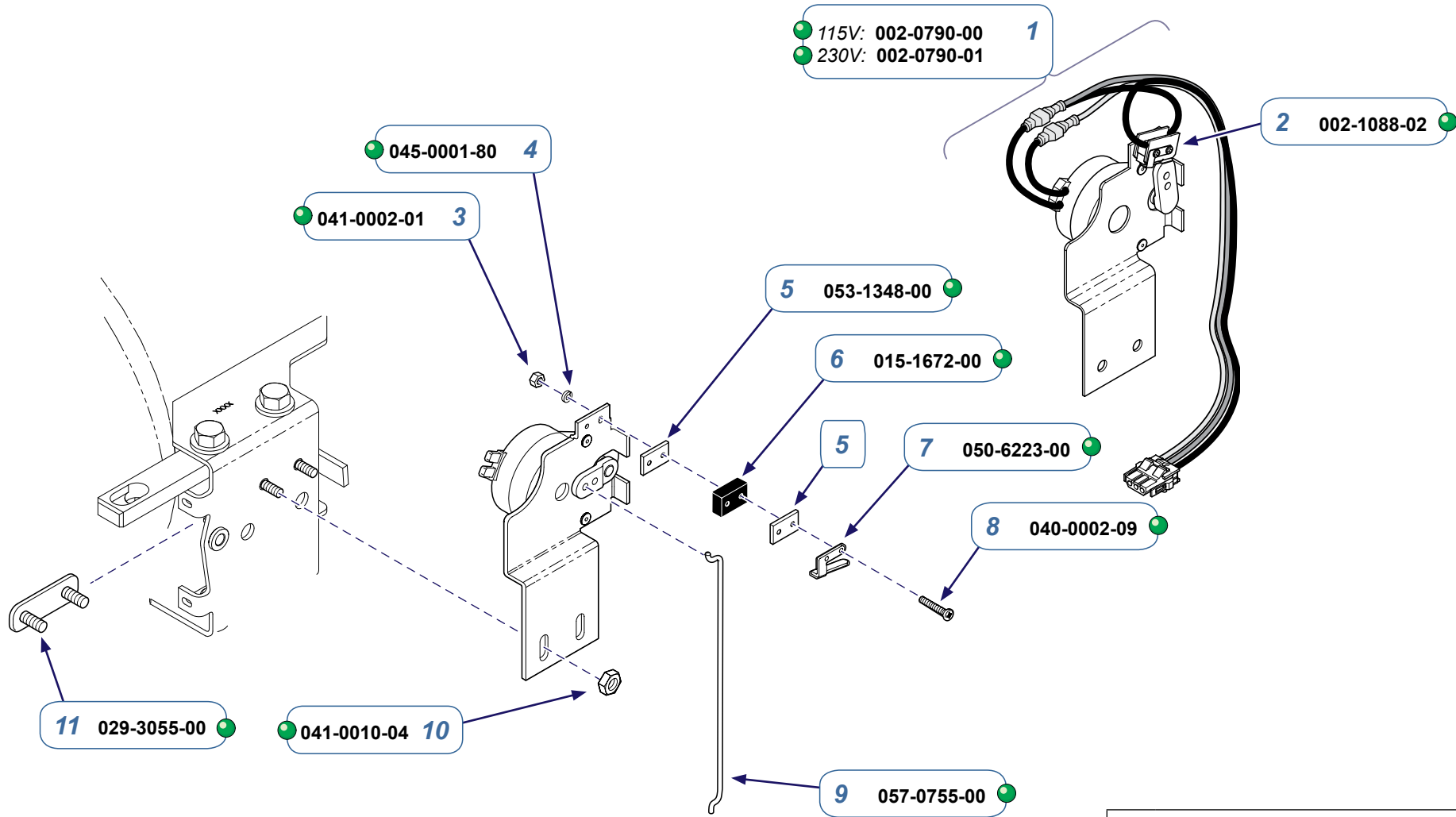
Chamber / Door Latch		
Item	Description	Qty.
1	Insulation Strap	2
2	Shoulder Screw (apply valve lubricant)	2
3	Flange Bearing	1
4	Latch Lever	1
5	Door Switch	1
6	Screws (#2-56 x 1")	2
7	Lockwasher (#2)	2
8	Nut (#2-56)	2
9	Chamber Filter	2
10	Insulation Wrapper	1
11	Strap Fastener	2
12	Pressure Vessel Components (see Warning)	-



MA8788i

Page Applies To Model Numbers:	Serial Numbers:
M9 (-020)	RN1000 thru RN1184, RN1236 thru RN1240
M9 (-021 / -022)	RP1000 thru RP1004, RR1000 thru RR1368
M11 (-020 / -021 / -022)	RS1000 thru RS1299, RT1000 thru RT1026, RV1000 thru RV1179

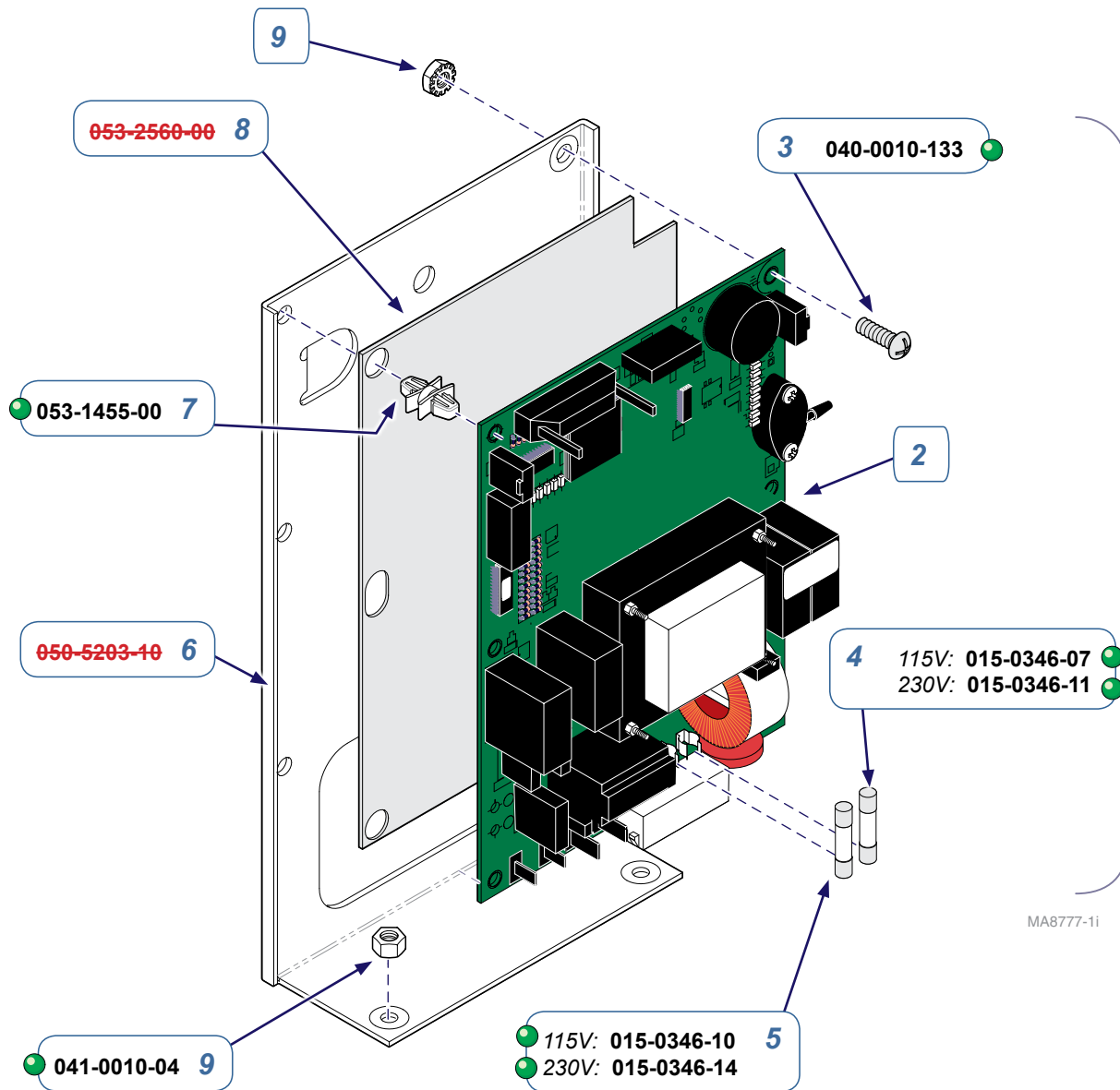
Door Motor System		
Item	Description	Qty.
1	Door Motor Kit (includes 2 thru 11)	1
2	• Door Motor (includes item 3)	1
3	•• Cam	1
4	• Nut	2
5	• Lockwasher (#2)	2
6	• Bracket	1
002-1088-02 Door Switch Mounting / Insulator Kit (includes items 4, 5, 7, thru 10)		
7	• Insulation	2
8	• Door Motor Switch (w/Harness)	1
9	• Switch Actuator	1
10	• Screw (#10-24 x 3/8")	2
11	• Pop Rivet	2
12	Connecting Rod	1
13	Nut (#10-24)	2
14	Stud Plate (used on early units w/o studs)	1



MA8788-1i

Page Applies To Model Numbers:	Serial Numbers:
M9 (-020)	RN1185 thru RN1235, RN1241 thru Present, V2200 thru Present
M9 (-021 / -022)	RP1005 thru Present, RR1369 thru Present, V2200 thru Present
M11 (-020 / -021 / -022)	RS1300 thru Present, RT1027 thru Present, RV1180 thru Present, V2200 thru Present

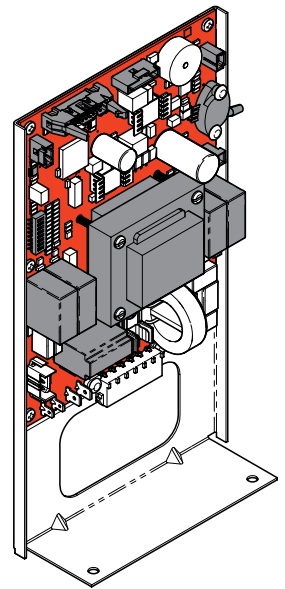
Door Motor System		
Item	Description	Qty.
1	Replacement Door Motor Kit (includes item 2)	1
2	Door Switch, Mounting & Insulator Kit (includes items 3 thru 8)	1
3	• Nut	2
4	• Lockwasher (#2)	2
5	• Insulation	2
6	• Door Motor Switch (w/Harness)	1
7	• Switch Actuator	1
8	• Screw (#10-24 x 3/8")	2
9	Connecting Rod	1
10	Nut (#10-24)	2
11	Stud Plate (used on early units w/o studs)	1



MA8777-1i

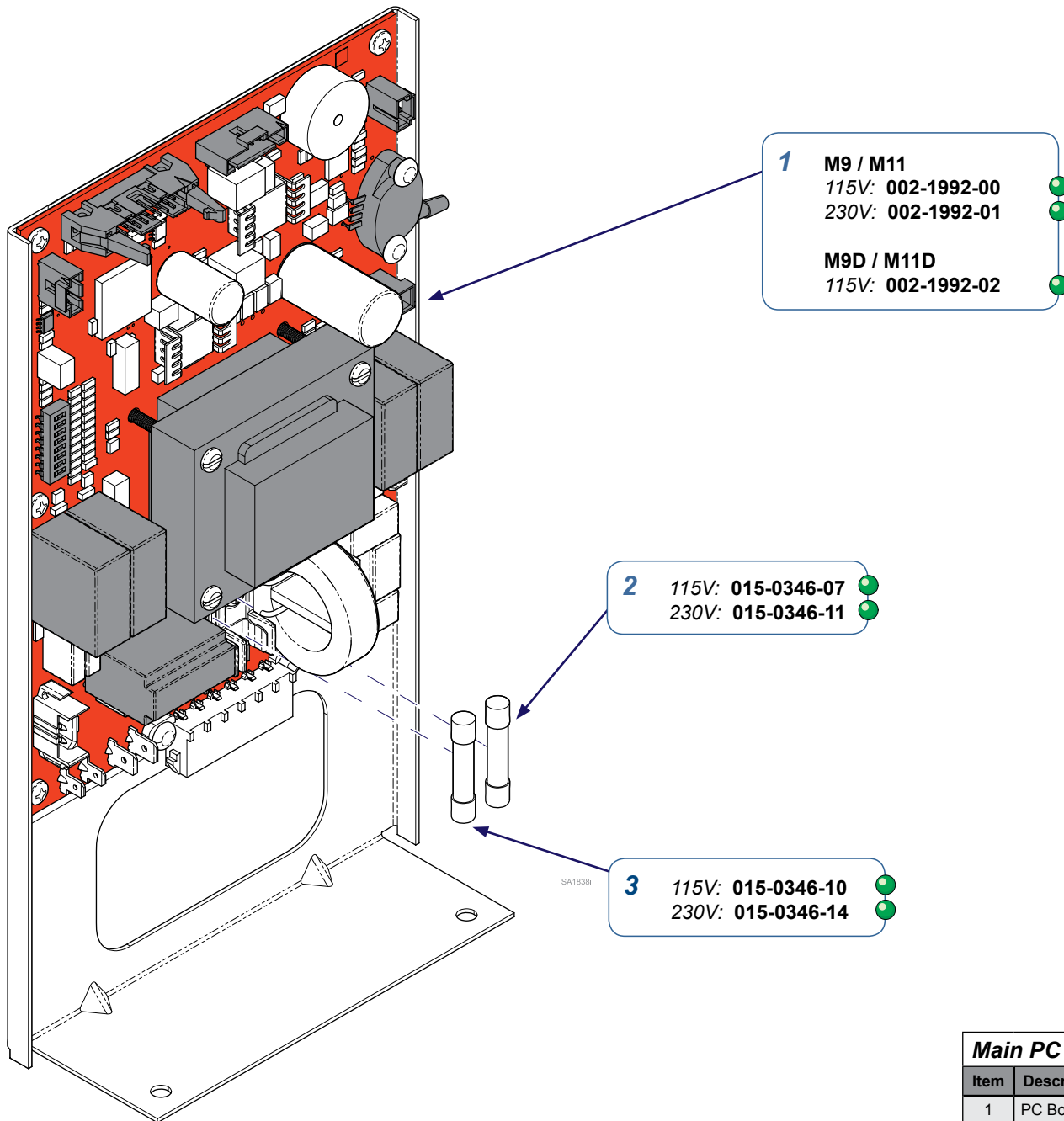
- 1** M9 / M11
115V: 002-1992-00
230V: 002-1992-01
- M9D / M11D
115V: 002-1992-02

- 2** M9 / M11
~~115V: 002-0762-00~~
~~230V: 002-0762-04~~
- M9D / M11D
~~115V: 002-0762-02~~



Page Applies To Model Numbers:	Serial Numbers:
M9/D (-020 thru -022) M11/D (-020 thru -022)	V2200 thru V1697649

Main PC Board		
Item	Description	Qty.
1	Replacement PC Board Kit	1
2	PC Board	1
3	• Screw (#10-24 x 5/8")	2
4	• F2 Fuse: 115V: (15 amp, 250V, 3 AB Fast Acting) 230V: (8 amp, 250V, Type F Fast Acting)	1
5	• F1 Fuse: 115V: (0.25 amp, 250V, 3 AG Slo-Blo) 230V: (0.125 amp, 250V, Medium-Time Lag)	1
6	• Mounting Bracket	1
7	• Standoff	4
8	• Insulator	1
9	• Nut (#10-24)	2



1 M9 / M11
 115V: 002-1992-00
 230V: 002-1992-01

M9D / M11D
 115V: 002-1992-02

2 115V: 015-0346-07
 230V: 015-0346-11

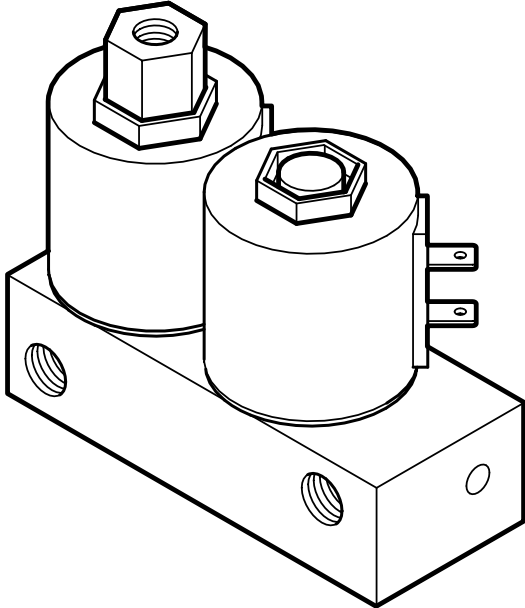
3 115V: 015-0346-10
 230V: 015-0346-14

Page Applies To Model Numbers:	Serial Numbers:
M9/D (-020 thru -022) M11/D (-020 thru -022)	V1697650 thru Present

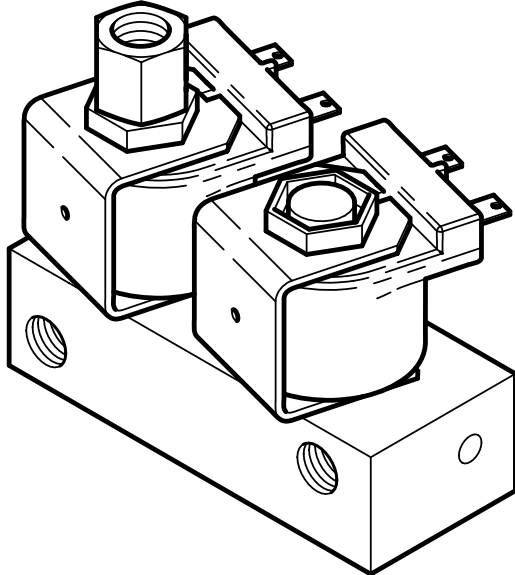
Main PC Board		
Item	Description	Qty.
1	PC Board Kit (includes 2 thru 10)	1
2	• F2 Fuse: 115V: (15 amp, 250V, 3 AB Fast Acting) 230V: (8 amp, 250V, Type F Fast Acting)	1
3	• F1 Fuse: 115V: (0.25 amp, 250V, 3 AG Slo-Blo) 230V: (0.125 amp, 250V, Medium-Time Lag)	1

Fill / Vent Valve Identification

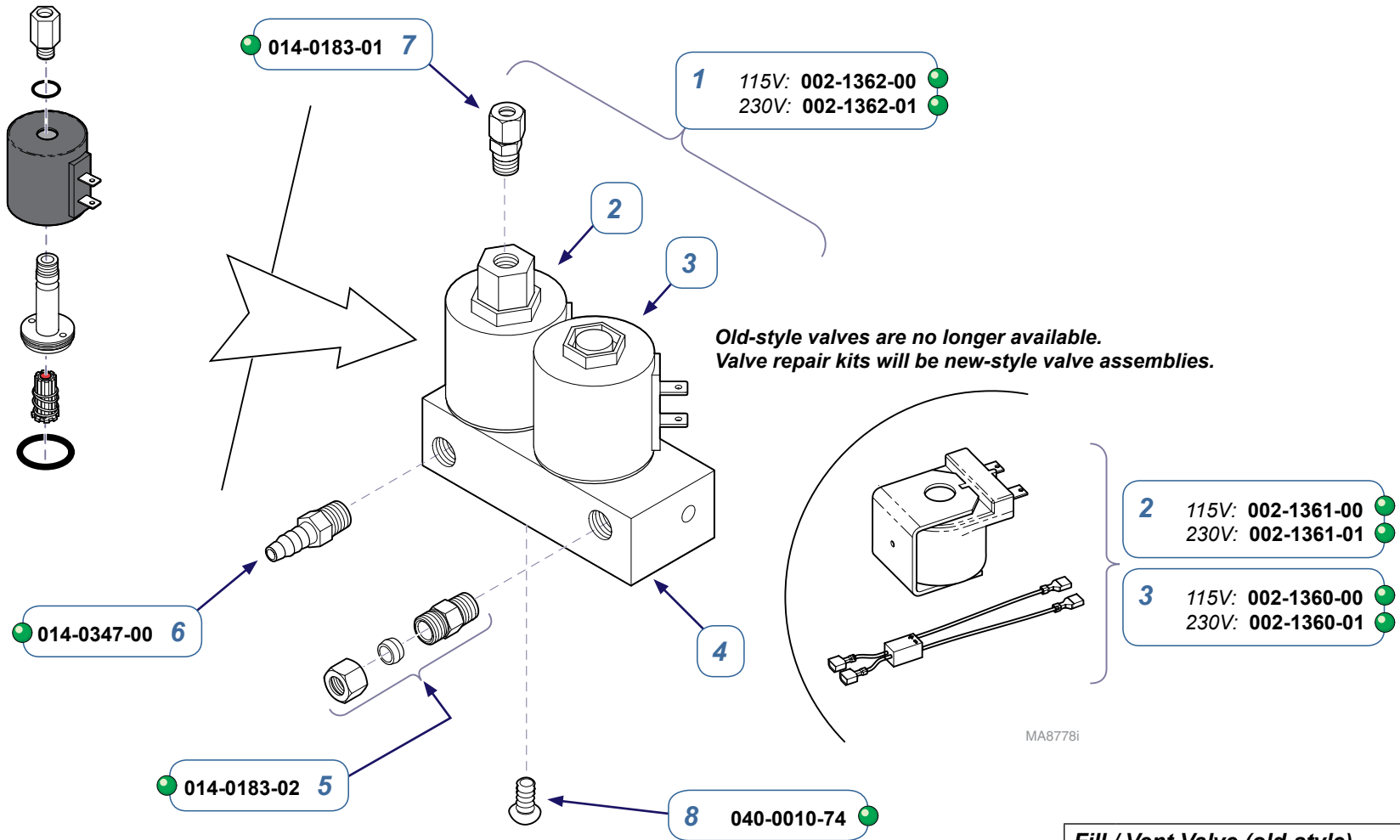
Fill / Vent Valve (Old-style)



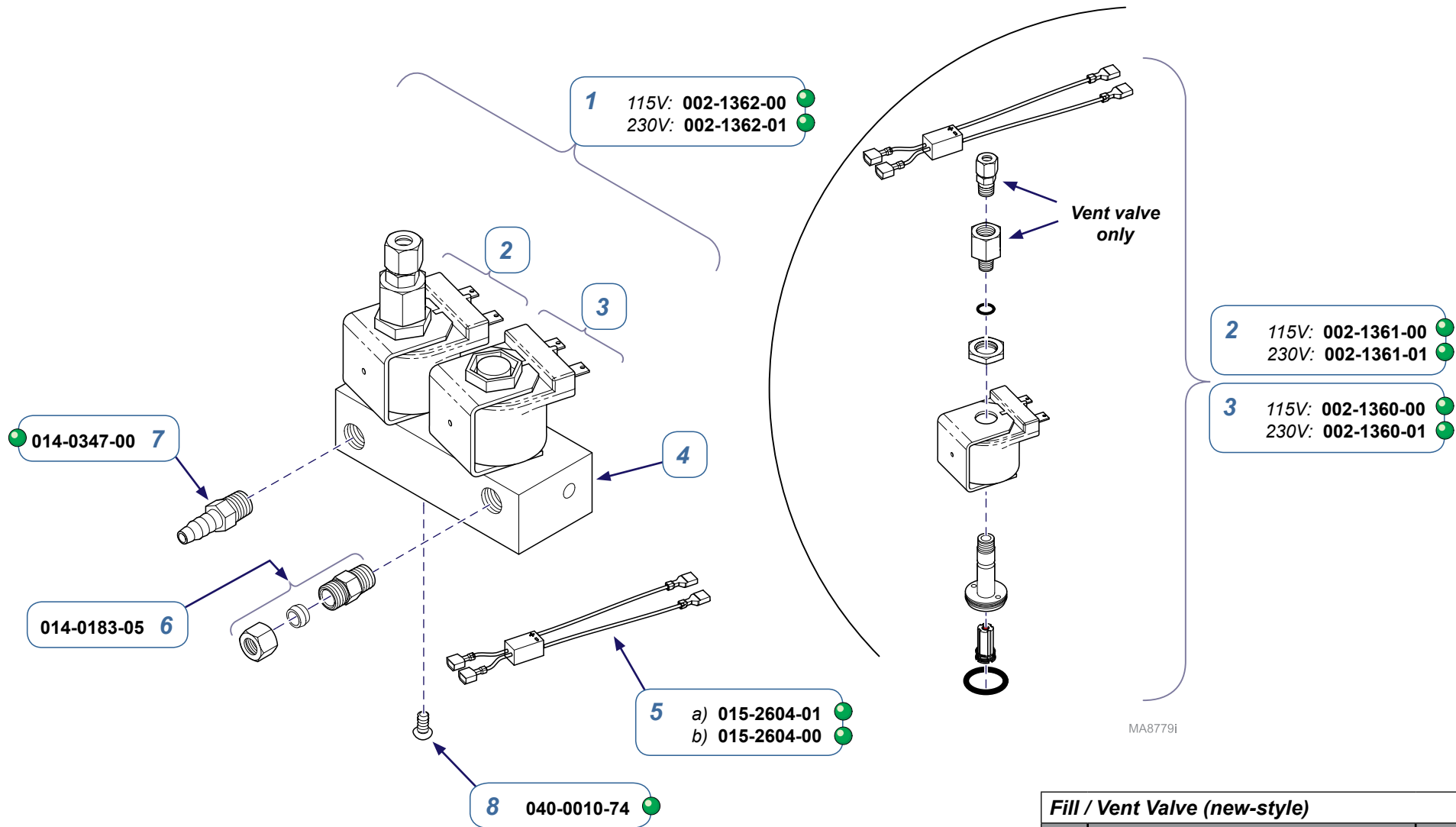
Fill / Vent Valve (New-style)



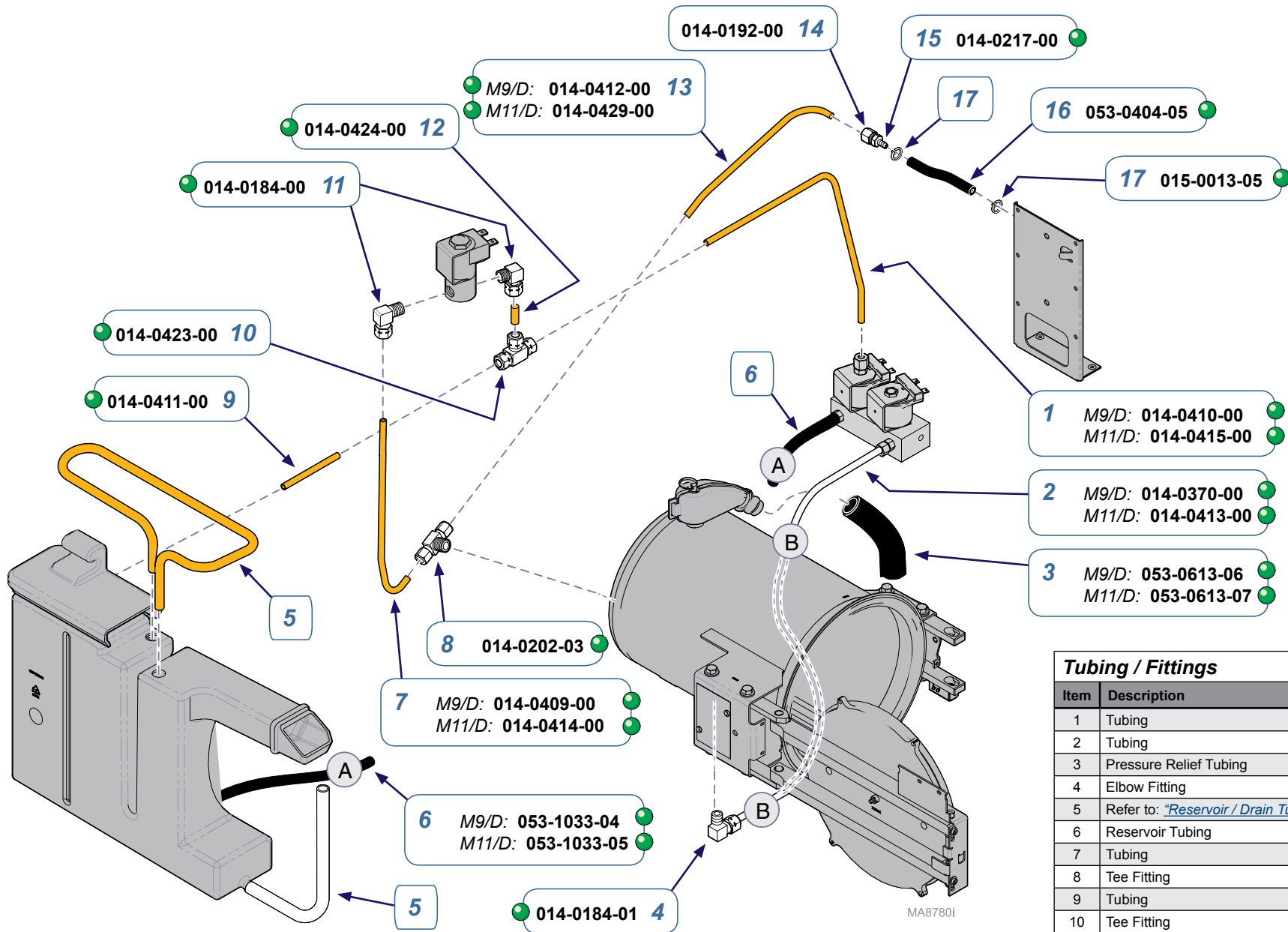
Component parts for old-style valves are no longer available. Parts shown for reference only.



Fill / Vent Valve (old-style)		
Item	Description	Qty.
1	Fill / Vent Valve Assembly (includes 2 thru 7)	1
2	• Vent Valve Repair Kit	1
3	• Fill Valve Repair Kit	1
4	• Manifold Block (not available)	1
5	• 3/8" Fitting	1
6	• Barb Fitting	1
7	• 1/4" Fitting	1
8	Screw (#10-32 x 3/8")	1



Fill / Vent Valve (new-style)		
Item	Description	Qty.
1	Fill / Vent Valve Assembly (includes 2 thru 7)	1
2	• Vent Valve Repair Kit	1
3	• Fill Valve Repair Kit	1
4	• Manifold Block (not available)	1
5	• Wiring Harness: a) for Vent Valve (red) b) for Fill Valve (black)	1
6	• 3/8" Fitting	1
7	• Barb Fitting	1
8	Screw (#10-32 x 3/8")	1



MA8780i

Tubing / Fittings

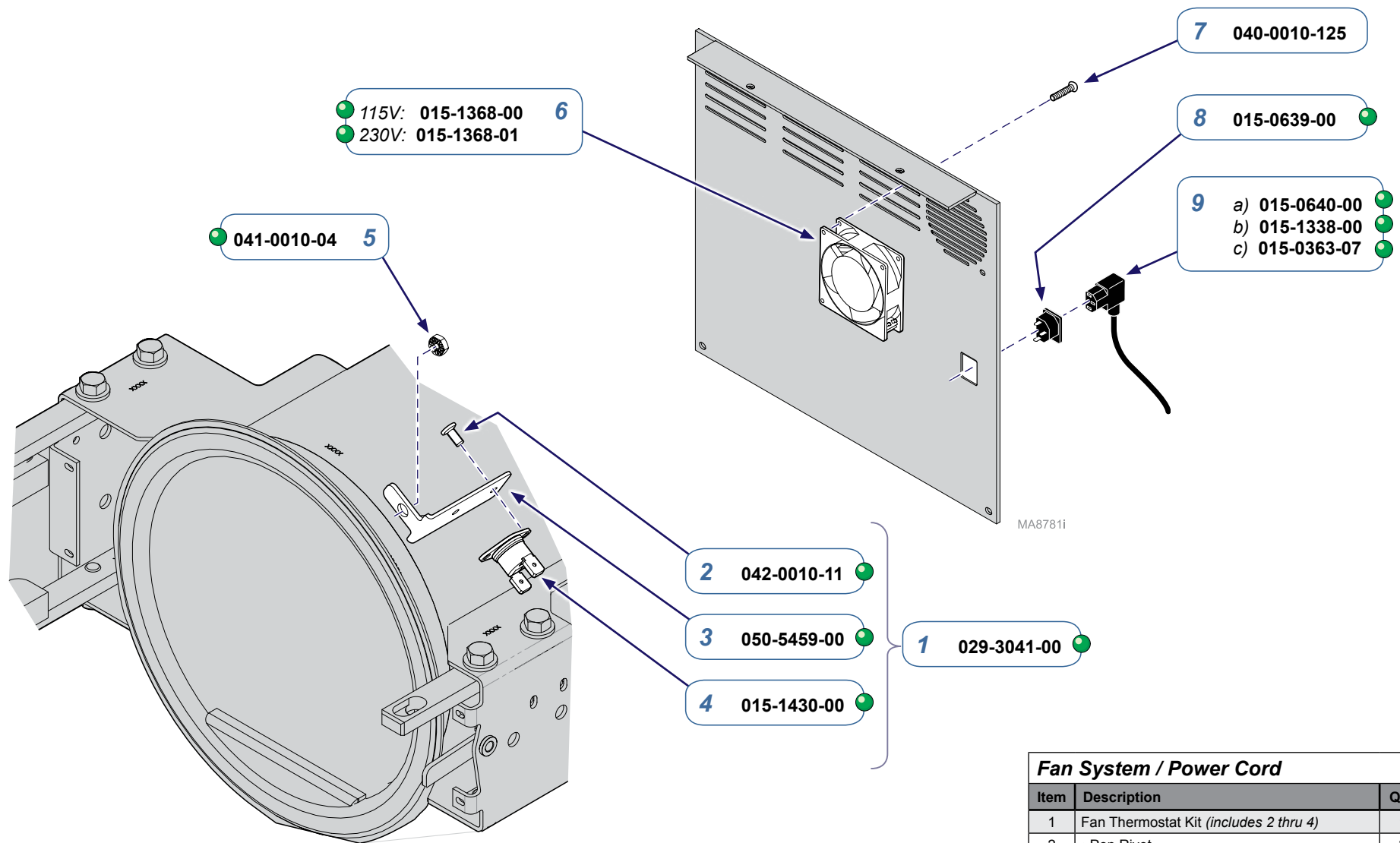
Item	Description	Qty.
1	Tubing	1
2	Tubing	1
3	Pressure Relief Tubing	1
4	Elbow Fitting	1
5	Refer to: " Reservoir / Drain Tube "	Ref
6	Reservoir Tubing	1
7	Tubing	1
8	Tee Fitting	1
9	Tubing	1
10	Tee Fitting	1
11	Elbow Fitting	2
12	Tubing	1
13	Tubing	1
14	Compression Nut	1
15	Compression Connector	1
16	Tubing	1
17	Hi-Temp Cable Tie	2

Page Applies To Model Numbers:

M9/D (-020 thru -022)
M11/D (-020 thru -022)

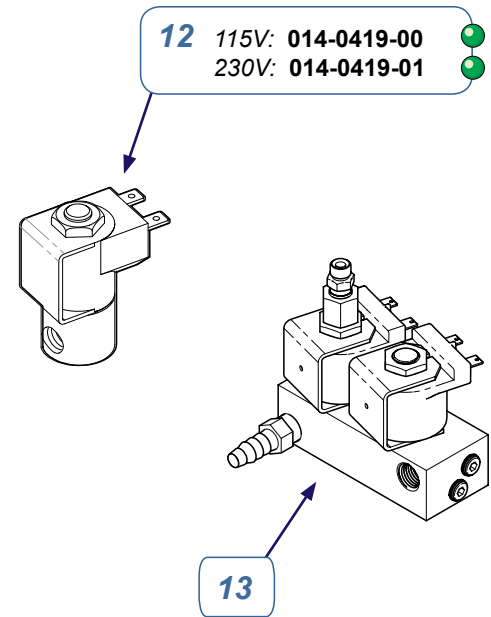
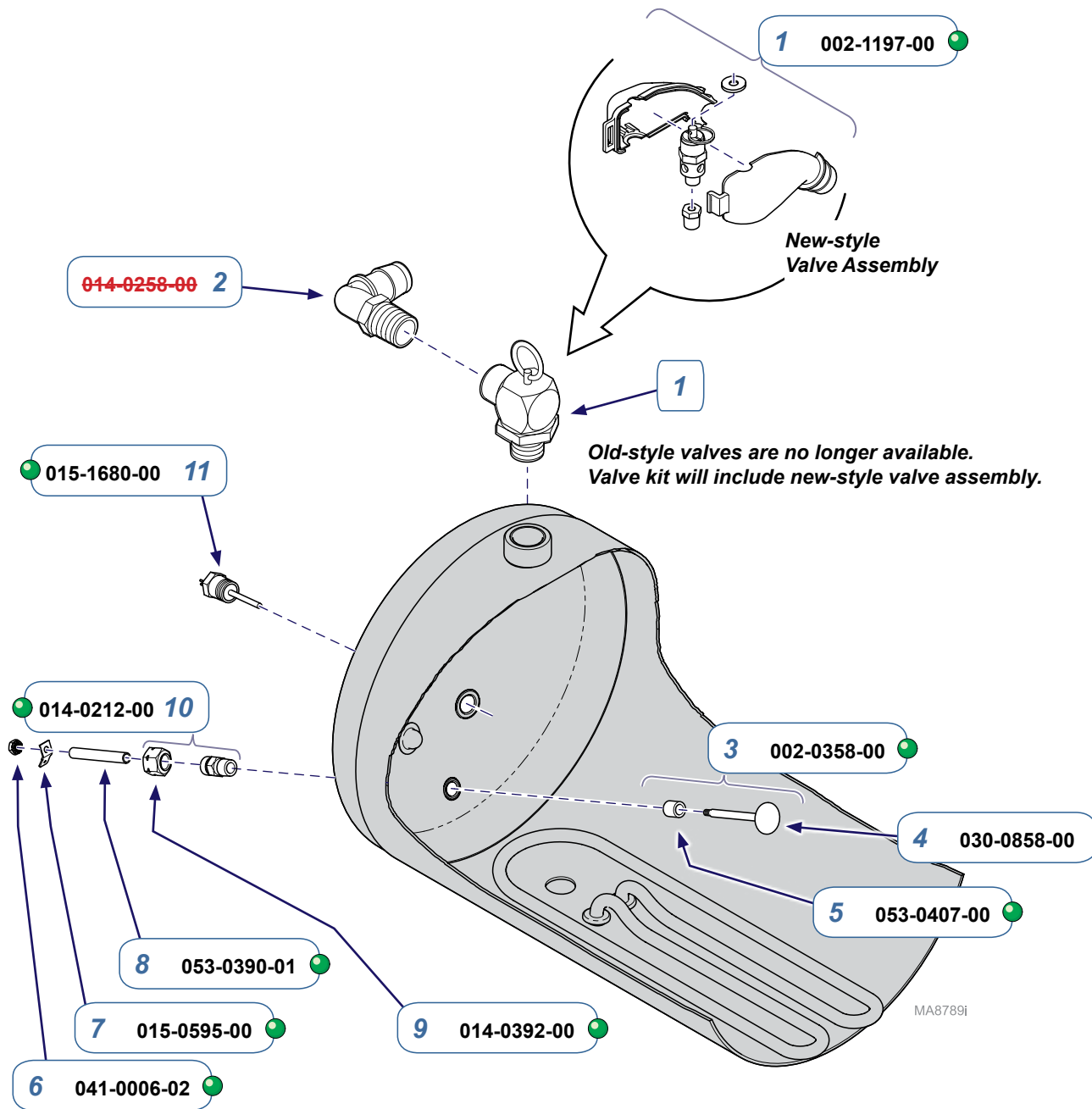
Serial Numbers:

all



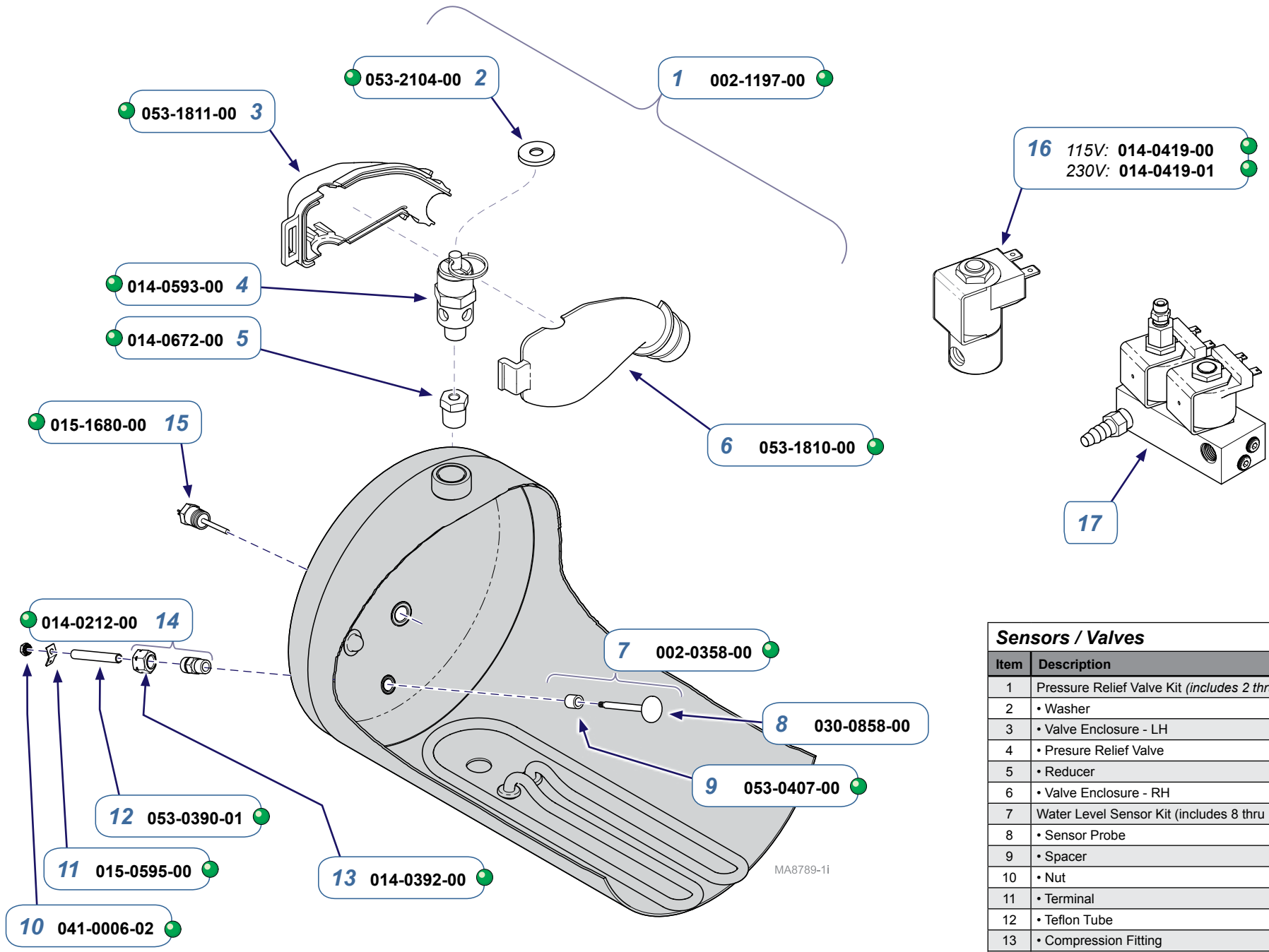
Page Applies To Model Numbers:	Serial Numbers:
M9/D (-020 thru -022) M11/D (-020 thru -022)	all

Item	Description	Qty.
1	Fan Thermostat Kit (includes 2 thru 4)	1
2	• Pop Rivet	2
3	• Bracket	1
4	• Thermostat	1
5	Nut (#10-24)	1
6	Fan	1
7	Screw (#10 x 1/2", self-tapping)	2
8	Power Cord Receptacle	1
9	Power Cord: a) 115V: 90° Plug (shown) b) 115V: Straight Plug (not shown) c) 230V	1



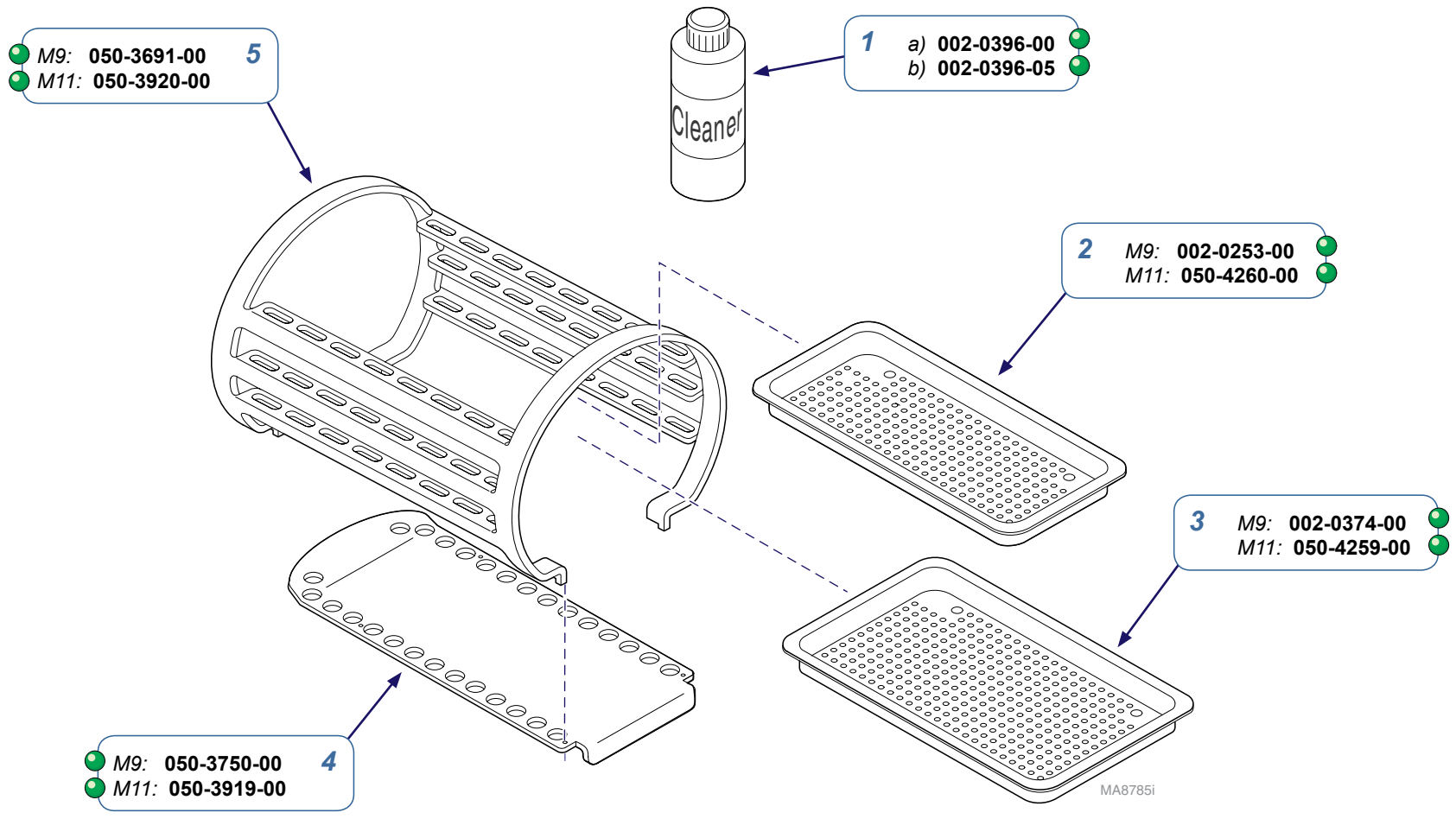
Page Applies To Model Numbers:	Serial Numbers:
M9/D (-020 thru -022) M11/D (-020 thru -022)	All prefixes: RN, RP, RR, RS, RT, RV, RW, RX, RY, RZ V2200 thru V721880

Sensors / Valves		
Item	Description	Qty.
1	Pressure Relief Valve Kit <i>(includes new-style assembly)</i>	1
2	Elbow Fitting <i>(for old-style valve)</i>	1
3	Water Level Sensor <i>(includes 4 thru 9)</i>	1
4	• Sensor Probe	1
5	• Spacer	
6	• Nut	1
7	• Terminal	1
8	• Teflon Tube	1
9	• Compression Fitting	1
10	Connector <i>(includes item #9)</i>	1
11	Temperature Sensor	1
12	Air Valve	1
13	Refer to: " Fill / Vent Valve "	Ref



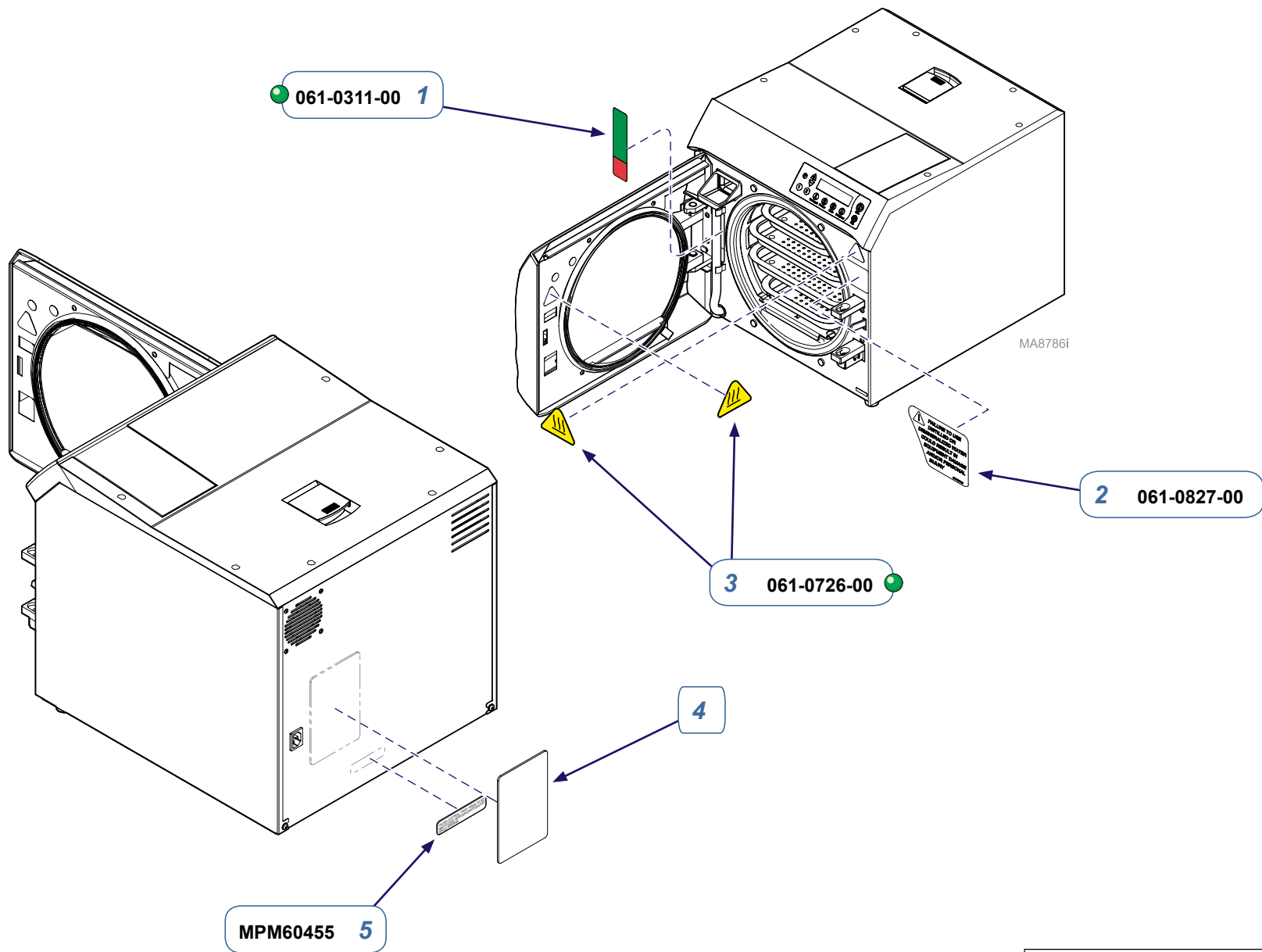
Page Applies To Model Numbers:	Serial Numbers:
M9/D (-020 thru -022) M11/D (-020 thru -022)	V721881 thru Present

Sensors / Valves		
Item	Description	Qty.
1	Pressure Relief Valve Kit (includes 2 thru 6)	1
2	• Washer	1
3	• Valve Enclosure - LH	1
4	• Pressure Relief Valve	1
5	• Reducer	1
6	• Valve Enclosure - RH	1
7	Water Level Sensor Kit (includes 8 thru 13)	1
8	• Sensor Probe	1
9	• Spacer	1
10	• Nut	1
11	• Terminal	1
12	• Teflon Tube	1
13	• Compression Fitting	1
14	Connector (includes item # 13)	1
15	Temperature Sensor	1
16	Air Valve	1
17	Refer to: "Fill / Vent Valve"	Ref



Page Applies To Model Numbers:	Serial Numbers:
M9/D (-020 thru -022) M11/D (-020 thru -022)	all

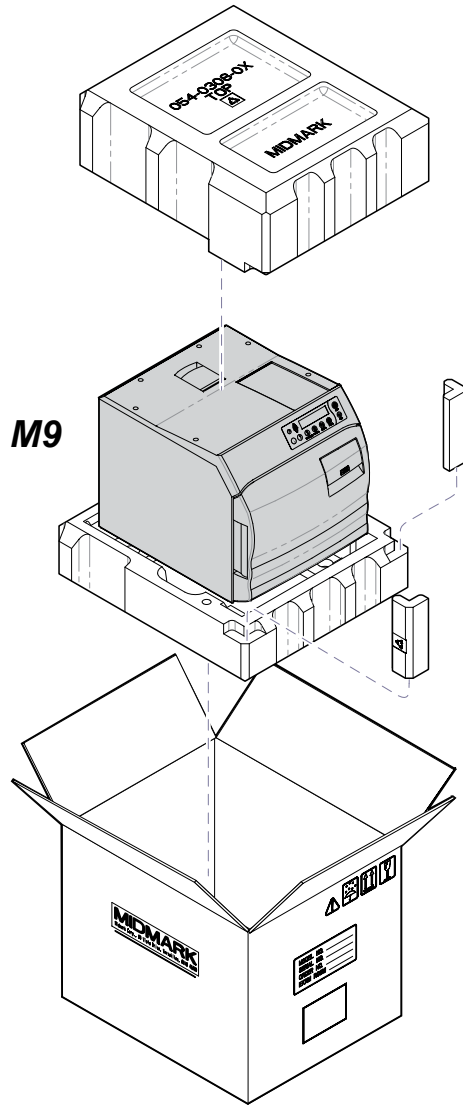
Trays / Racks		
Item	Description	Qty.
1	Speed-Clean (includes SDS) a) one bottle b) one case (12 bottles)	1
2	Small Tray	2
3	Large Tray	2
4	Tray Plate	1
5	Tray Rack	1



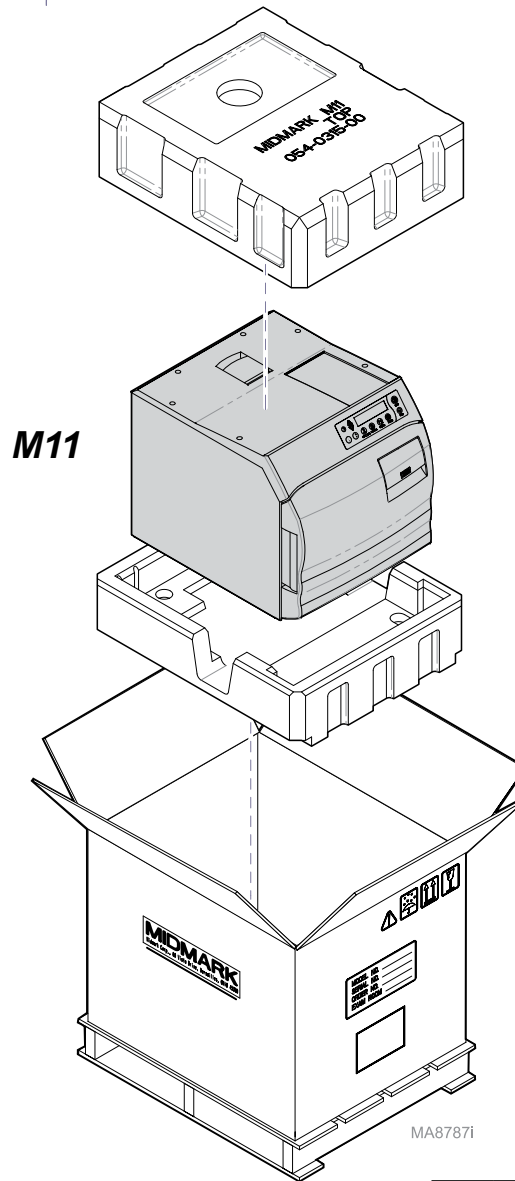
Page Applies To Model Numbers:	Serial Numbers:
M9/D (-020 thru -022) M11/D (-020 thru -022)	all

Labels / Decals		
Item	Description	Qty.
1	Water Level Label	1
2	Distilled Water Label	1
3	Hot Surface Label	2
4	Serial Number Label	1
5	Caution Label	1

1 M9: 002-0785-00



2 002-0784-00



Page Applies To Model Numbers:	Serial Numbers:
M9/D (-020 thru -022) M11/D (-020 thru -022)	all

Packaging		
Item	Description	Qty.
1	M9 Packaging Bundle (includes all packaging items shown)	1
2	M11 Packaging Bundle (includes all packaging items shown)	1