



MAINTENANCE MANUAL

ELECTRIC MED/SURG BED Model FL28EX



TECHNICAL ASSISTANCE AND PARTS

Canada: 1 888 233-6888

United States: 1 800 327 0770

Outside Canada and the United States: Contact your local representative

Manufactured by Stryker

72-0905E REV A MM FL28EX
F15-44-B

December 2005
Printed in Canada

TABLE OF CONTENTS

1. INTRODUCTION.....	5
1.1 Specifications	5
1.2 Technical Support.....	6
1.3 Warning, Caution, Note Definition.....	6
1.4 Static Discharge Precautions.....	6
1.5 Warranty.....	7
Limited Warranty	7
To Obtain Service and/or Parts	7
Return Authorization.....	8
Damaged Merchandise	8
1.6 Symbols.....	8
2. PREVENTATIVE MAINTENANCE	9
2.1 Bed Cleaning and Mattress Care	9
2.2 Lubrication Requirements.....	10
Actuator Screw Lubrication.....	10
2.3 Preventative Maintenance Program.....	12
Annual Checklist.....	12
Recommended Spare Parts	13
3. TROUBLESHOOTING	15
3.1 Troubleshooting Guide.....	15
4. MAINTENANCE PROCEDURES	18
4.1 Siderail Maintenance Procedures	18
Head Siderail Assembly Replacement.....	18
Head Rail Replacement.....	19
Head Siderail Mechanism Replacement.....	19
Foot Siderail Assembly Replacement.....	19
Foot Rail Replacement.....	20
Foot Siderail Mechanism Replacement	20
Siderail Control Fascia Replacement.....	21
Siderail Outer Control Board Replacement.....	22
Siderail Inner Control Board Replacement.....	23
Speakerphone Replacement (Optional).....	24
4.2 Foot Board Maintenance Procedures.....	25
Foot End Control Fascia Replacement	25
Weigh System LCD Display Replacement.....	25
Foot End Control Board Replacement	26
4.3 Mattress Support Maintenance Procedures	27
Foot Section Replacement	27
Thigh Section Replacement.....	28
Seat Section Replacement	28
Head Section Replacement.....	29
Fowler Actuator Replacement	30
Knee Gatch Actuator Replacement	32

Hi-Lo Actuator Replacement	33
Motor Control Board Replacement	35
Nurse Call (Optional)/GEN III Pendant Control (Optional) Control Board Replacement	36
Power Connector Replacement	37
Power Connector Fuse Replacement.....	37
Scale Control Board/Bed Exit Buzzer (Optional) Replacement.....	38
Toroidal Transformer Replacement (100/200/220/240V International Series Beds -) ..	39
Load Cell Replacement.....	40
Scale Calibration.....	41
Verifying the Scale Accuracy	41
Scale Calibration	42
Cardiac Chair and Auto Contour Micro Switch Replacement	44
Cardiac Chair Micro Switch.....	44
Micro Switch Common to the Cardiac Chair and Auto Contour Mechanisms	45
Auto Contour Micro Switch	45
CPR Micro Switch Replacement	46
Micro Switch Attached to the Head Section Lever	46
Micro Switch Attached to the Frame.	47
CPR Activation Cable Replacement.....	47
CPR Pneumatic Cylinder	47
4.4 Base Maintenance Procedures.....	49
Brake/Steer Pedal Replacement	49
Steer Wheel Caster Replacement.....	50
Steer Wheel Assembly Replacement.....	50
Steer Wheel Swing Arm Assembly Replacement.....	51
Bed Caster Replacement	52
Brake Rod Replacement	53
Appendix A: Circuit Diagrams	54
Appendix B: Maintenance Menu: Signification of Error Codes and Digital Inputs	59

1. INTRODUCTION

This manual is designed to assist in the servicing of the Stryker's FL28EX Med/Surg Beds. Read it thoroughly before beginning any service on the bed. Qualified maintenance personnel should be able to refer to this manual at all time when servicing the bed.

This Maintenance Manual is an integral part of the bed and should be included if the bed is sold or transferred.

1.1 SPECIFICATIONS *

Safe Working Load**	500 lb (227 kg)
Scale System - Capacity - Accuracy - Operating Angular Range	Patients weighing up to 500 lb (227 kg) ± 2 % for weight from 100 to 500 lb (45.3 to 227 kg) ± 2 lb for weight under 100 lb (45.3 kg) -12° to +12°
Overall Length/Width - Siderails Up - Siderails Down	94 5/8 x 40" (240.34 cm x 101.6 cm) 94 5/8 x 39" (240.34 cm x 99.06 cm)
Weight w/Boards	472 lb (214.1 kg)
Patient Sleep Surface	35 x 80" (89 x 203 cm) adjustable to 82" (208 cm) and 84" (213 cm)
Recommended Mattress Size	35 x 80" (89 x 203 cm); 35 x 82" (89 x 208 cm); 35 x 84" (89 x 213 cm)
Mattress Maximum Thickness	6" (15.24 cm)
Min/Max Bed Height	14 1/2 to 29" (36.8 to 73.7 cm)
Fowler Angle	0 to 61°
Knee Gatch Angle - with Auto Contour - without Auto Contour	0 to 24° 0 to 32°
Trendelenburg/Reverse Trendelenburg	+14 to -14°
Environmental Conditions - Transport and Storage - Ambient Temperature - Relative Humidity - Atmospheric Pressure - Operating *** - Ambient Temperature - Relative Humidity - Atmospheric Pressure	-40 to 70°C (-40 to 158°F) 10 to 100% 500 to 1060 hPa 18.3 to 26.7°C (65 to 80°F) 20 to 80% without condensation 700 to 1060 hPa
Electrical Requirements**** - all electrical requirements meet CSA C22.2 No. 601.1, UL 60601-1 and IEC 60601-1, 60601-2-38 specifications.	100V~, 50-60Hz, 7.5A - Two 250V, 10A Fuses 120V~, 50-60Hz, 4.0A (9.8A w/120V Optional Auxiliary Outlet) - Two 250V, 10A Fuses 200V~, 50-60Hz, 3.2A -Two 250V, 6.3A Fuses 220V~, 50-60Hz, 2.9A -Two 250V, 6.3A Fuses 240V~, 50-60Hz, 2.7A -Two 250V, 6.3A Fuses

* Stryker pays special attention to product improvement and reserves the right to change specifications without notice.

** The Safe Working Load specified is the sum of the mattress and accessory weight (100 lb/45.4 kg) and the patient's weight.

*** Operating environment recommended to ensure the scale system precision.

**** The device has a 10% duty cycle.

1.2 TECHNICAL SUPPORT

For questions regarding this product, contact the following Technical Service department or your local representative:

Stryker Canada
1 888 233-6888
45, Innovation Drive
Hamilton, Ontario, L9H 7L8
Canada

Stryker Medical
1 800 327-0770
3800, East Centre Avenue
Portage, MI 49002
USA

1.3 WARNING, CAUTION, NOTE DEFINITION

The words WARNING, CAUTION and NOTE carry special meanings and should be carefully reviewed.



WARNING

The personal safety of the patient or user may be involved. Disregarding this information could result in injury to the patient or user.



CAUTION

These instructions point out special procedures or precautions that must be followed to avoid damaging the equipment.

NOTE

Notes provide special information to make maintenance easier or important instruction clearer.

1.4 STATIC DISCHARGE PRECAUTIONS

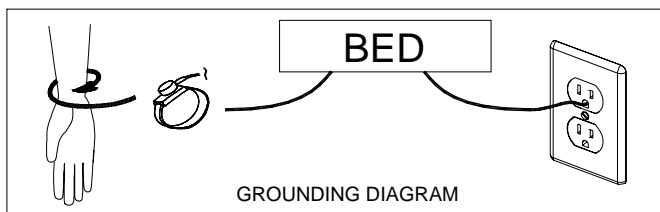
The electronic circuits of the bed are protected from static electricity damage only while the bed is assembled. It is extremely important that all service personnel always use adequate static protection when servicing the electronic components of the bed.

Static Protection Equipment

The necessary equipment for a proper static protection is:

- 1 static wrist strap
- 1 grounding plug
- 1 test lead with a banana plug on one end and an alligator clip on the other.

Static Protection Procedure



1. Unplug the bed power cord from the wall outlet.
2. Insert the grounding plug into a properly grounded hospital grade wall receptacle. Plug the banana plug of the test lead into the receptacle on the grounding plug. Connect the alligator clip on the other end of the test lead to a ground point on the bed.
3. Place the static control wrist strap on your wrist. Connect the clip at the other end of the wrist strap cord to a ground point on the bed.

1.5 WARRANTY

LIMITED WARRANTY

All Stryker products are guaranteed against material or manufacturing defects, improper operation of mechanisms, and premature wear of bed components under normal use conditions.

For questions regarding warranty, please contact the Technical Service department (see section 1.2) or your local representative.

TO OBTAIN SERVICE AND/OR PARTS

- **To Require Service**

For an on-site diagnosis of a malfunction by one of our Field Service Representative, contact the Technical Service department (see section 1.2) or your local representative.

- **To Order Parts**

Contact the Technical Service department (see section 1.2) or your local representative and provide the following information that can be found on the serial number plate and the manufacturer's nameplate affixed respectively to the right side of the frame at the foot end of the bed, and on the right side of the head end casing:

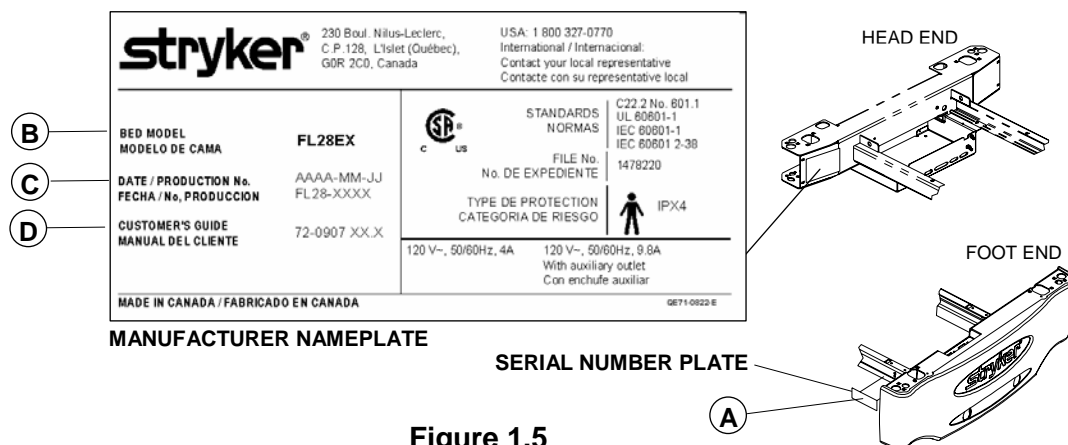


Figure 1.5

- From the serial plate, write down the serial number (A).
- From the manufacturer's nameplate, write down the bed model (B), the production number (C), ex. FL28-XXXX, and the Customer's Guide number (D).
- Consult the parts lists and the drawings contained in the Customer Guide third section, "Parts Lists", to identify the defective part. Write down the information.
- Write down a description of the problem encountered while using the equipment.

NOTE

It is very important that you refer to the parts lists and drawings of the Parts Lists manual specific to the bed needing repair.

The Technical Service representative can help you identify the parts to be replaced. However, if an error occurs when ordering, the user remains responsible for the parts ordered.

Stryker will take back wrong parts ordered but will not assume shipping charges, and restocking fees will be charged to the user unless a Field Service Representative has been requested for an on-site diagnosis of the malfunction.

RETURN AUTHORIZATION

Merchandise cannot be returned without approval from the Technical Service department. An authorization number will be provided, which must be clearly printed on the returned merchandise. Stryker reserves the right to charge shipping and restocking fees on returned items.

DAMAGED MERCHANDISE

Claims for damaged merchandise must be made with the carrier within fifteen (15) days of receipt of merchandise. **DO NOT ACCEPT DAMAGED SHIPMENTS UNLESS SUCH DAMAGE IS NOTED ON THE DELIVERY RECEIPT AT THE TIME OF RECEIPT.** Upon prompt notification, Stryker will file a freight claim with the appropriate carrier for damages incurred. Claims will be limited in amount to the actual replacement cost. In the event that this information is not received by Stryker within the fifteen (15) day period following the delivery of the merchandise, or the damage was not noted on the delivery notice at the time of receipt, the customer will be responsible for payment of the original invoice in full.

Claims for any short shipment must be made within five (5) days of invoice.

1.6 SYMBOLS



Warning, refer to accompanying documents



Fuse rating for 100V~ and 120V~ electric systems



Fuse rating for 200V~, 220V~ and 240V~ electric systems



Protective Earth (ground)



Alternating Current



Type B Equipment

IPX4 Protection from liquid splash

2. PREVENTATIVE MAINTENANCE

2.1 BED CLEANING AND MATTRESS CARE

**WARNING**

When large fluid spills occur in the area of the circuit boards, cables and motors, immediately unplug the bed power cord from the wall outlet, remove the patient from the bed and clean up the fluid. Have maintenance completely check the bed. Fluids can have an adverse effect on operational capabilities of any electrical product. **DO NOT** put the bed back into service until it is completely dried and has been thoroughly tested for safe operation. Ensure, among other things, that the plastic components being used as covers for the siderail mechanism arms and the foot end casing are removed and that the parts they cover are thoroughly dried.

**CAUTION**

Do not use harsh cleaners, solvents or detergents. Equipment damage could occur. Do not steam clean, hose off or ultrasonically clean the bed. Do not immerse any part of the bed. The bed electrical parts may be damaged by exposure to water.

Germicidal disinfectant, used as directed, and/or Chlorine Bleach products are not considered mild detergents. These products are corrosive in nature and may cause damage to your bed if used improperly. If these types of products are used, ensure the beds are wiped with clean water and thoroughly dried following cleaning. Failure to properly rinse and dry the beds will leave a corrosive residue on the surface of the bed, possibly causing premature corrosion of critical components. Failure to follow the above directions when using these types of cleaners may void this product warranty.

CLEANING BEDS

Hand wash all surfaces of the bed with a soft cloth moistened with a solution of lukewarm water and a mild detergent.

Wipe the bed clean and dry thoroughly to avoid build up of cleaning solution.

MATTRESS CARE**WARNING**

Inspect the mattress after each use. Discontinue use if any cracks or rips, which may allow fluid to enter the mattress, are found in the mattress cover. Failure to properly clean the mattress, or dispose of it if defective, may increase the risk of exposure to pathogenic substances and may bring about diseases to the patient and user.

- **Inspection**

Implement local policies to address regular care, maintenance, and cleaning of mattresses and covers. The cover cleaning procedure can be found below and on the bed label.

Inspect the mattress cover inner and outer surfaces and the zip fasteners regularly for signs of damage. If the mattress cover is heavily stained or soiled, or is torn, remove the mattress from service.

- **Cleaning**

Stains: Wash with lukewarm water using a mild detergent. Rinse with water and let dry. For tough stains, use bleach diluted with ten parts of water.

2.2 LUBRICATION REQUIREMENTS

The only components of the bed needing periodic verification and lubrication are the four actuator screws and the clevis pin holding the head actuator to the head section lever. They should be checked every year and lubricated every two years.



CAUTION

The bed uses oil-impregnated shoulder spacers at hinge points. **Do not** lubricate these shoulder spacers. When shoulder spacers are found worn, replace them.

ACTUATOR SCREW LUBRICATION

Required Tools:

No. 2 Phillips Screwdriver

OG2 Grease

1/4" Ratchet (w/6" extension) and 5/16" socket

Brush

Bungee Cord

Procedure:

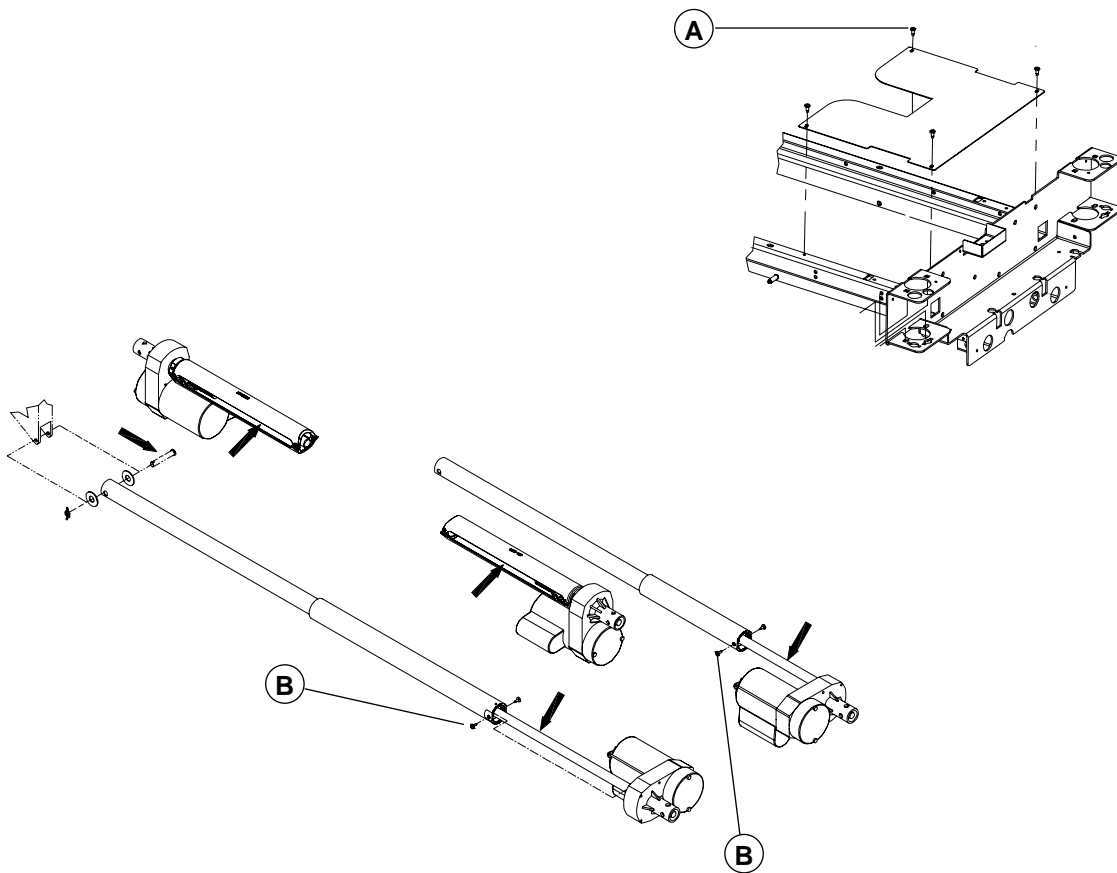


Figure 2.2

Clevis Pin

1. Raise the bed fully up and apply the brakes.
2. Remove if applicable the head section plastic cover (optional).
3. Fully raise the head section.
4. Remove the head board.
5. Unplug the bed power cord from the wall outlet.
6. Apply grease all over the clevis pin.

7. Fully raise and lower the head section several times to spread the grease.

Head and Thigh Actuators

8. Raise the bed fully up and apply the brakes.
9. Remove if applicable the head and foot section plastic covers (optional).
10. Fully raise the head section and flatten the thigh section. Lower the four siderails.
11. Unplug the bed power cord from the wall outlet.
12. Lift and fold back the foot section toward the head end of the bed. Secure the foot section to the bed using a bungee cord.
13. Using a no. 2 Phillips screwdriver, remove the four screws (A) holding the cover plate to the frame and remove the plate. Remove the optional night light if present.
14. Using a 1/4" ratchet (w/6" extension) and a 5/16" socket, remove the two screws (B) holding the dust tube of each actuator. Push the tube back to uncover the screw threads.
15. Using a brush, apply grease on the screw threads. Make sure the grease reaches the bottom of the threads.
16. Replace the dust tubes.
17. Replace the cover plate.
18. Lower the foot section.
19. Plug in the bed power cord and, using the electric controls, raise and lower several times the Fowler and Knee Gatch to spread the grease evenly.

Hi-Lo Actuators

1. Lower the bed completely and apply the brakes. Flatten the mattress support.
2. Lower the four siderails.
3. Remove if applicable the head and foot section plastic covers (optional), to reach the Hi-Lo actuators. Otherwise, fully raise the head section, and lift and fold back the foot section toward the head end of the bed. Secure the foot section to the bed using a bungee cord.
4. Unplug the bed power cord from the wall outlet
5. Using a brush, apply grease on the threads through the dust tube side openings of both Hi-Lo actuators. Make sure the grease reaches the bottom of the threads.
6. Lower the foot section.
7. Plug in the bed power cord and, using the electric controls, raise and lower the bed several times to spread the grease evenly.

2.3 PREVENTATIVE MAINTENANCE PROGRAM



WARNING

When servicing use only identical replacement parts provided by Stryker.

ANNUAL CHECKLIST

- All fasteners secure.
- Inspect for excessive wear the oil-impregnated bronze shoulder spacers found at the bed hinge points. **Do not** lubricate these spacers. Replace as needed.
- Check the grease present on the components detailed in section 2.2, lubricate if needed (see section 2.2). Lubricate them at least every two years.
- On both sides of the bed, depress fully down the side of the pedal identified with a red sticker and ensure that the brakes are applied and the bed is immobilized. Toggle the pedal to neutral and ensure the brakes are released.
- On both sides of the bed, depress fully down the side of the pedal identified with a green sticker and ensure that the steer wheel is engaged. Toggle the pedal to neutral and ensure that the steer wheel disengages.
- Siderails move, latch and stow properly.
- All controls of the foot end panel working properly, including LED's.
- Calibrate the scale (see the scale calibration procedure on page 41).
- All siderail controls working properly.
 - Ensure that the nurse call (optional) alarm sounds in the nurse station.
 - Ensure that the Communication Package (optional) controls operate properly.
- Verify the CPR emergency release using both CPR release handles: raise the Fowler fully up and, using the CPR handle, lower the Fowler gradually to flat position by pulling, holding and releasing the handle several times. Ensure the Knee Gatch (if raised) also starts flattening when the Fowler is completely down. Following the complete lowering of the Fowler, wait approximately 30 seconds - the time for the Fowler actuator to reset - and verify that the actuator has indeed reset itself by raising the Fowler fully up.
- Verify the Fowler, Knee Gatch and Hi-lo movements to ensure that the motion interrupt switch integrated to the four electric actuators is operating properly.
- Auxiliary outlet (option available only with 120V beds) working properly.
- Night light (optional) working properly.
- No cracks in the boards, siderails, wheel covers, steer wheel hood (optional) and plastic covers (optional) of the head and foot sections.
- Head end bumpers tightly secured to frame and working properly.
- No rips or cracks in mattress cover. Replace if so.
- Power cord intact.
- No cables pinched or worn.
- All electrical connections tight.
- All grounds secure to the frame.
- All casters roll properly. Check caster for cuts, wear, etc.
- Measure current leakage and grounding continuity of the bed and the auxiliary outlet (optional). Check with our Technical Service (see section 1.2) for the acceptable values.

RECOMMENDED SPARE PARTS

The following is a list of recommended on hand spare parts for the FL28EX bed.

Description	Part Number	Parts List
• Electric/Electronic Components		
Motor Control Board	QDF25-0592	OL250001/010
Scale Control Board	QDF25-0593	L28-008
S.A. Scale Display	QDF25-0463	L28-008
Nurse Call (Optional)/ Gen III Control Board (Optional)	QDF21-1163	OL280002
Foot Board Control Board	QDF21-1154	L28-014
Micro Switch	1325P003	L28-013
Push Button Micro Switch	QDF9159	L28-013
Power Connector	QDF2034	OL28001/010
Fuse - Fast Acting 10A, 250V for 100/120V Electric Systems	QDF8078	OL280001/011
Fuse - Slow Blow 6.3A, 250V for 200/220/240V Electric Systems	QDF8068	OL280012/013 /014
Power Cord with Straight N A Molded Plug	QDF8066	OL250053
Power Cord with 90° N A Molded Plug (Optional)	QDF8066-90D	OL250055
Foot Board/Control Board Cable	QDF28-0258	OL28001/010
Speakerphone w/Connectors (Optional)	QDF26-0111	OL280020
Night Light (Optional)	QDF9539	OL250018
Load Cell w/Long Cable	QDF14-1367	L28-028
Load Cell w/Short Cable	QDF25-0218	L28-028
Auxiliary Power Outlet (Optional)	QDF8024	OL250029
5A Circuit Breaker (for Optional Auxiliary Power Outlet)	QDF9025	OL250029
Hi-Lo Actuator	25-0567	OL280001/010
Head Section Actuator	28-0403L	OL280001/010
Thigh Section Actuator	28-0377	OL280001/010
Toroidal Transformer (International Series Bed)	14-1160	OL280001/010
Stand Off Pins: Motor Control Board	QP23-0258	OL280001/010
Stand Off Pins: Scale Control Board	QDF8011	L28-008
Strain Relief Bushing	QDF9541	OL280001/010
Female Screw Lock	QDF2047	
• Foot Board Components		
Foot End Control Panel Self-Sticking Fascia w/Scale and Bed Exit 3 Zone (optional)	QDF25-0461	OP250002
Foot End Control Panel Self-Sticking Fascia w/Scale and Bed Exit 1 Zone (optional)	QDF25-0528	OP250003
Foot End Control Panel Self-Sticking Fascia w/Scale w/o Bed Exit (optional)	QDF25-0529	OP250004
Round Self-Sticking Screw Cover	QDF28-0334	L28-014
Head/Foot Board Leg Caps	QPC21-3855	L28-011-014
• Siderail Components		
Siderail Right Patient Ctrl Self-Sticking Fascia w/o Nurse Call nor Communications Package (Optional)	QDF28-0248	OL280019

Siderail Left Patient Ctrl Self-Sticking Fascia w/o Nurse Call nor Communications Package (Optional)	QDF28-0249	OL280019
Siderail Right Patient Ctrl Self-Sticking Fascia w/Nurse Call, w/o Communications Package (Optional)	QDF28-0252	OL280020
Siderail Left Patient Ctrl Self-Sticking Fascia w/Nurse Call, w/o Communications Package (Optional)	QDF28-0253	OL280020
Siderail Right Patient Ctrl Self-Sticking Fascia w/Nurse Call and Communications Package (Optional)	QDF28-0250	OL280021
Siderail Left Patient Ctrl Self-Sticking Fascia w/Nurse Call and Communications Package (Optional)	QDF28-0251	OL280021
Outer Right Ctrl Panel Self-Sticking Fascia	QDF28-0139	L28-001
Outer Left Ctrl Panel Self-Sticking Fascia	QDF28-0140	L28-001
Outer Ctrl Panel Control Board	QDF21-1151	L28-001
Inner Ctrl Panel Control Board	QDF21-1169	L28-001
"Lift To Release" Self-Sticking Sticker	QDF28-0146	L28-001
Oblong Self-Sticking Screw Cover	QDF28-0145	L28-001
• Mattress Support Components		
Head Section Plastic Cover (optional)	28-0101	OL280032
Foot Section Plastic Cover (optional)	28-0103	OL280032
Steel Head Section (Optional)	28-0197L	OL280007
Steel Foot Section (Optional)	28-0196L	OL280007
Seat Section	28-0345L	OL280032
Thigh section	28-0034L	OL280032
CPR Mechanism Long Cable	QDF19-0815	OL280034
CPR Mechanism Short Cable	QDF19-0354	OL280034
CPR Mechanism Pneumatic Cylinder	QDF5090	OL280034
Foot End Mattress Retainer	17-0211L	OL250022/023
• Hi-Lo Mechanism Components		
Right "Stub-Acme" Nut	QP13-0677-05	OL280001/010
Nut Support	QPA25-0380	OL280001/010
• Base Components		
Foot End Casing Plastic Cover	QP28-0111	L28-005
Plastic Base Tube Cover	QP25-0023	L28-020
6" Caster w/Locking Mechanism	R25-0388-13	OL280003
5th Steer Wheel	RL5	L28-006
Right Wheel Cover	QP28-0299-13	L28-020
Left Wheel Cover	QP28-0300-13	L28-020
Brake/Steer Pedal	QP28-0130	L28-006
• Miscellaneous		
OG2 Grease	M0027	
Touch-Up Paint - Opal	PD018	
Ty-rap	QDF9518	
Nylon Cable Dia. 3/4"	QDF9532	
Coupling for Ty-rap	QDF9533	

3. TROUBLESHOOTING

Please consult the following troubleshooting guide before calling the Technical Service department (see section 1.2).

3.1 TROUBLESHOOTING GUIDE

PROBLEM/FAILURE	WHAT TO CHECK
No power to bed	<ul style="list-style-type: none"> • Is the power cord connected to the power connector and plugged into the wall outlet? • Is the bed power switch at the head end of the bed turned on? • Is the power cord severed? Replace if needed. • Are the two fuses inside the power connector still operational (see page 37)? • Verify power at wall outlet.
No bed up or down motion when: <ul style="list-style-type: none"> • the siderail command is used • the foot board command is used 	<ul style="list-style-type: none"> • Is the total lockout activated (LED (padlock) on)? If so, deactivate it. • Is the cable of the siderail control panel properly connected to the bed receptacle under the mattress support? • Check points of the “No power to bed” problem described above.
No Fowler up or down motion when: <ul style="list-style-type: none"> • the siderail command is used • the foot board command is used 	<ul style="list-style-type: none"> • Is the Fowler lockout activated (LED (padlock) on)? If so, deactivate it. • Is the total lockout activated (LED (padlock) on)? If so, deactivate it. • Is the cable of the siderail control panel properly connected to the bed connector under the mattress support? • Check points of the “No power to bed” problem described above.
The Fowler does not fully raise	This situation happens when the CPR handle is used to partly lower the Fowler. The use of the CPR mechanism for this purpose creates a situation where the Fowler motor is out of sync with the actual position of the Fowler. To correct the situation: <ul style="list-style-type: none"> • Completely lower the Fowler using the CPR handle or the Fowler down control to enable the Fowler motor to reset itself. Refer to the "Emergency CPR Release" section of the Operations Manual for more information.

<p>No Knee Gatch up or down motion when:</p> <ul style="list-style-type: none"> • the siderail command is used • the foot board command is used 	<ul style="list-style-type: none"> • Is the Knee Gatch lockout activated (LED (padlock) on)? If so, deactivate it. • Is the total lockout activated (LED (padlock) on)? If so, deactivate it. • Is the cable of the siderail control panel properly connected to the bed connector under the mattress support? • Check points of the “No power to bed” problem described above.
<p>No Auto Contour motion</p>	<ul style="list-style-type: none"> • Is the Knee Gatch or total lockout activated (LED (padlock) on)? If so, deactivate it. • Check and replace if needed the two Auto Contour limit switches (see page 45).
<p>Improper operation of the cardiac chair: Fowler and Knee Gatch raise but final step of the cardiac chair position not reached (reverse Trend).</p>	<ul style="list-style-type: none"> • Check and replace if needed (see pages 44 and 45) the two Cardiac Chair limit switches.
<p>Improper operation of the CPR positioning: Knee Gatch does not lower and/or the Fowler actuator does not reset.</p>	<ul style="list-style-type: none"> • Check and replace if needed (see pages 46 and 47) the two CPR limit switches.
<p>The weight shown on the scale display is incorrect.</p>	<ul style="list-style-type: none"> • Zero the bed without the patient in it (see the "Scale System Usage" section in the Operations Manual). • Calibrate the scale (see page 41).
<p>Scale display reads OVERLOAD or shows incorrect weight.</p>	<ul style="list-style-type: none"> • The weight present on the bed is superior to the scale capacity, which is 500 lb (227 kg). If the patient weight is superior to 500 lb (227 kg), do not use the scale. If not the case, zero the scale after having removed the patient from the bed. This situation often results from equipment added to the bed without using the add/remove equipment procedure (see the Operations Manual). The weight of this equipment is then added to the patient's weight. • One or more load cell cable not properly connected or completely disconnected from the scale control board (see figure 4.3E, page 38 for the connecting positions of the load cell cable).
<p>Angle shown on the scale display is incorrect</p>	<ul style="list-style-type: none"> • Calibrate the scale (see page 41).

<p>Scale display does not turn on when the scale is activated.</p>	<ul style="list-style-type: none"> • Press ENTER key twice. • Turn the main power switch off and turn it on. • Lift the foot board and gently replace it into position taking care to completely push it down so that the connectors match correctly. • Check points of the “No power to bed” problem described above. • Scale user interface cable not properly connected or completely disconnected from the scale control board (J6 connector, see drawing L28-008 in the parts list manual).
<p>Scale displays "No scale found".</p>	<ul style="list-style-type: none"> • Press the ENTER key. If message persists, contact our Technical Service (see section 1.2). If message disappears, data displayed is correct and current procedure can be resumed.
<p>All lockout LEDs (padlock icons) flash <u>or</u> the word Error appears at the bottom of the LCD display.</p>	<ul style="list-style-type: none"> • The scale is unable to measure the weight due to an electrical problem. Please contact our Technical Service (see section 1.2).
<p>Bed Exit system (optional) does not operate properly.</p>	<ul style="list-style-type: none"> • Verify that the load cell cables are properly connected to the scale control board (see figure 4.3E, page 38 for the illustration of the load cell cable connecting positions).
<p>Bed Exit system (optional) does not work at all or alarm goes off when Bed Exit is activated.</p>	<ul style="list-style-type: none"> • Check points of the “No power to bed” problem described above. • One or more load cell cable are not properly connected or are completely disconnected from the scale control board (see figure 4.3E, page 38 for the load cell cable connecting positions).
<p>Nurse call (optional) or Bed Exit (optional) signal does not reach the nurse desk.</p>	<ul style="list-style-type: none"> • Check points of the “No power to bed” problem described above. • Check the connecting cable. • Check the wall outlet. • Contact the Technical Service (see 1.2)

4. MAINTENANCE PROCEDURES



WARNING

Only field technicians from Stryker or service personnel trained by Stryker should perform the procedures detailed in this maintenance manual, especially those related to the Scale (option) and Bed Exit (option) systems. Failure to observe this restriction can result in serious damage to material and/or severe injury to people.

To prevent injury when working under the bed with the bed in the high position, always place blocks under the mattress support frame and apply the brakes.

Always unplug the bed power cord from the wall outlet when servicing or cleaning the bed.

NOTE

Throughout this maintenance manual, the words “right” and “left” refer to the right and left sides of a patient lying face up on the bed.

4.1 SIDERAIL MAINTENANCE PROCEDURES

HEAD SIDERAIL ASSEMBLY REPLACEMENT

Required Tools:

1/2" Wrench

3/16" Allen Key

Cutting Pliers

Procedure:

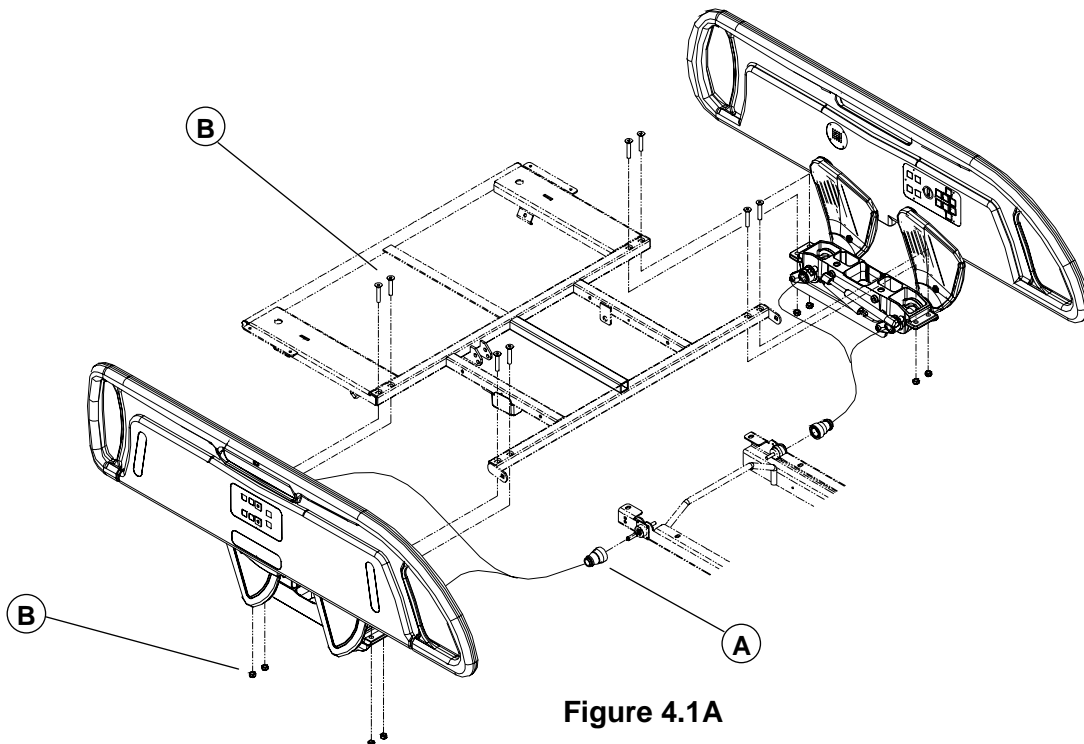


Figure 4.1A

1. Run the bed fully up and apply the brakes.
2. Remove the head section plastic cover (optional). Fully raise the head section and raise the siderail needing repair.
3. Unplug the power cord from the wall receptacle.
4. Loosen the lock ring (A) and unplug the siderail cable.
5. Using cutting pliers, remove the Ty-raps holding the siderail cable to the frame.
6. Using a 3/16" Allen key and a 1/2" wrench, remove the four locknuts/bolts (B) holding the siderail assembly to the head section and remove the assembly. Support the assembly when removing the last bolts.

7. Reverse the above steps to install the new siderail assembly.
8. Test the siderail movement and all controls of both control panels, including the nurse call (optional) and the communications package (optional), for proper operation before returning the bed to service.

HEAD RAIL REPLACEMENT

Please contact the Technical Service (see section 1.2) for information regarding the replacement of a head end rail.

HEAD SIDERAIL MECHANISM REPLACEMENT

Please contact the Technical Service (see section 1.2) for information regarding the replacement of a head end siderail mechanism.

FOOT SIDERAIL ASSEMBLY REPLACEMENT

Required Tools:

1/2" Socket Wrench

1/2" Wrench

Bungee Cord

Procedure:

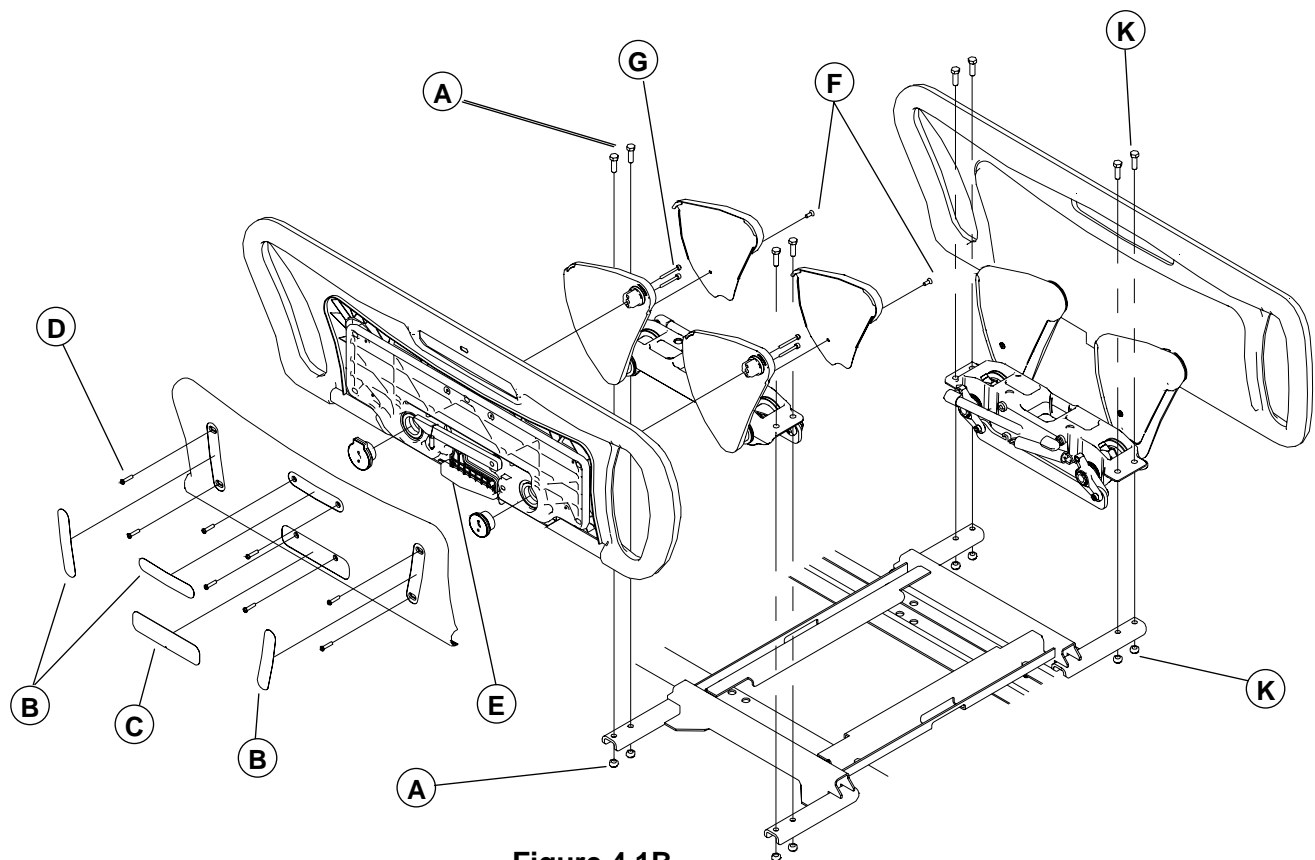


Figure 4.1B

1. Run the bed fully up and apply the brakes. Raise the siderail needing repair.
2. Run the Knee Gatch fully up and unplug the power cord from the wall receptacle.
3. Remove if applicable the foot section plastic cover (optional). Lift and fold the foot section back toward the head end of the bed. Secure its position using a bungee cord.
4. Using a 1/2" socket wrench and a 1/2" wrench, remove the four locknuts/bolts (A) holding the siderail assembly to the support and remove the assembly. Support the siderail assembly while removing the last bolts.
5. Reverse the above steps to install the new siderail assembly.
6. Test the siderail for proper operation before returning the bed to service.

FOOT RAIL REPLACEMENT

Required Tools:

Small Slotted Head Screwdriver No. 2 Phillips Screwdriver 5/32" Allen Key
Bungee Cord

Procedure:

NOTE

Unless otherwise indicated, refer to figure 4.1B on page 19 for the illustration of this procedure reference points.

1. Run the bed fully up and apply the brakes. Raise the siderail needing repair.
2. Unplug the bed power cord from the wall outlet.
3. Using a small slotted head screwdriver, lift and remove the following self-sticking parts: the three screw-covers (B) and the "Lift to release siderail" label (C) to expose the screws holding the siderail cover. Proceed gently when inserting the screwdriver under the labels to avoid scratching the molded rail.

NOTE

Do not reuse the self-sticking parts removed since their adhesive coating considerably loses its efficiency once they are removed. Replace them with new parts.

4. Using a no. 2 Phillips screwdriver, remove the eight screws (D) holding the cover to the siderail and remove the cover.



WARNING

The eight screws (D) **must** be replaced with new identical screws because their Scotch-Grip coating is less efficient once they have been tightened and removed thereafter.

5. Remove the yellow locking lever (E).
6. Using a no. 2 Phillips screwdriver, remove the screw (F) holding each siderail arm plastic cover and lift up the covers to remove them.
7. Using a 5/32" Allen key, remove the two Allen screws (G) holding each pommel to the siderail arms. Leave one loosened screw on each pommel until ready to remove both pommels.
8. While supporting the rail, remove the two last screws, the pommels, the bungee cord and finally the rail.

NOTE

Note the position of the pommel with the lock (left pommel when facing the rail) when the siderail is fully raised. The rail will not lock in high position if this pommel is positioned differently.

9. Reverse the above steps to install the new rail.
10. Test the siderail for proper operation before returning the bed to service.

FOOT SIDERAIL MECHANISM REPLACEMENT

Required Tools:

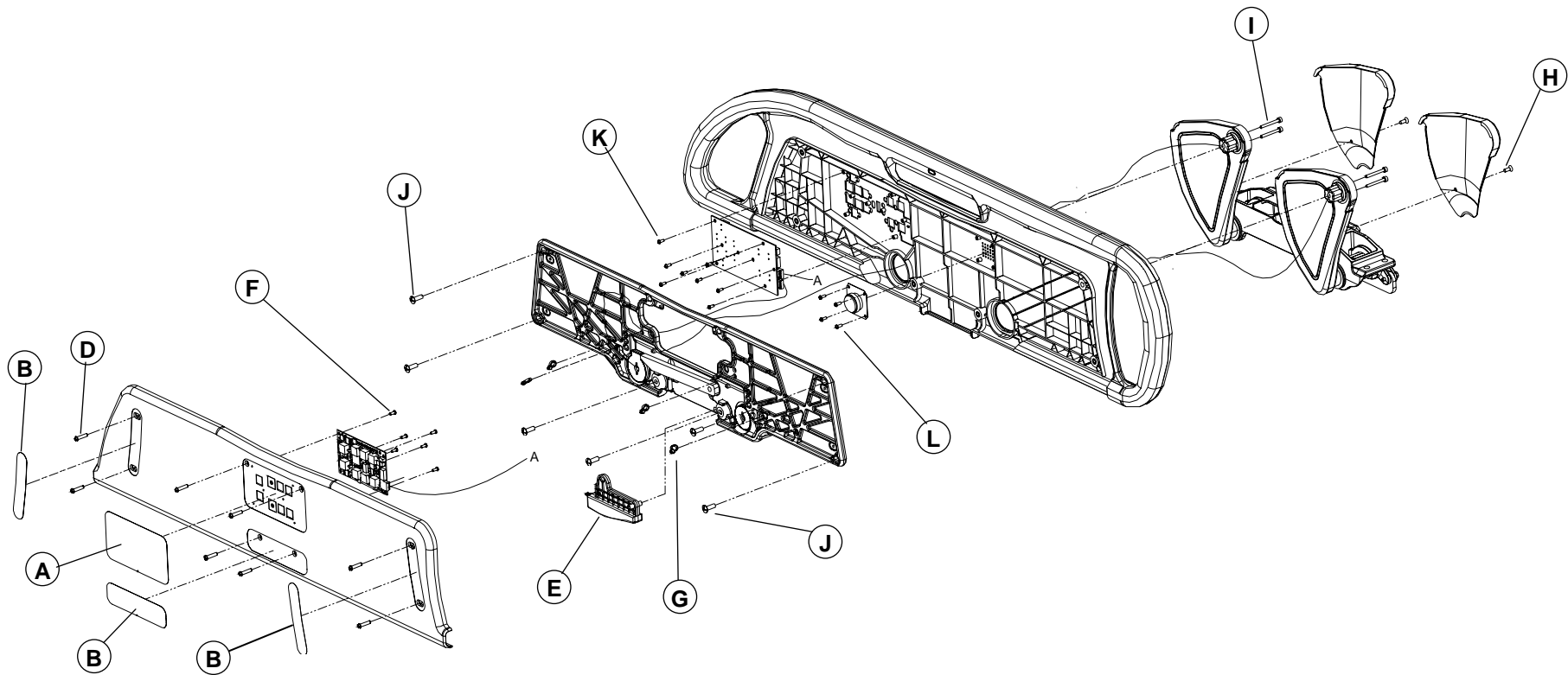
Small Slotted Head Screwdriver No. 2 Phillips Screwdriver 5/32" Allen Key
Bungee Cord 1/2" Socket Wrench 1/2" Wrench

Procedure:

1. Follow steps 1 to 8 of the foot end rail replacement procedure above.
2. Using a 1/2" socket wrench and a 1/2" wrench, remove the four locknuts/bolts (K, fig. 4.1B, page 19) holding the mechanism assembly to the support and remove the assembly.
3. Reverse the above steps to install the new mechanism assembly.
4. Test the siderail for proper operation before returning the bed to service.

SIDERAIL CONTROL FASCIA REPLACEMENT**Required Tools:**

Small Slotted Head Screwdriver

Procedure:**Figure 4.1C**

1. Run the bed fully up and apply the brakes. Raise the siderail needing repair.
2. Unplug the bed power cord from the wall outlet.
3. Using a small slotted head screwdriver, lift and remove the self-sticking fascia (A) of the inner or outer control panel needing to be replaced. Proceed gently when inserting the screwdriver under the membrane to avoid scratching the rail.
4. Install the new fascia making sure to position the fascia properly over the control board switches.
5. Test all controls of the control panel for proper operation before returning the bed to service.

SIDERAIL OUTER CONTROL BOARD REPLACEMENT

Required Tools:

Small Slotted Head Screwdriver

No. 2 Phillips Screwdriver

Procedure:

NOTE

Unless otherwise indicated, refer to figure 4.1C on page 21 for the illustration of this procedure reference points.

1. Run the bed fully up and apply the brakes. Raise the siderail needing repair.
2. Unplug the bed power cord from the wall outlet.
3. Using a small slotted head screwdriver, lift and remove the following self-sticking parts: the two screw-covers (B), the "*Lift to release siderail*" label (C) and the control panel membrane (A) to expose the screws holding the siderail cover. Proceed gently when inserting the screwdriver under the labels to avoid scratching the molded rail.

NOTE

Do not reuse the self-sticking parts removed since their self-adhesive coating considerably loses its efficiency once they are removed. Replace them with new parts.

4. Properly ground yourself (see section 1.4).
5. Using a no. 2 Phillips screwdriver, remove the eight screws (D) holding the cover to the siderail. Remove the cover after having disconnected the cable of the control board attached to the cover.



WARNING

The eight screws (D) **must** be replaced with new identical screws because their Scotch-Grip coating is less efficient once they have been tightened and removed thereafter.

NOTE

Gather the cables and place them properly before replacing the cover.

6. Remove the yellow locking lever (E).
7. Using a no. 2 Phillips screwdriver, remove the six screws (F) holding the control board to the cover and remove the control board. Remove the cable connected to the board.
8. Reverse the above steps to install the new control board.
9. Test all controls of the outer control panel for proper operation before reassembling the siderail and returning the bed to service.

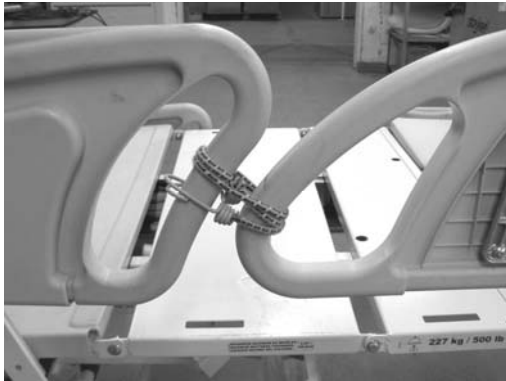
SIDERAIL INNER CONTROL BOARD REPLACEMENT**Required Tools:**

Small Slotted Head Screwdriver No. 2 and 3 Phillips Screwdrivers Cutting Pliers
 Bungee Cord 5/32" Allen Key

Procedure:**NOTE**

Unless otherwise indicated, refer to figure 4.1C on page 21 for the illustration of this procedure reference points.

1. Follow steps 1 to 6 of the siderail outer control board replacement procedure above.



2. Secure the siderail needing repair to the adjacent siderail using a bungee cord (see opposite illustration).
3. Using side cutters, clip the lower cable tie (G) holding the bottom part of the grey cable (there may be two cables) to the aluminum structure. The loose given to the cable will be necessary for steps to come.

NOTE

Make sure the cable ties are inserted in the aluminum structure **before** reinstalling the structure.

4. Using a no. 2 Phillips screwdriver, remove the screw (H) holding each siderail arm cover and lift

up the covers to remove them.

5. Using a 5/16" Allen key, remove the two Allen screws (I) holding each pommel to the siderail arms. Leave one loosened screw on each pommel until ready to remove both pommels.
6. While supporting the rail, remove the two last screws and the bungee cord.
7. Lift the siderail, pass it over the mechanism arms and lay it on the mattress support while gently pulling on the cables.
8. Using a no. 3 Phillips screwdriver, remove the six screws (J) holding the aluminum structure to the siderail.

NOTE

Do not reuse these Scotch-Grip screws. Replace them with new screws (P/N VV37A1N24).

9. Grasp and lift the upper part of the aluminum structure until it may be secured temporarily to one of the mechanism arms using a cable tie.
Remove from the defective board the cable connected to it. The nurse call (optional) cable may also be present, remove it.
10. Using a no. 2 Phillips screwdriver, remove the eight screws (K) holding the control board to the siderail.
11. Reverse the above steps to install the new control board.
12. Test all controls of the inner and outer control panels for proper operation before reassembling the siderail and returning the bed to service.

SPEAKERPHONE REPLACEMENT (OPTIONAL)

Required Tools:

Small Slotted Head Screwdriver	No. 2 and 3 Phillips Screwdrivers	Cutting Pliers
Bungee Cord	5/32" Allen Key	

Procedure:

1. Follow steps 1 to 9 of the siderail inner control board replacement procedure, described above.
2. Remove the cables connected to the speakerphone. Note their position before removing them.
3. Using a no. 2 Phillips screwdriver, remove the four screws (L, fig. 4.1C, page 21) holding the speakerphone to the siderail.
4. Reverse the preceding steps to install the new speakerphone.

NOTE

Before reassembling the different parts of the siderail, we recommend that you check the continuity at the speakerphone terminals to ensure the circuit operates properly.

5. Test the nurse call and all controls of the inner and outer control panels for proper operation before reassembling the siderail and returning the bed to service.

4.2 FOOT BOARD MAINTENANCE PROCEDURES

FOOT END CONTROL PANEL FASCIA REPLACEMENT

Required Tools:

Small Slotted Head Screwdriver

Procedure:

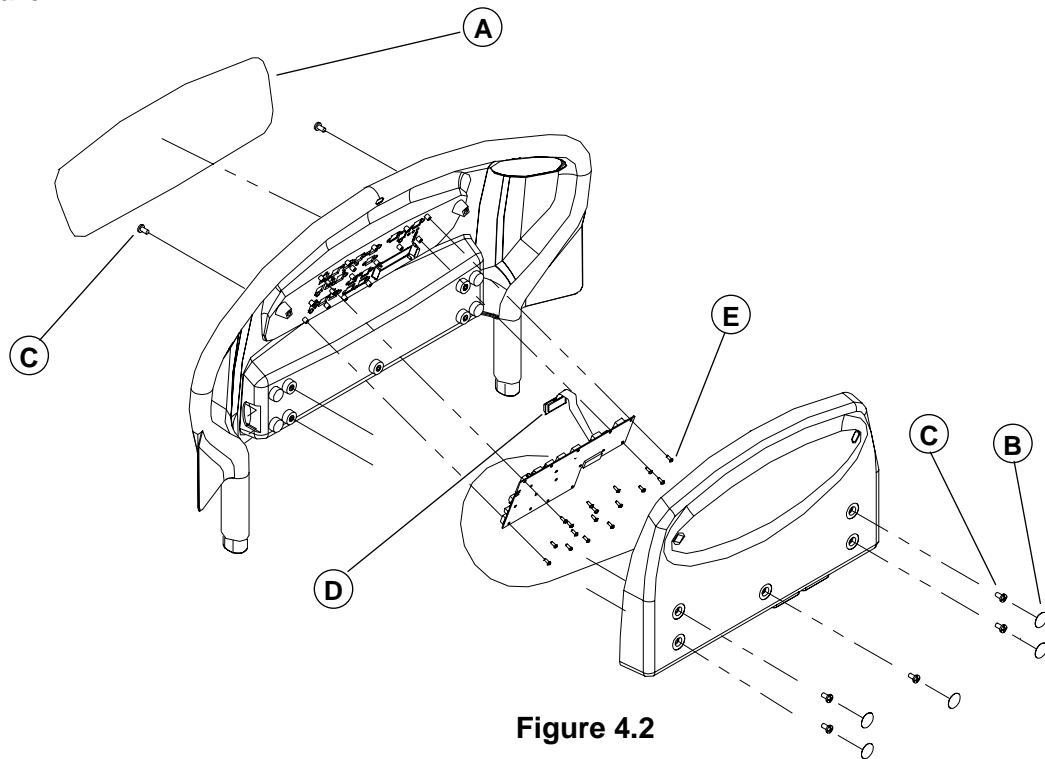


Figure 4.2

1. Run the bed fully up and apply the brakes.
2. Unplug the bed power cord from the wall outlet.
3. Using a small slotted head screwdriver, lift and remove the self-sticking fascia (A). Proceed gently when inserting the screwdriver under the membrane to avoid scratching the molded board.
4. Install the new fascia making sure to position it properly over the board switches.
5. Test all controls of the foot end control panel for proper operation before returning the bed to service.

SCALE SYSTEM LCD DISPLAY REPLACEMENT

Required Tools:

Small Slotted Head Screwdriver

No. 2 Phillips Screwdriver

Procedure:

NOTE

Unless otherwise indicated, refer to figure 4.2 on page 25 for the illustration of this procedure reference points.

1. Run the bed fully up and apply the brakes.
2. Unplug the bed power cord from the wall outlet.
3. Using a small slotted head screwdriver, lift and remove the five self-sticking round screw-covers (B) located on the foot board cover as well as the self-sticking fascia (A) of the foot board control panel to expose the screws holding the cover to the foot board.

NOTE

Do not reuse the self-sticking parts removed since their self-adhesive coating considerably loses its efficiency once they are removed. We recommend that you have replacement stickers at hand (see Recommended Spare Parts on page 13).

4. Properly ground yourself (see section 1.4).
5. Using a no. 2 Phillips screwdriver, remove the seven screws (C) holding the cover to the foot board and remove the cover.
6. Using a small slotted head screwdriver, push aside the clips (D) and remove the LCD display (E) after having disconnected its cable from the control board.
7. Reverse the above steps to install the new LCD display.
8. Test the LCD display for proper operation before replacing the foot board cover and returning the bed to service.

FOOT END CONTROL BOARD REPLACEMENT

Required Tools:

Small Slotted Head Screwdriver

No. 2 Phillips Screwdriver

Procedure:

NOTE

Unless otherwise indicated, refer to figure 4.2 on page 25 for the illustration of this procedure reference points.

1. Follow steps 1 to 5 of the scale system LCD display replacement procedure above.
2. Disconnect all cables from the control board. Note the locations of the cables so they will be reconnected properly to the new control board.
3. Using a no. 2 Phillips screwdriver, remove the 17 screws (E) holding the control board to the foot board and remove the control board.
4. Remove the scale system ACL display (D) by pushing aside the clips using a small slotted head screwdriver. Disconnect its cable from the board and install the display on the new control board.
5. Reverse the above steps to install the new control board.
6. Test all controls of the foot board control panel for proper operation before replacing the foot board cover and returning the bed to service.

4.3 MATTRESS SUPPORT MAINTENANCE PROCEDURES

FOOT SECTION REPLACEMENT

Required Tools:

1/2" Wrench

No. 2 Phillips Screwdriver

Bungee Cord

Procedure:

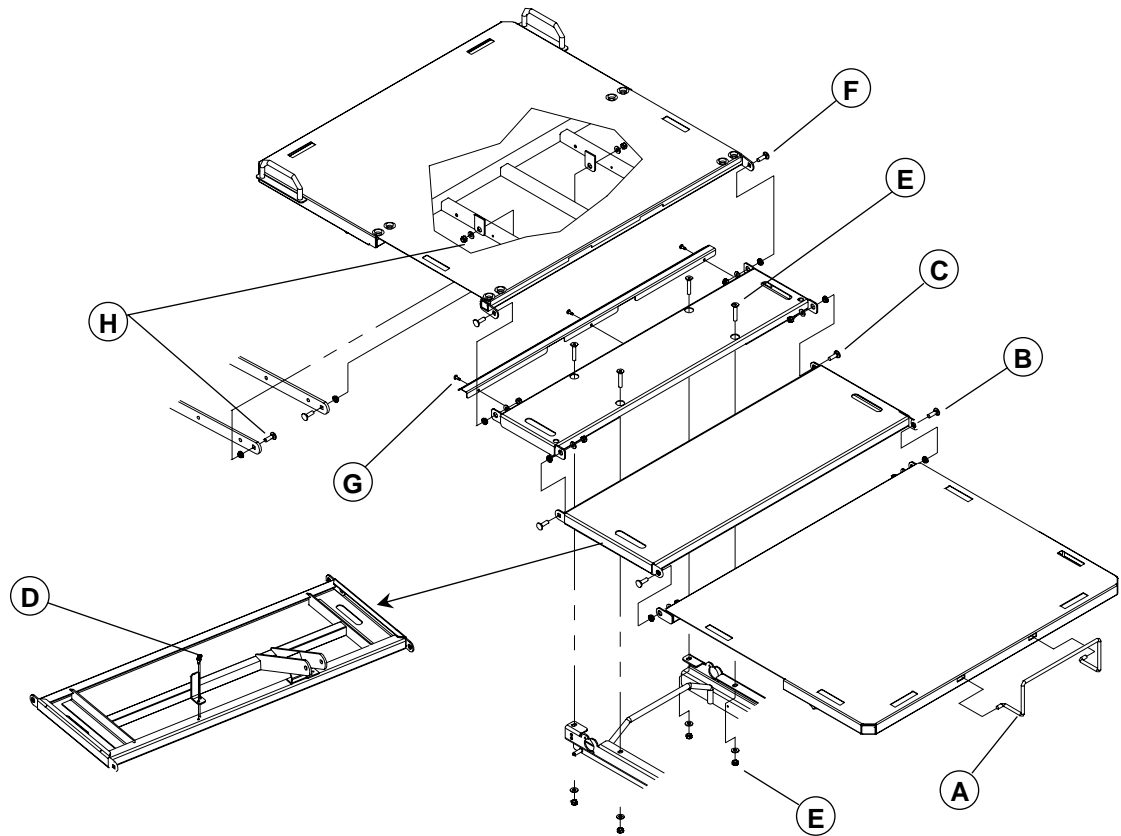


Figure 4.3A

1. Run the bed fully up and apply the brakes. Flatten all sections of the mattress support.
2. Unplug the bed power cord from the wall outlet.
3. Lower the siderails.
4. Remove if applicable the foot section plastic cover (optional). Lift and fold back the foot section toward the head end of the bed and secure it to the bed using a bungee cord.
5. Remove the foot end mattress retainer (A) and install it on the new foot section. Replace the foot section to horizontal position,
6. Using a 1/2" wrench, remove the two locknuts/washers/shoulder spacers/bolts (B) linking the foot section to the thigh section and remove the defective section.
7. Reverse the above steps to install the new foot section.

THIGH SECTION REPLACEMENT

Required Tools:

Long Nose Pliers 1/2" wrench No. 2 Phillips Screwdriver

Procedure:

NOTE

Unless otherwise indicated, refer to figure 4.3A on page 27 for the illustration of this procedure reference points.

1. Run the bed fully up and apply the brakes. Flatten all sections of the mattress support.
2. Unplug the bed power cord from the wall outlet.
3. Raise the siderails.
4. Using long nose pliers, remove the rue ring cotter/washers/clevis pin (E fig. 4.3B, page 30) linking the thigh section lever arms to the thigh actuator tube.
5. Using a 1/2" wrench, remove the four locknuts/washers/shoulder spacers/bolts (B, C) linking the thigh section to the foot and seat sections.
6. Remove the defective thigh section and lay it upside down on a workbench.
7. Using a no. 2 Phillips screwdriver, remove the two screws (D) holding the micro switch activator to the thigh section. Install the activator on the new thigh section.
8. Reverse the above steps to install the new thigh section.
9. Test the Knee Gatch as well as the Auto Contour and Cardiac Chair positioning before returning the bed to service.

NOTE

Should the Auto Contour and Cardiac Chair positions not perform properly, check the positioning of the switch activator on the thigh section.

SEAT SECTION REPLACEMENT

Required Tools:

1/2" Long Socket Wrench Two 1/2" Wrench No. 2 Phillips Screwdriver

Procedure:

NOTE

Unless otherwise indicated, refer to figure 4.3A on page 27 for the illustration of this procedure reference points.

1. Raise the bed fully up and apply the brakes. Flatten the mattress support.
2. Unplug the power plug from the wall outlet.
3. Lower the siderails.
4. Using two 1/2" wrench, remove the locknut/shoulder spacers/bolt holding the mattress support lever of the CPR mechanism (N, fig. 4.3H, page 46) to the seat section.
5. Using a 1/2" long socket wrench and a 1/2" wrench, remove the four locknuts/washers/bolts (E) holding the seat section to the frame.
6. Using a 1/2" wrench, remove the four locknuts/washers/shoulder spacers/bolts (C, F) linking the seat section to the thigh and head section and remove the defective seat section.
7. Using a no. 2 Phillips screwdriver, remove the three screws (G) holding the protective plate to the seat section.
8. Reverse the preceding steps to install the new seat section.

HEAD SECTION REPLACEMENT**Required Tools:**

1/2" Socket Wrench

Two 1/2" Wrenches

No. 2 Phillips Screwdriver

3/16" Allen Key

7/16" Wrench

Strap

Procedure:**NOTE**

Unless otherwise indicated, refer to figure 4.3A on page 27 for the illustration of this procedure reference points.

**WARNING**

Under no circumstances should the CPR emergency release handles be activated during this procedure or serious injury to people or damage to equipment could occur.

1. Fully raise the bed and apply the brakes.
2. Unplug the bed power cord from the wall outlet.
3. Raise the head siderails.
4. Remove if applicable the head section plastic cover (optional) or run fully up the head section. Secure the head section to the bed using a strap to prevent the head section from moving once the CPR mechanism is removed.
5. Loosen the lock rings (A, fig. 4.1A, page 18) of both siderail cables and remove the siderail cables. Using cutting pliers, cut the Ty-raps holding the siderail cables to the frame.
6. Using a 3/16" Allen key and a 1/2" wrench, remove the four locknuts/bolts (B, fig. 4.1A, page 18) holding each head siderail assembly to the head section and remove the siderails.
7. Using a no. 2 Phillips screwdriver, remove the screw holding each cable tie present on both sides of the head section structure.
8. Remove the two wires (C, fig. 4.3H, page 46) from the micro switch. Note their position before removing them.
9. Using a 1/2" wrench, remove the nuts/shoulder spacers/bolts (H) holding the head section to the stabilizer arms. Lay the stabilizer arms down.
10. Using two 1/2" wrench, remove the locknut/shoulder spacers/bolt (L, fig. 4.3H, page 46) holding each CPR handle to the head section. To remove the cable ends from the handle slots, loosen the two locknuts holding each CPR cable to its handle using a 7/16" wrench.

NOTE

Insert the cable ends inside the handle slots before assembling the handle to the new head section. Then adjust the two locknuts of each cable in order to have a 1/8" play in the CPR handle movement.

11. Using two 1/2" wrenches, remove the locknut/bolt (M, fig. 4.3H, page 46) holding the pneumatic cylinder end fitting to the head section lever arms. Lay the CPR mechanism down on the frame.
12. Remove the strap and lower the head section while holding it firmly.
13. Using a 1/2" wrench, remove the two locknuts/shoulder spacers/bolts (F) holding the head section to the seat section.
14. Remove from the defective head section the micro-switch by pressing its two side clips
15. Reverse the above steps to install the new head section.
16. Test the CPR mechanism for proper operation before returning the bed to service.

FOWLER ACTUATOR REPLACEMENT

Required Tools:

Long Nose Pliers

Cutting Pliers

Bungee Cord

No. 2 and 3 Phillips Screwdrivers

5/16" Socket Wrench

Small Slotted Head Screwdriver

Pliers

Procedure:

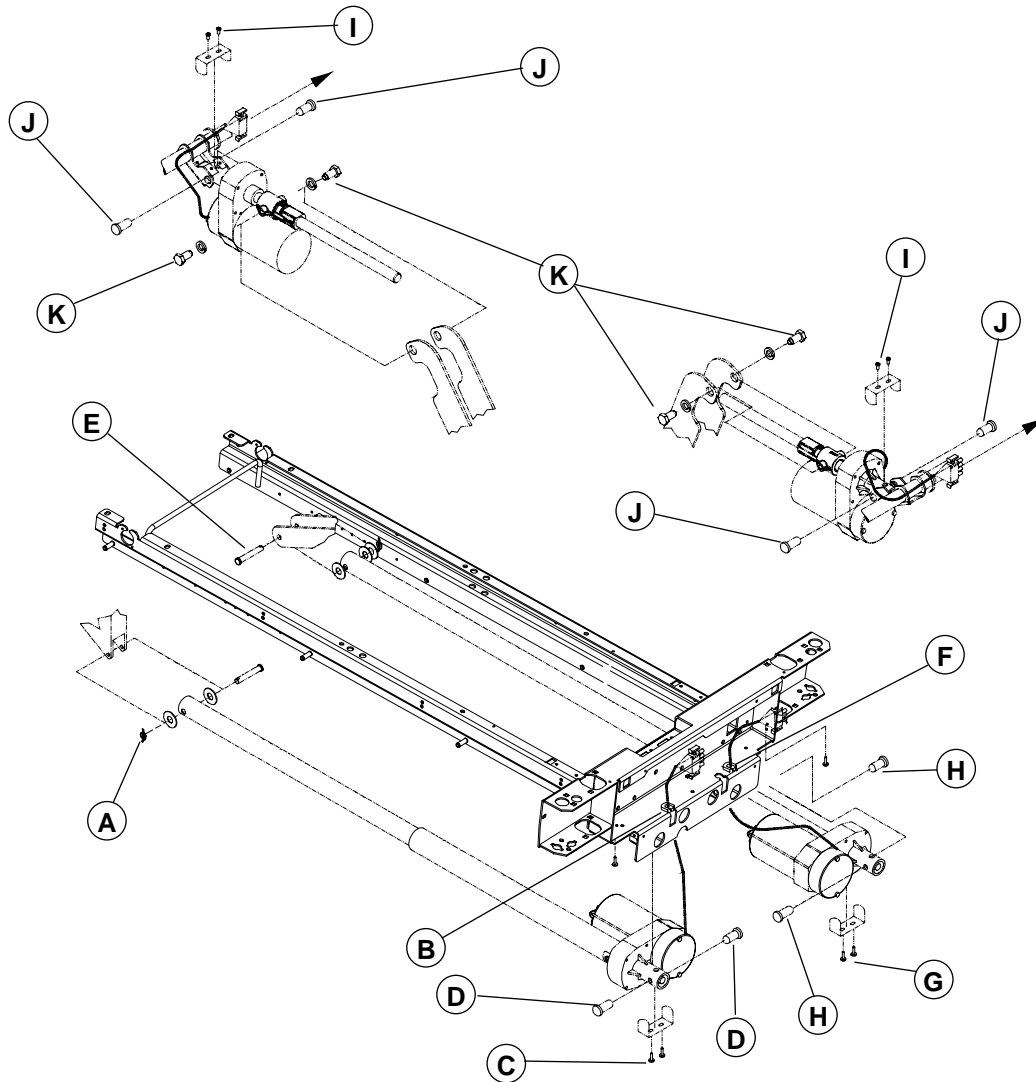


Figure 4.3B

1. Raise the bed fully up and apply the brakes.
2. Raise the Knee Gatch fully up.
3. Unplug the bed power cord from the wall outlet.
4. Raise the siderails.
5. Remove the head and foot boards.
6. If applicable, remove the foot and head section plastic covers (optional).
7. Lift and fold the foot section back toward the head end of the bed and secure it to the bed using a bungee cord.
8. Using long nose pliers, remove the rue ring cotter/washers/clevis pin (A) linking the actuator tube to the seat section lever arms.

9. Using a no. 3 Phillips screwdriver, remove the six screws (A, fig. 4.3C, page 35) holding the plastic cover to the foot end casing. Grasp both ends of the cover, move them apart to disengage the inside clips from the round accessory brackets and remove the cover.
10. Using a no. 2 Phillips screwdriver, remove the four screws (B, fig. 4.3C, page 35) holding the protective plate to the foot end casing.
11. Properly ground yourself (see section 1.4).
12. Using cutting pliers, clip the cable tie holding the head actuator cable to the other cables, if applicable.
13. Remove the actuator cable (connector J8) from the control board.
14. Using pliers, squeeze the upper part of the strain relief bushing (B) and lift it up to remove it from its location.
15. Remove the cable from the bushing and pass the cable connector through the rear casing hole.
16. Using a 5/16" socket wrench, remove the two screws (C) holding the retaining plate to the actuator support.
17. Remove the two pivot pins (D) holding the actuator to the support. To facilitate the removal of the pins, insert a small slotted head screwdriver into the opening at the end of the actuator and push out the pins.
18. Move the actuator toward the centre of the bed to remove it from its location.
19. Reverse the above steps to install the new actuator. Take note of the following caution before hooking up the actuator tube to the head section lever arms.



CAUTION

It is of utmost importance that the course of the new head actuator be adjusted before hooking up its tube to the head section lever arms. An improper adjustment can damage the head section structure.

17. To adjust the course of the replacement head actuator, proceed as follows:
 - A. Make sure that the actuator cable is connected to the control board and connect the bed power cord.
 - B. Grab the new actuator tube and position its holes horizontally. While holding the tube firmly to prevent it from rotating, press the Fowler up control for a few seconds and then press the down control until the actuator stops. This will be the lower limit of the actuator course.
 - C. Gently turn the tube in either direction to align the tube holes with those of the head section lever arms. Then raise again the Fowler a few inches while holding firmly the tube and lower it completely.
 - D. Check the alignment of the holes. If the tube holes are not aligned any more with those of the lever arms, repeat steps **B** and **C** until they are. Once the holes aligned, install the washers and the clevis pin. Slightly raise the head section manually to ease the insertion of the clevis pin.
 - E. Before installing the rue ring cotter to finalize the head actuator replacement, raise and lower completely the Fowler. Check that the actuator stops working as soon as the head section reaches the frame.

KNEE GATCH ACTUATOR REPLACEMENT

Required Tools:

Long Nose Pliers	No. 2 and 3 Phillips Screwdrivers	Pliers
Cutting Pliers	Bungee Cord	5/16" Socket Wrench
Small Slotted Head Screwdriver		

Procedure:

NOTE

Unless otherwise indicated, refer to figure 4.3B on page 30 for the illustration of this procedure reference points.

1. Raise the bed fully up and apply the brakes. Flatten the mattress support.
2. Unplug the bed power cord from the wall outlet.
3. Raise the siderails.
4. If applicable, remove the foot and head section plastic covers (optional).
5. Lift and fold the foot section back toward the head end of the bed. Secure it to the bed using a bungee cord.
6. Using long nose pliers, remove the rue ring cotter/washers/clevis pin (E) linking the actuator tube to the thigh section lever arms.
7. Using a no. 3 Phillips screwdriver, remove the six screws (A, fig. 4.3C, page 35) holding the plastic cover to the foot end casing. Grasp both ends of the cover, move them apart to disengage the inside clips from the round accessory brackets and remove the cover.
8. Using a no. 2 Phillips screwdriver, remove the four screws (B, fig. 4.3C, page 35) holding the protective plate to the foot end casing.
9. Properly ground yourself (see section 1.4).
10. Using cutting pliers, clip, if applicable, the cable tie holding the thigh actuator cable to the other cables.
11. Remove the actuator cable (connector J9) from the control board.
12. Using pliers, squeeze the upper part of the strain-relief bushing (F) and lift it up to remove it from its location.
13. Remove the cable from the bushing and pass the cable connector through the casing hole.
14. Using a 5/16" socket wrench, remove the two screws (G) holding the retaining plate to the actuator support.
15. Remove the two pivot pins (H) holding the actuator to the support. To facilitate the removal of the pins, insert a small slotted head screwdriver into the opening at the end of the actuator and push out the pins.
16. Move the actuator toward the centre of the bed to remove it from its location.
17. Reverse the above steps to install the new actuator. Take note of the following caution before hooking up the actuator tube to the thigh section lever arms.



CAUTION

It is of utmost importance that the course of the new thigh actuator be adjusted before hooking up its tube to the thigh section lever arms. An improper adjustment can damage the thigh section structure.

17. To adjust the course of the replacement thigh actuator, proceed as follows:
 - A. Make sure that the actuator cable is connected to the control board and connect the bed power cord.

- B. Grab the new actuator tube and position its holes horizontally. While holding the tube firmly to prevent it from rotating, press the Knee Gatch up control for a few seconds and then press the down control until the actuator stops. This will be the lower limit of the actuator course.
- C. Gently turn the tube in either direction to align the tube holes with those of the thigh section lever arms. Then raise again the Knee Gatch a few inches while holding firmly the tube and lower it completely.
- D. Check the alignment of the holes. If the tube holes are not aligned any more with those of the lever arms, repeat steps **B** and **C** until they are. Once the holes aligned, install the washers and the clevis pin. Slightly raise the thigh section manually to ease the insertion of the clevis pin.
- E. Before installing the rue ring cotter to finalize the actuator replacement, raise and lower completely the Knee Gatch. Check that the actuator stops working as soon as the thigh section reaches the frame.

HI-LO ACTUATOR REPLACEMENT

NOTE

In order to preserve the adjustment of the bed lowest position when replacing a Hi-lo actuator, a special tool kit designed for that purpose must be used. The kit includes alignment jigs. To obtain this kit, contact our Technical Service department (see section 1.2) and order part number KR0154.

Required Tools:

Tool Kit KR0154	Cutting Pliers	5/16" Socket Wrench
Angle Indicator	Small Slotted Head Screwdriver	1/2" Wrench

Procedure:

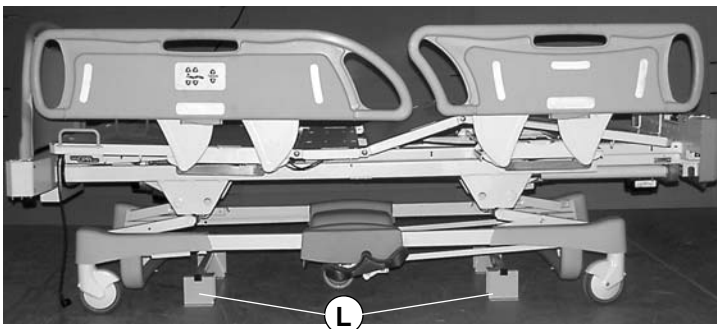
NOTE

Unless otherwise indicated, refer to figure 4.3B on page 30 for the illustration of this procedure reference points.

1. Position the mattress support sections depending on the location of the Hi-Lo actuator to replace:

At the foot of the bed: Remove, if applicable, the plastic section (optional) of the foot section. Fully raise the thigh section, and lift and fold back the foot section toward the head end of the bed. Finally, using an angle indicator, raise the Fowler by approximately 30°.

At the head of the bed: Remove, if applicable, the plastic cover (optional) of the head section and fully raise the Fowler.



2. Position the alignment jigs on the floor right under the Hi-Lo levers and lower the bed until the levers come to rest on the jigs (see opposite illustration). Use a 3/8" socket wrench with the 1/2" socket provided in the kit to lower a defective Hi-Lo actuator until the lever rests on the jig.
3. Unplug the bed power cord from the wall outlet.
4. Disconnect the actuator cable and clip, using cutting pliers, the cable ties holding it to the frame.
5. Using a 5/16" socket wrench, remove the two screws (i) holding the retaining plate to the actuator support.

6. Remove the two pivot pins (J) holding the actuator to the support. To facilitate the removal of the pins, insert a small slotted head screwdriver into the opening at the end of the actuator and push out the pins.
7. Using a 1/2" wrench, remove the two bolts/washers/shoulder spacers (K) holding the molded nut support to the Hi-Lo lever arms. Remove the molded nut support and keep it for the replacement Hi-Lo actuator that will have its own molded nut.

NOTE

Make sure that the support and the molded nut holes are aligned before screwing in the bolts. If resistance is felt, stop immediately; the holes then are not aligned.

8. Remove the defective actuator.
9. Reverse the above steps to install the new actuator. Take note of the following caution before hooking up the molded nut support to the Hi-Lo lever arms.



CAUTION

The course of the new actuator must be adjusted prior to hooking it to the Hi-Lo lever. An improper adjustment can damage the Hi-Lo mechanism.

10. To adjust the new actuator, proceed as follows:
 - A. Once the new actuator cable connected, plug the bed power cord and press the bed down control until the actuator stops. This will be the lower limit of the actuator course.
 - B. Attach the molded nut support to the Hi-Lo lever arms (see note following step 7).
 - C. The alignment jigs still in position, raise and lower completely the bed to ensure that the lower limit is properly adjusted.

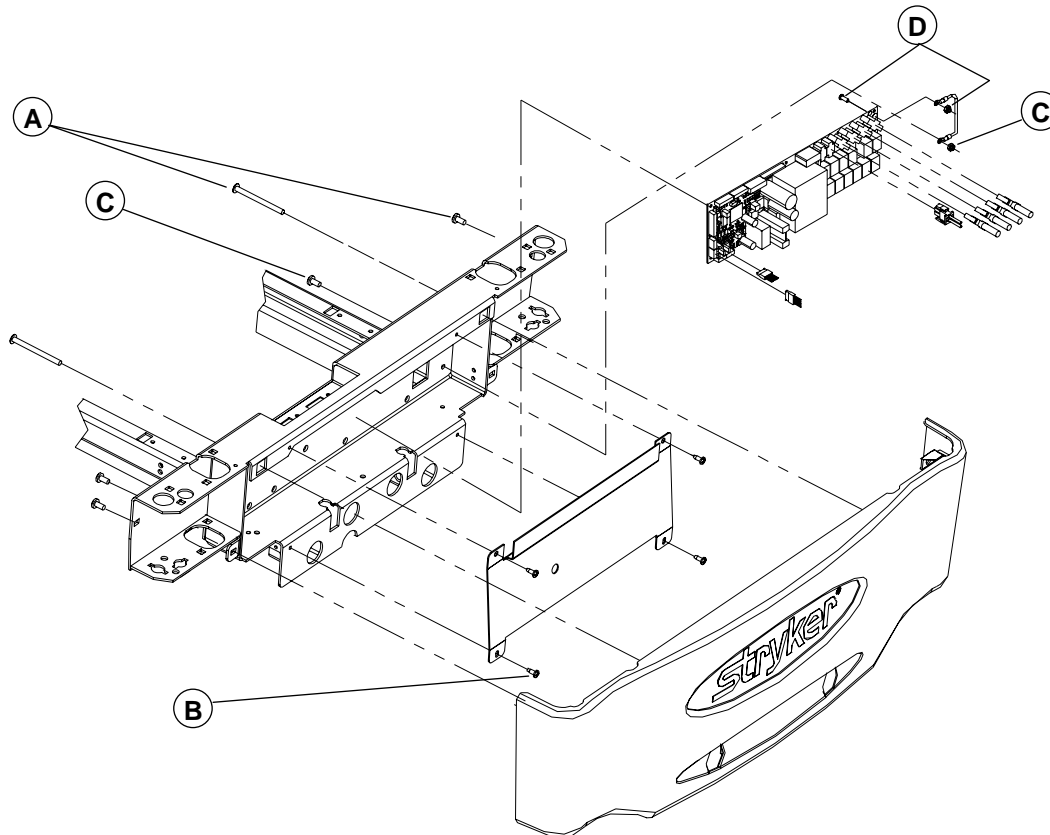
MOTOR CONTROL BOARD REPLACEMENT**Required Tools:**

No. 2 and 3 Phillips Screwdrivers

Long-Nose Pliers

Cutting Pliers

3/8" Wrench

Procedure:**Figure 4.3C**

1. Raise the bed fully up and apply the brakes.
2. Unplug the bed power cord from the wall outlet.
3. Remove the foot board.
4. Using a no. 3 Phillips screwdriver, remove the six screws (A) holding the plastic cover to the foot end casing. Grasp both ends of the cover, move them apart to disengage the inside clips from the round accessory brackets and remove the cover.
5. Using a no. 2 Phillips screwdriver, remove the four screws (B) holding the protective plate to the foot end casing. Properly ground yourself (see section 1.4).
6. Properly ground yourself (see section 1.4)
7. Using cutting pliers, clip the cable ties holding together the cables.

NOTE

Carefully note the position and the gathering of the cables before clipping the cable ties.

8. Remove all cables connected to the control board. Note their location so they will be connected properly to the new board. Refer to drawing OL280001 or OL280010 for the connecting position of the cables on the motor control board
9. Using a 3/8" wrench, remove the nut/screw (C) holding the ground cable to the frame.

10. Using long-nose pliers, pinch the upper part of the stand-off pins and lift the defective board up and out.
11. Using a 3/8" wrench and a no. 2 Phillips screwdriver, remove the nut/screw (D) holding the ground cables to the board.
12. Reverse the above steps to install the new control board.
13. Test all the bed functions before returning the bed to service.

NURSE CALL (OPTIONAL)/GEN III PENDANT CONTROL (OPTIONAL) CONTROL BOARD REPLACEMENT

Required tools:

No. 2 Phillips Screwdriver

Procedure:

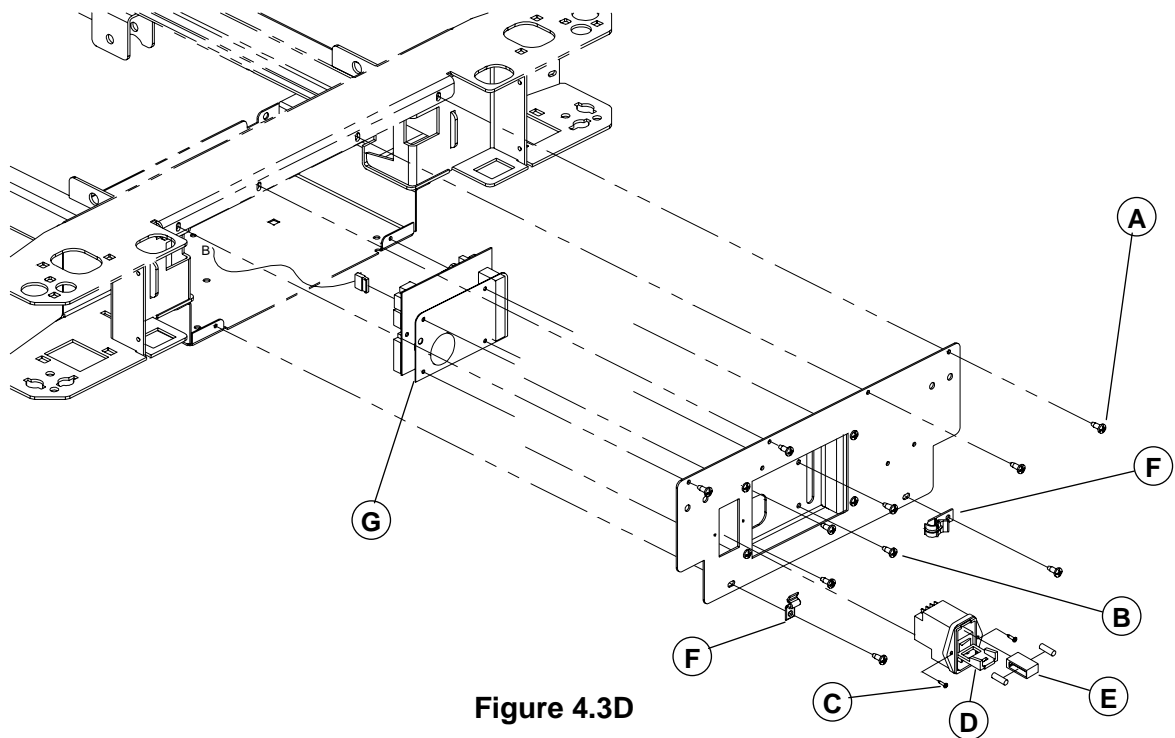
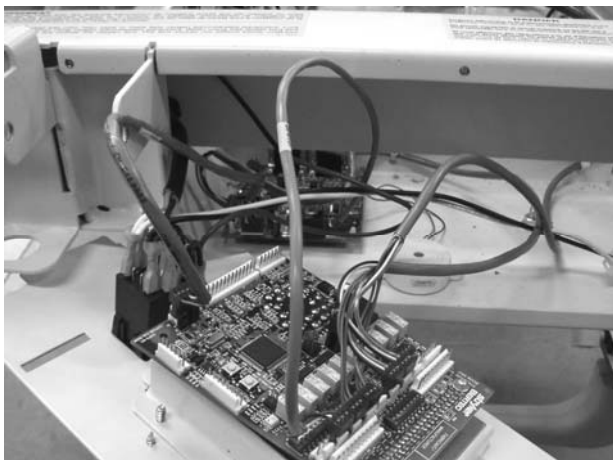


Figure 4.3D



1. Raise the bed fully up and apply the brakes.
2. Unplug the bed power cord from the wall outlet.
3. Remove the power cord from the power connector and disengage it from the wire clip.
4. Properly ground yourself (see section 1.4).
5. Using a no. 2 Phillips screwdriver, remove the six screws (A) holding the cover to the head end casing. Keep the cable clips (F).
6. Once the screws removed, pivot the cover and lay it flat on the bottom of the casing (see opposite illustration).

7. Remove all cables connected to the control board. Note their location so they will be connected properly to the new board.
8. Pivot the cover to vertical position and, using a Phillips screwdriver, remove the four screws (B) holding the control board (G) to the head casing cover and remove the board.
9. Reverse the above steps to install the new control board.
10. Test the nurse call (optional) and, if applicable, the GEN III pendant control (optional) for proper operation before returning the bed to service.

POWER CONNECTOR REPLACEMENT

Required Tools:

No. 1 and 2 Phillips Screwdrivers

Procedure:

NOTE

Unless otherwise indicated, refer to figure 4.3D on page 36 for the illustration of this procedure reference points.

1. Follow steps 1 to 6 of the nurse call/communications package control board replacement procedure described above.
2. Remove all cables connected to the power connector. Note their location so they will be connected correctly to the new power connector. Refer to drawing OL280001 or OL280010 for the connecting position of the cables on the power connector.
3. Pivot the cover to vertical position and remove, using a no. 1 Phillips screwdriver, the two screws (C) holding the power connector to the cover.
4. Press the connector clips and remove it from its location.
5. Reverse the above steps to install the new power connector.
6. Test that the bed is powered before returning it to service.

POWER CONNECTOR FUSE REPLACEMENT

Required Tools:

Small Slotted Head Screwdriver

Procedure:

NOTE

Unless otherwise indicated, refer to figure 4.3D on page 36 for the illustration of this procedure reference points.

1. Remove the power cord from the power connector.
2. Using a small slotted screwdriver, open and slide down the power connector door (D).
3. Still using the small screwdriver, remove the fuse holder (E).
4. Remove the defective fuse and replace it by a new one.

NOTE

Fuses used in the FL28EX bed, powered by the 120V electrical system, are of the fast acting type and their rating is 250V, 10A. For beds powered by other electrical system, see section 1.1 "Specifications" for fuse ratings.

5. Replace the fuse holder in its housing and close the door.

NOTE

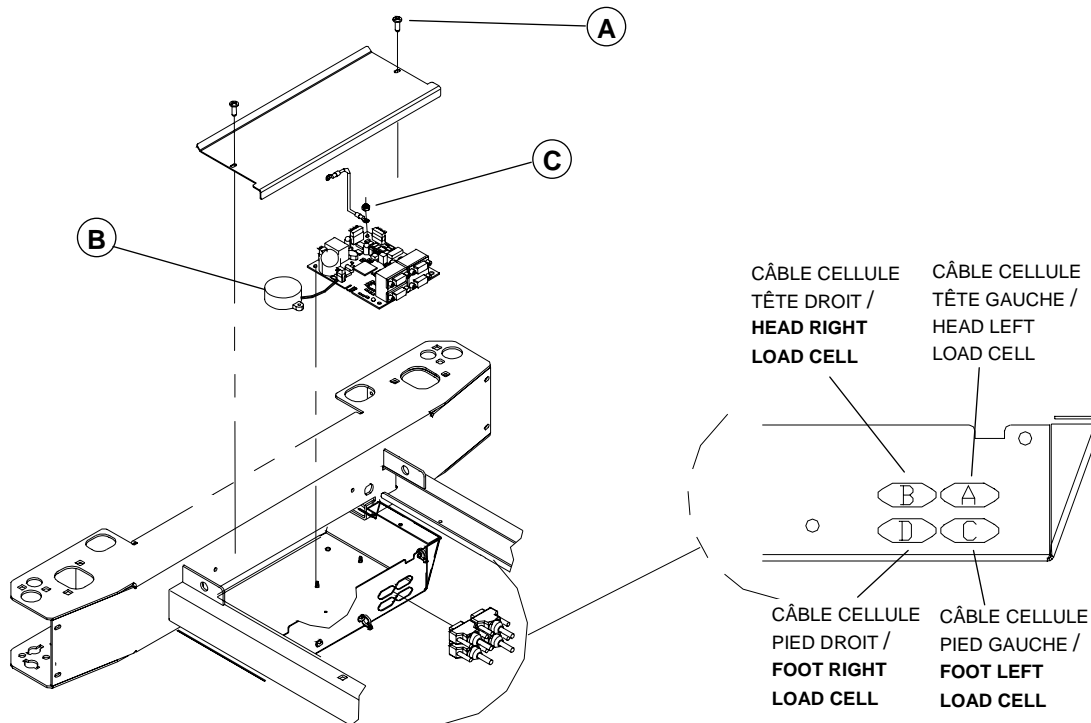
There is only one way to install the fuse holder. The characters **115V** (100 and 120V electric systems) or **230V** (200V, 220V or 240V electric systems) must be apparent through the door small window. If replaced the wrong way, the bed will not be powered.

6. Test the power switch for proper operation before returning the bed to service.

SCALE CONTROL BOARD/BED EXIT BUZZER (OPTIONAL) REPLACEMENT**Required Tools:**

No. 2 Phillips Screwdriver 3/8" Socket Wrench

Long-Nose Pliers

Procedure:**Figure 4.3E**

1. Raise the bed fully up and apply the brakes.
2. If applicable, remove the head section plastic cover (optional) and raise the head section fully up.
3. Unplug the bed power cord from the wall outlet.
4. Using a no. 2 Phillips screwdriver, remove the two screws (A) holding the cover plate.
5. Properly ground yourself (see section 1.4).

To replace the Bed Exit Buzzer, proceed with steps 6 to 9.**To replace the scale control board, proceed with steps 10 to 14**

6. Disconnect from the control board the buzzer cable.
7. Lift the buzzer (B) to remove it from the plate. Clean any glue residue left.
8. Reverse the above steps to install the new buzzer.
9. Test the Bed exit system to make sure the buzzer operates properly.
10. Remove all cables connected to the control board. Note their location so they will be connected correctly to the new power connector. Refer to drawing L28-008 for the connecting position of the cables on the scale control board.
11. Using a 3/8" socket wrench, remove the nut holding the ground cable to the scale board (B).
12. Using long-nose pliers, pinch the upper part of the stand-off pins and lift the defective board up and out.
13. Reverse the above steps to install the new scale control board.

NOTE

Be sure to reconnect the load cell cables on the scale control board in the appropriate order. Refer to illustration 4.3E on the preceding page where are indicated the connecting position of each load cell cable.

14. Calibrate the scale before returning the bed to service. Refer to the scale calibration procedure on page 41.

TOROIDAL TRANSFORMER REPLACEMENT (100/200/220/240V INTERNATIONAL SERIES BEDS)

Required Tools:

No. 2 Phillips Screwdriver 1/2" Wrench

Procedure:

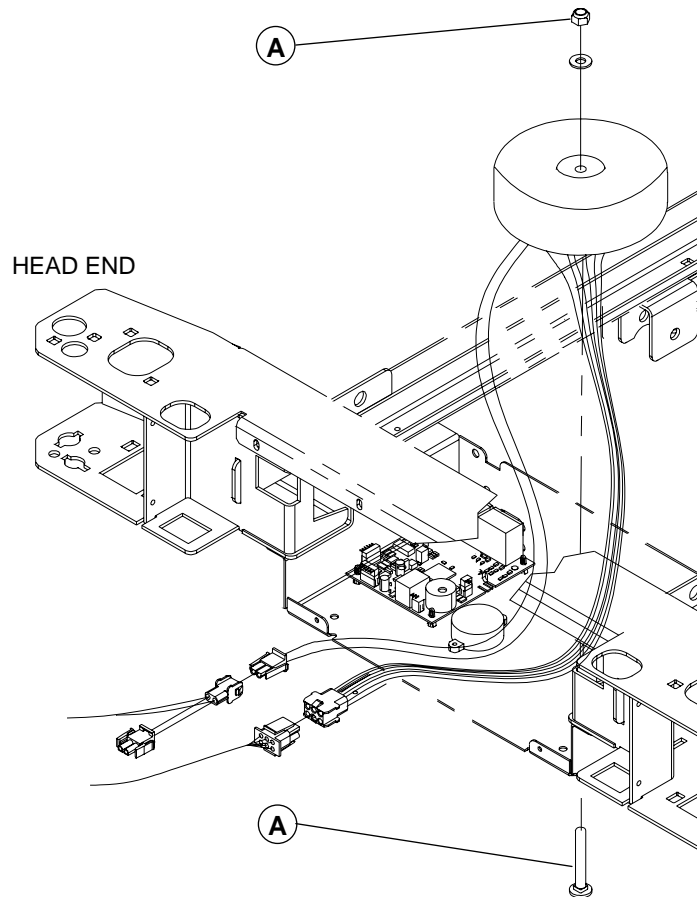


Figure 4.3K

1. Raise the bed fully up and apply the brakes.
2. Raise the Fowler fully up.
3. Unplug the bed power cord from the wall socket.
4. Using a no. 2 Phillips screwdriver, remove the two screw (A, fig. 4.3E, page 38) holding the cover plate of the scale board casing. Remove the plate.
5. Properly ground yourself (see section 1.4).
6. Using a no. 2 Phillips screwdriver, remove the nut/washer/bolt (A) holding the transformer to the casing. Disconnect the transformer cable and remove it.

NOTE

Tighten the bolt lightly but enough.

7. Reverse the above steps to install the new transformer.
8. Calibrate the scale (see page 41).
9. Test all the bed electric controls for proper operation before returning the bed to service.

LOAD CELL REPLACEMENT

Required Tools:

Long-Nose Pliers

Cutting Pliers

Two Jack Stands

1/4" Allen key

1/2" Wrench

Procedure:

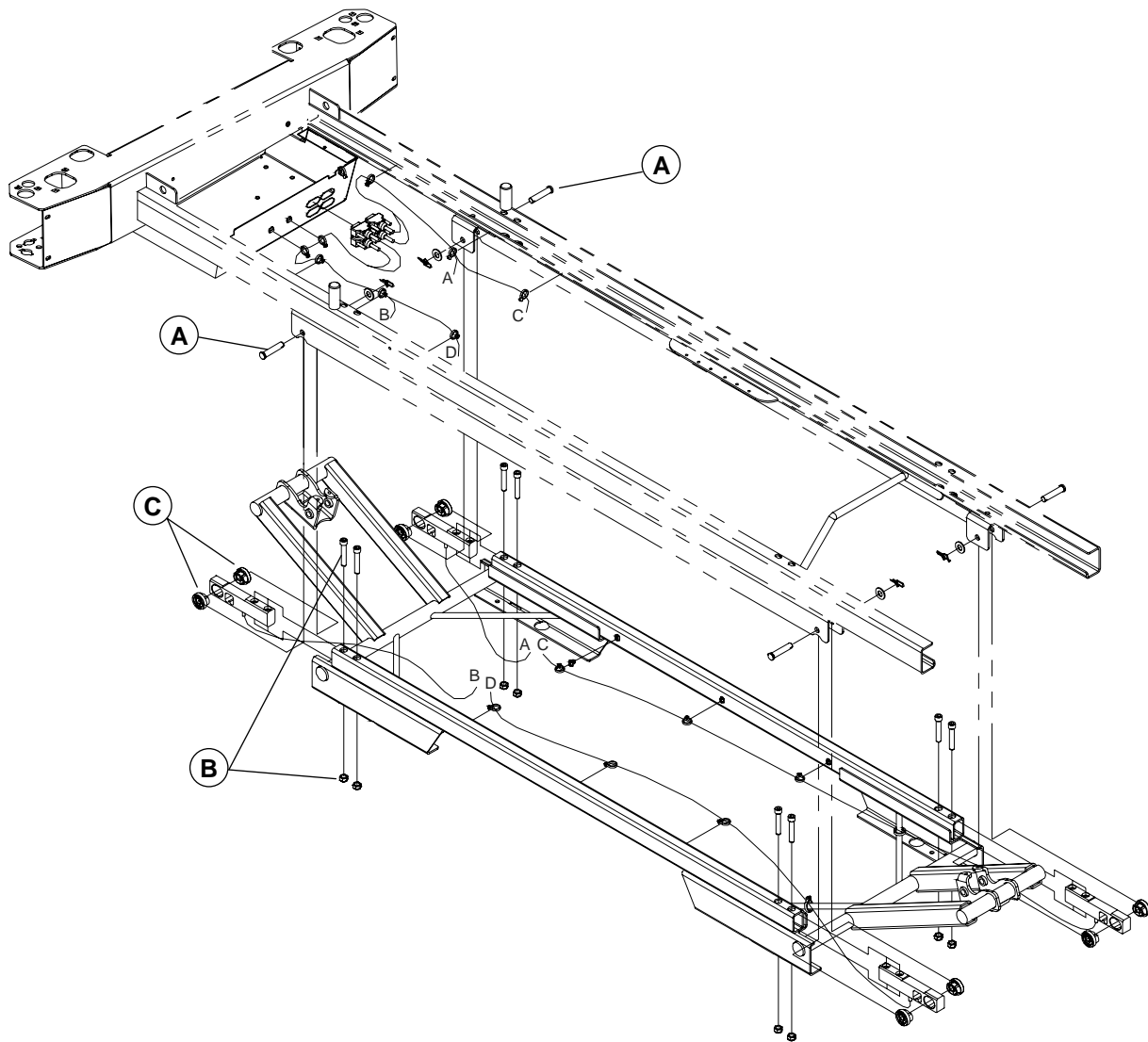


Figure 4.3F

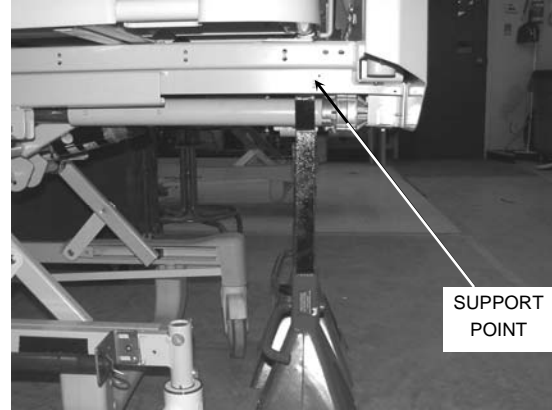
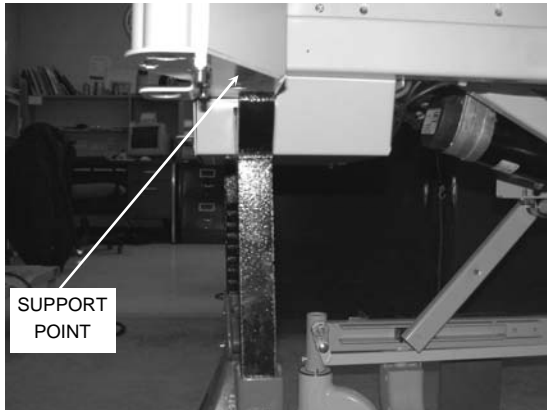
1. Raise the bed fully up and apply the brakes.
2. Unplug the bed power cord from the wall outlet.
3. Depending on the location of the load cell to replace, proceed with the following operation:

Head end of the bed: Remove the head board. Remove if applicable the plastic cover (optional) of the head section or raise fully up the head section.

Foot end of the bed: Remove the foot board. Remove if applicable the plastic cover (optional) of the foot section or raise fully up the foot section.

4. Using long-nose pliers, remove the two rue ring cotters/washers/clevis pins (A) holding the end of the defective load cell as well as the end of the one adjacent to it. It is important that the end of **both cells** be freed and their cables loosen for the coming steps.


5. Using cutting pliers, clip the two first cable ties holding the defective cell cable to the frame immediately after the cell. Do the same for the adjacent cell.
6. Plug in the bed power cord.



7. Place two jack stands under the frame at the head or foot end of the bed, depending on the location of the load cell to replace (see above illustration).
8. Lower the bed until the Allen screws holding the defective load cells to the frame are easily accessible.
9. Unplug the bed power cord from the wall outlet.
10. Using a 1/4" Allen key and a 1/2" wrench, remove the two nuts/Allen screws (B) holding the defective load cell to the frame.
11. Disengage the defective load cell cable from the cable ties holding it along its path to the scale control board and remove it from the board. Remove the defective cell.
12. Inspect the elastomer sleeves (C) to ensure that the inner circular hole has not become elliptic. Replace if it is the case.
13. Reverse the above steps to install the new load cell.
14. Calibrate the scale before returning the bed to service. Refer to the scale calibration procedure below.

SCALE CALIBRATION

• Verifying the Scale Accuracy

1. Empty the bed from all unnecessary material (accessories, linen, mattress, etc.) and zero the scale by doing the following:
 - Press  to activate the scale. The screen will display:

WEIGHT	ANGLE
XXX.X KG	+/-XX.X°
 - Press and hold ZERO. Display will read:
 HOLD TO ZERO WT., followed by:
 RELEASE TO ZERO (release ZERO), followed by:
 DO NOT TOUCH BED (do not touch the bed)
 Once done with the zeroing, the system will return to the Scale mode and will display zero for the weight and the current angle value.
2. Place a calibrated weight on the center of the mattress support. The weight displayed should be within the following range: $\pm 2\%$ for a weight equal or over 100 lb (45.4 kg) or ± 2 lb (0.9 kg) if the weight is lower than 100 lb (45.4 kg).
3. If the weight displayed is incorrect, remove the weight from the bed and calibrate the scale.

- **Scale Calibration**

**WARNING**

If the scale calibration procedure cannot be completed once it has been started, turn the main switch off and turn it back on to restore the previous calibration data.

NOTE

The scale calibration is done in three steps. Steps 2 and 3 come in automatically as soon as the preceding step is over. Once the calibration process is over, the system returns to the main maintenance menu.

In the maintenance context, the ZERO key enables the return to the previous level in the hierarchy of the maintenance menus.

Note that the system will automatically shut off after one minute of idle time when you are at the main maintenance menu level. Should this happen, the whole process to access the main maintenance menu will have to be repeated.

Required Tools:

Angle Meter

Procedure:

1. Power off the bed using the main switch at the head end of the bed.
2. Power on the bed and reach the foot end of the bed to simultaneously press both Up/Down keys of the scale interface menu. This operation allows access to the main maintenance menu. Display will read:

▶ DEBOG MENU
CALIB. MENU ▼

NOTE

You have exactly five seconds to reach the foot end of the bed and press the keys after having powered the bed. The system will shut off after this delay, simply repeat the process should it happen.

3. Choose CALIB. MENU using the Down key and press ENTER. Display will then read:

PUT BED AT 0°
PRESS ENTER

4. Put the angle meter on the seat section of the mattress support and position the bed to 0°. Then press ENTER. Display will read:

DO NOT TOUCH BED

5. As indicated, do not touch the bed until the end of this step. This is the longest of the three steps. Once over, the system will bring in the second step. Display will then read:

PUT BED AT +12°
PRESS ENTER

6. Incline the bed in the Trendelenburg position (head down, foot up) until the meter reads +12°. Ensure that the same material that was on the bed in step 1 stays in the bed. Then press ENTER. Display will then read:

DO NOT TOUCH BED

7. As indicated, do not touch the bed until the end of this step. Once over, the system will automatically bring in the third and last step. Display will then read:

PUT BED AT -12°
PRESS ENTER

8. Incline the bed in the Reverse Trendelenburg position (head up, foot down) until the meter reads -12°. Ensure that the same material that was on the bed in step 2 stays in the bed. Then press ENTER. Display will then read:

DO NOT TOUCH BED

9. As indicated, do not touch the bed until the end of this step. Once the last step is over, the system will automatically bring in the main maintenance menu.
10. To get back to the normal scale display, press ZERO.
11. Before returning the bed to service, Test the scale accuracy by following the operations described above under "Verifying Scale Accuracy".

NOTE

It is possible to leave the calibration process any time before step 3 is completed by pressing the ZERO key. The preceding calibration data will be restored.

If the bed is placed at the wrong angle in step two or three, the same message will reappear on the display until the bed is placed at the angle requested on the display.

CARDIAC CHAIR AND AUTO CONTOUR MICRO SWITCH REPLACEMENT

Required Tools:

Bungee Cord

No. 1 Phillips Screwdriver

Procedure:

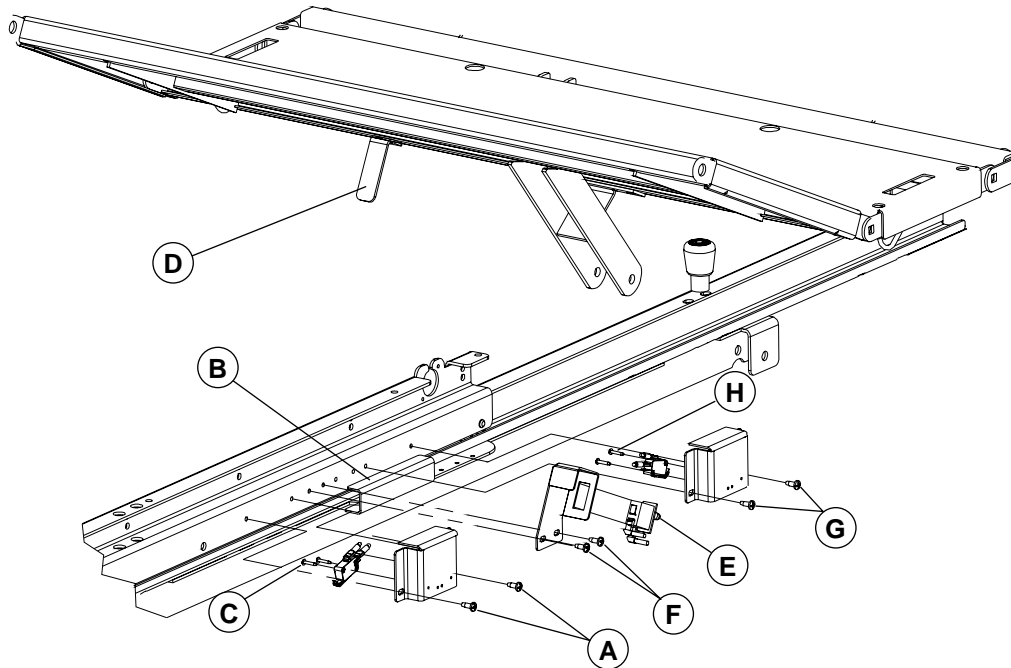


Figure 4.3G

1. Raise the bed fully up and apply the brakes.
2. Raise the thigh section. Remove the plastic cover (optional) of the head section, and lift and fold the foot section back toward the head end of the bed. Secure it to the bed using a bungee cord.

- **Cardiac Chair Micro Switch**

This switch tells the control board that the Fowler has reached the preset angle for the Cardiac Chair position.

3. Unplug the bed power cord from the wall socket.
4. Using a no. 1 Phillips screwdriver, remove the two screws (A) holding the support to the frame and remove the support.
5. Remove the cable wires from the switch. Note their location so they will be connected correctly to the new switch.

NOTE

The mounting position of the support may be adjusted thanks to the oblong holes on the support. The proper adjustment of the support enables the switch blade to be activated when it meets the activator (B) during the cardiac chair positioning process.

6. Using a no. 1 Phillips screwdriver, remove the two screws (C) holding the switch to the support and remove the defective switch.
7. Reverse the above steps to install the new micro switch.
8. Test the Cardiac Chair positioning for proper operation before returning the bed to service.
Note: The test of the Cardiac Chair must be done with a weight of at least 50 lb laid on the bed.

- **Micro Switch Common to the Cardiac Chair and Auto Contour Mechanisms**

This switch tells the control board that the Knee Gatch has reached the preset angle for the Cardiac Chair and auto Contour positions.

1. Remove the cable wires from the switch. Note their location so they will be connected correctly to the new switch.



2. Since the support has oblong holes to adjust its position, we will position the thigh section bed in such a way that the correct mounting adjustment will be easy to obtain.

Using the Knee Gatch down control, slowly lower the thigh section until only a light contact remains between the activator (D) attached to the knee section and the push-button switch (E). The replacement procedure will start from this point (see opposite illustration).

3. Unplug the bed power cord from the wall outlet.
4. Using a no. 1 Phillips screwdriver, remove the two screws (F) holding the support to the frame.

NOTE

Mount the support at the same position than the one mentioned at step 2.

5. Press the two switch clips to remove from the support.
6. Reverse the above steps to install the new micro switch.
7. Test the Cardiac Chair and the Auto Contour mechanisms for proper operation before returning the bed to service. **Note:** The Cardiac Chair test must be done with a weight of at least 50 lb laid on the bed.

- **Auto Contour Micro Switch**

This switch tells the control board to start lowering the Knee Gatch when the Fowler is lowered while the bed in the Auto Contour position.

1. Unplug the bed power cord from the wall outlet.
2. Using a no. 1 Phillips screwdriver, remove the two screws (G) holding the support to the frame and remove the support.
3. Remove the cable wires from the switch. Note their location so they will be connected correctly to the new switch.
4. Using a no.1 Phillips screwdriver, remove the two screws (H) holding the switch to the support.
5. Reverse the above steps to install the new micro switch.
6. Test the Auto Contour position for proper operation before returning the bed to service.

CPR MICRO SWITCH REPLACEMENT

Required Tools:

No. 1 Phillips Screwdriver No. 2 Phillips Screwdriver

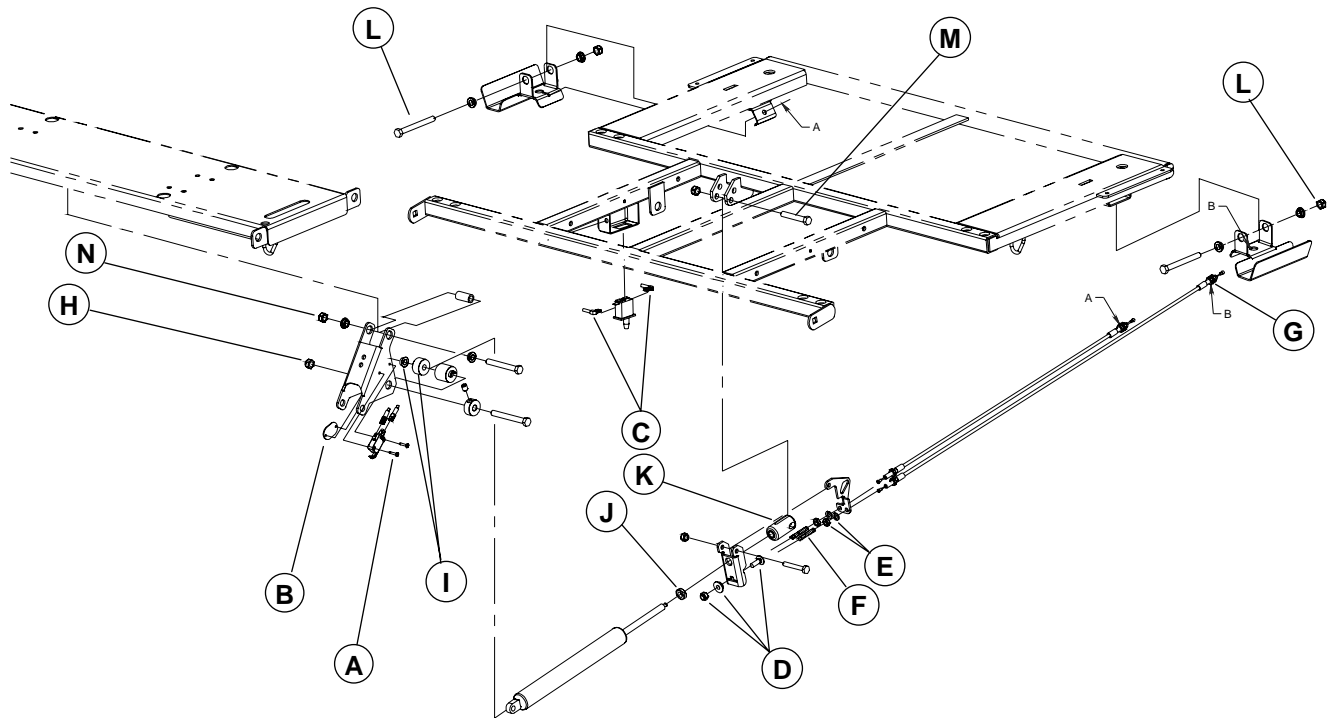


Figure 4.3H

Procedure:

1. Raise the bed fully up and apply the brakes.
2. Raise the head siderails.
3. Remove the plastic cover (optional) of the head section or raise the head section.
4. Unplug the bed power cord from the wall outlet.

- **Micro Switch Attached to the Head Section Lever**

This switch informs on the state of the Fowler actuator (engaged or disengaged) when the CPR emergency release is activated.

5. Using a no. 1 Phillips screwdriver, remove the two screws (A) holding the micro switch to the head section lever. Keep the mounting plate (B). Remove the defective micro switch.
6. Remove the cable wires from the micro switch. Note the location of the wires so they will be connected correctly to the new micro switch.
7. Reverse the above steps to install the new micro switch.
8. Test the CPR positioning before returning the bed to service.

- **Micro Switch Attached to the Head Section Structure.**

This switch signals to the motor control board on the one hand that the resetting of the Fowler actuator may begin because the Fowler is completely lowered, and on the other hand that the lowering to flat of the Knee Gatch may also begin.

9. Remove the cable wires (C) from the micro switch. Note the location of the wires so they will be connected correctly to the new micro switch.
10. Press the switch clips to remove it from the support.
11. Reverse the above steps to install the new micro switch.
12. Test the CPR positioning before returning the bed to service.

CPR ACTIVATION CABLE REPLACEMENT

Required Tools:

7/16" Wrench

Procedure:

NOTE

Unless otherwise indicated, refer to figure 4.3H on page 46 for the illustration of this procedure reference points.

1. Raise the bed fully up and apply the brakes.
2. Remove the head section plastic cover (optional) or raise the head section completely.
3. Remove the head board.
4. Unplug the bed power cord from the wall outlet.
5. Using a 7/16" wrench, remove the nut/sleeve/bolt (D) holding both ends of the activation cable to the fixed lever.
6. Using 7/16" wrench, remove the nut/washer (E) holding the cable jacket to the mobile lever. Remove the cable from the lever and keep the spring (F). Try as much as possible not to move the other cable from its position.
7. Unscrew completely the two lock nuts (G) holding the jacket of the other end of the cable to the CPR handle. Remove the wire from the handle. Once the new cable is installed, the free play of the CPR handle must not be more than 1/8".
8. Reverse the above steps to install the new cable.
9. Test the CPR positioning before returning the bed to service.

CPR PNEUMATIC CYLINDER

Required Tools:

Long Nose Pliers

Two 1/2" Wrenches

Strap

11/16" Wrench

Procedure:

NOTE

Unless otherwise indicated, refer to figure 4.3H on page 46 for the illustration of this procedure reference points.

1. Raise the bed fully up and apply the brakes.
2. Remove the head section plastic cover (optional).
3. Unplug the bed power cord from the wall outlet.
4. Using needle nose pliers, remove the Rue ring/washer/nylon washers (2)/clevis pin (A, fig. 4.3B, page 30) hooking up the head actuator tube to the seat section lever arms.

NOTE

Apply grease on the clevis pin and the nylon washers before hooking up the actuator tube to the head section.

5. Manually lift the head section completely and secure its position using a strap.

6. Using two 1/2" wrenches, remove the nut (H) from the bolt holding the lower end of the pneumatic cylinder. Partially remove the bolt until the lower end of the cylinder is free. Keep the shoulder spacer/sleeve (I). Disengage the lower end of the cylinder from the remaining sleeve.
7. Using an 11/16" wrench, loosen the lock nut (J) and unscrew the cylinder completely from the end fitting (K). Note the location of the lock nut before loosening it so the new cylinder will be properly screwed into the end fitting.
8. Reverse the above steps to install the new cylinder.
9. Test the CPR mechanism for proper operation before returning the bed to service.

4.4 BASE MAINTENANCE PROCEDURES

BRAKE/STEER PEDAL REPLACEMENT

Required Tools:

1/2" Socket Wrench

Soft Hammer

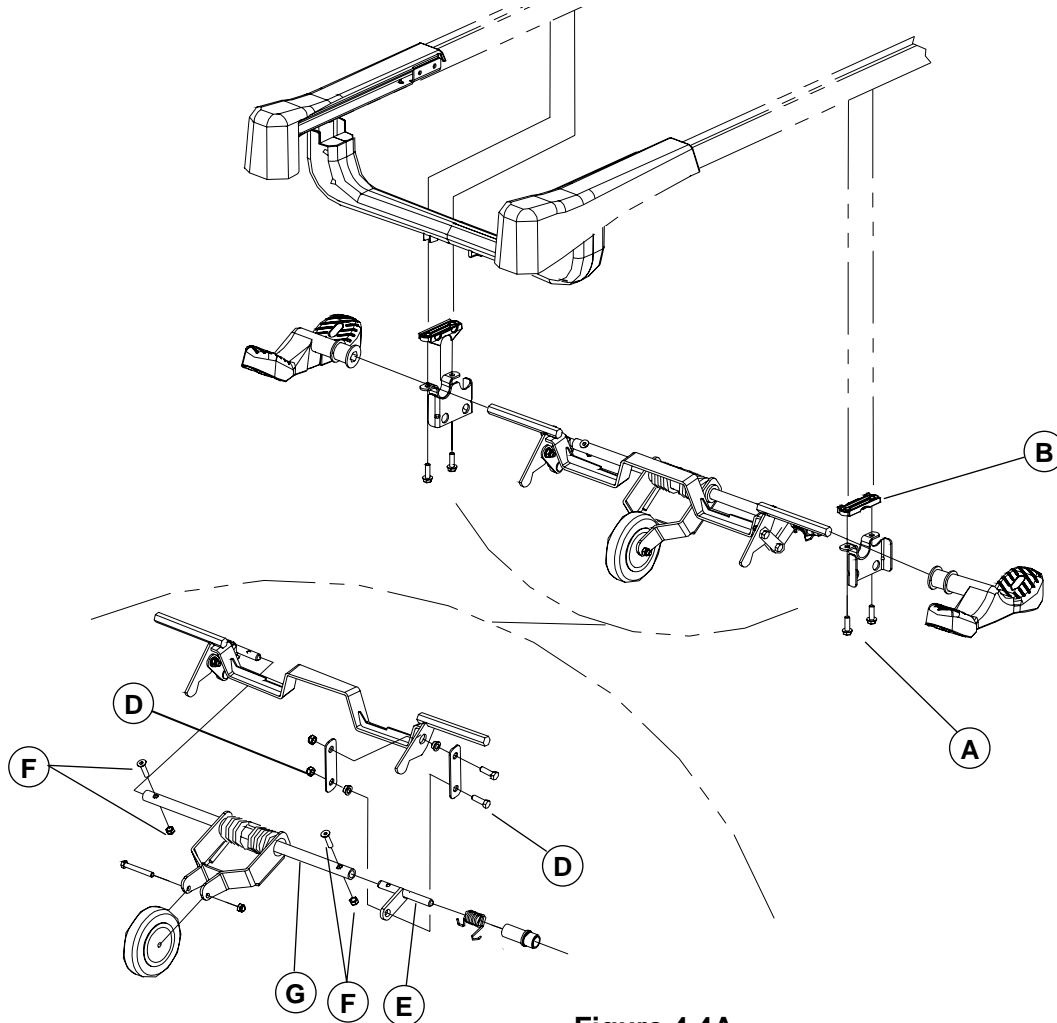


Figure 4.4A

Procedure:

1. Raise the bed fully up.
2. Unplug the bed power cord from the wall outlet.
3. Remove the optional steer wheel hood.

NOTE

When reinstalling the steer wheel hood, make sure the colors (green and red) of the stickers affixed on the hood and the brake/steer pedal match.

4. Position the brake/steer pedal to neutral.
5. Using a 1/2" socket wrench, remove the two bolts (A) holding the steer wheel support on the side of the defective pedal and lay the support down. Keep the molded spacer (B).
6. Using a soft hammer, remove the pedal from the activation lever shaft.
7. Reverse the above steps to install the new pedal.

STEER WHEEL CASTER REPLACEMENT

Required Tools:

Two 1/2" Wrenches

Procedure:

NOTE

Unless otherwise indicated, refer to figure 4.4A on page 49 for the illustration of this procedure reference points.

1. Raise the bed fully up.
2. Unplug the bed power cord from the wall outlet.
3. Remove the optional steer wheel hood.

NOTE

When reinstalling the steer wheel hood, make sure the colors (green and red) of the stickers affixed on the hood and the brake/steer pedal match.

4. Position the brake/steer pedal to neutral.
5. Using two 1/2" wrenches, remove the nut/bolt (C) holding the caster to the swing arm.
6. Reverse the above steps to install the new caster.

STEER WHEEL ASSEMBLY REPLACEMENT

Required Tools:

1/2" Socket Wrench

Soft Hammer

Procedure:

NOTE

Unless otherwise indicated, refer to figure 4.4A on page 49 for the illustration of this procedure reference points.

1. Raise the bed fully up.
2. Unplug the bed power cord from the wall outlet.
3. Remove the optional steer wheel hood.

NOTE

When reinstalling the steer wheel hood, make sure the colors (green and red) of the stickers affixed on the hood and the brake/steer pedal match.

4. Position the brake/steer pedal to neutral.
5. Using a 1/2" socket wrench, remove the two nuts/shoulder spacers/washers/bolts (C1, fig. 4.4B, page 52) holding the brake rods to the locking levers on both sides of the mechanism. If the optional four-wheel brake system is present on the bed, also remove the fasteners holding the two other brake rods to the locking levers.
6. Using a 1/2" socket wrench, remove the two bolts (A) holding each side of the steer wheel mechanism to the base. Keep the molded spacers (B). Remove the assembly.
7. Using a soft hammer, remove the two brake/steer pedals from the activation lever shafts.
8. Keep the two locking levers (D, fig. 4.4B, page 52).
9. Reverse the above steps to install the new steer wheel assembly.
10. Test the steer wheel before returning the bed to service.

STEER WHEEL SWING ARM ASSEMBLY REPLACEMENT**Required Tools:**

1/2" Socket Wrench

Two 1/2" wrenches

3/16" Allen Key

Procedure:**NOTE**

Unless otherwise indicated, refer to figure 4.4A on page 49 for the illustration of this procedure reference points.

1. Raise the bed fully up.
2. Unplug the bed power cord from the wall outlet.
3. Remove the optional steer wheel hood.

NOTE

When reinstalling the steer wheel hood, make sure the colors (green and red) of the stickers affixed on the hood and the brake/steer pedal match.

4. Position the brake/steer pedal to neutral.
5. Using a 1/2" socket wrench, remove the nut/shoulder spacer/washer/bolt (C1, fig. 4.4B, page 52) holding the brake rod to the locking lever on the right side of the steer wheel mechanism. If the optional four-wheel brake system is present on the bed, also remove the fasteners holding the other brake rod to the locking lever.
6. Using a 1/2" socket wrench, remove the two bolts (A) holding the right steer wheel support to the base. Lay the support down and keep the molded spacer (B).
7. Using two 1/2" wrenches, remove the nut/shoulder spacers/bolt (D) holding the right torsion lever (E) to the lower part of the right counter lever.
8. Using a 1/2" wrench and a 3/16" Allen key, remove the two nuts/Allen screws (F) holding the torsion levers (E) to both ends of the torque shaft (G).

NOTE

At reassembly, screw down the Allen screws before installing the nuts.

9. Disengage the swing arm assembly from the torsion levers and remove it.
10. Using two 1/2" wrenches, remove the nut/bolt (C) holding the caster to the swing arm and replace the caster on the new swing arm assembly.
11. Reverse the above steps to install the new swing arm assembly.
12. Test the steer wheel before returning the bed to service.

BED CASTER REPLACEMENT

Required Tools:

Jack Stand

Long Nose Pliers

1/2" Wrench

Procedure:

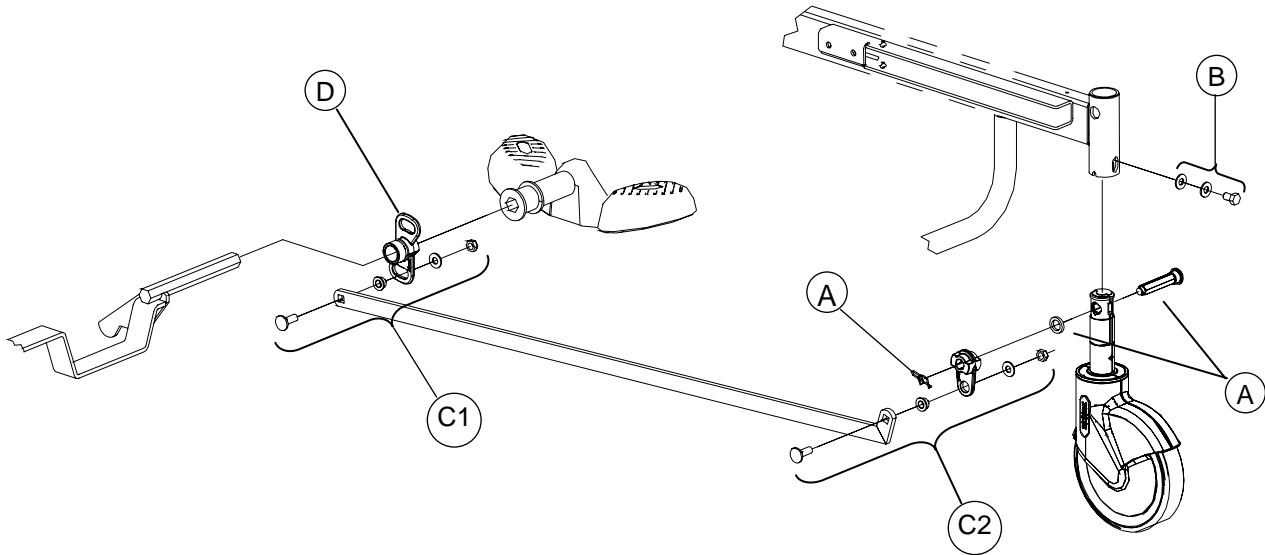
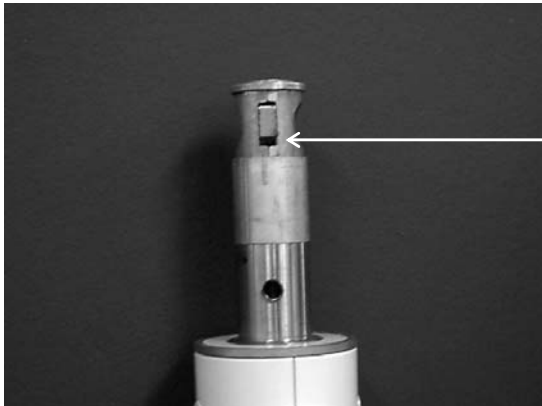


Figure 4.4B

1. Raise the bed fully up.
2. Position the brake/steer to neutral
3. Install a jack stand under the frame where the defective caster is.
4. Using a Phillips screwdriver, remove the screw holding the wheel cover and remove it.
5. Lower the bed until the caster is six inches off the ground.
6. Unplug the bed power cord from the wall outlet.



7. If the caster is part of the braking mechanism, remove, using long-nose pliers, the rue ring cotter/washer/locking axle (A) linking the caster shaft to the locking lever.

NOTE

The shaft of a caster that is part of the braking mechanism must be properly oriented before mounting it to the base. The opposite illustration shows the side of the shaft that should be facing the inside of the bed. It is the side showing the largest hole below the cam in the neutral position.

8. Using a 1/2" wrench, remove the bolt/washers (B) holding the caster to the base.

NOTE

Before tightening the bolt (B), make sure the shaft is completely inserted into the mounting socket.

9. Reverse the above steps to install the new caster.

BRAKE ROD REPLACEMENT

Required Tools:

1/2" Wrench

Procedure:

NOTE

Unless otherwise indicated, refer to illustration 4.4B on page 52 for the illustration of this procedure reference points

1. Raise the bed fully up.
2. Remove the steer wheel hood.

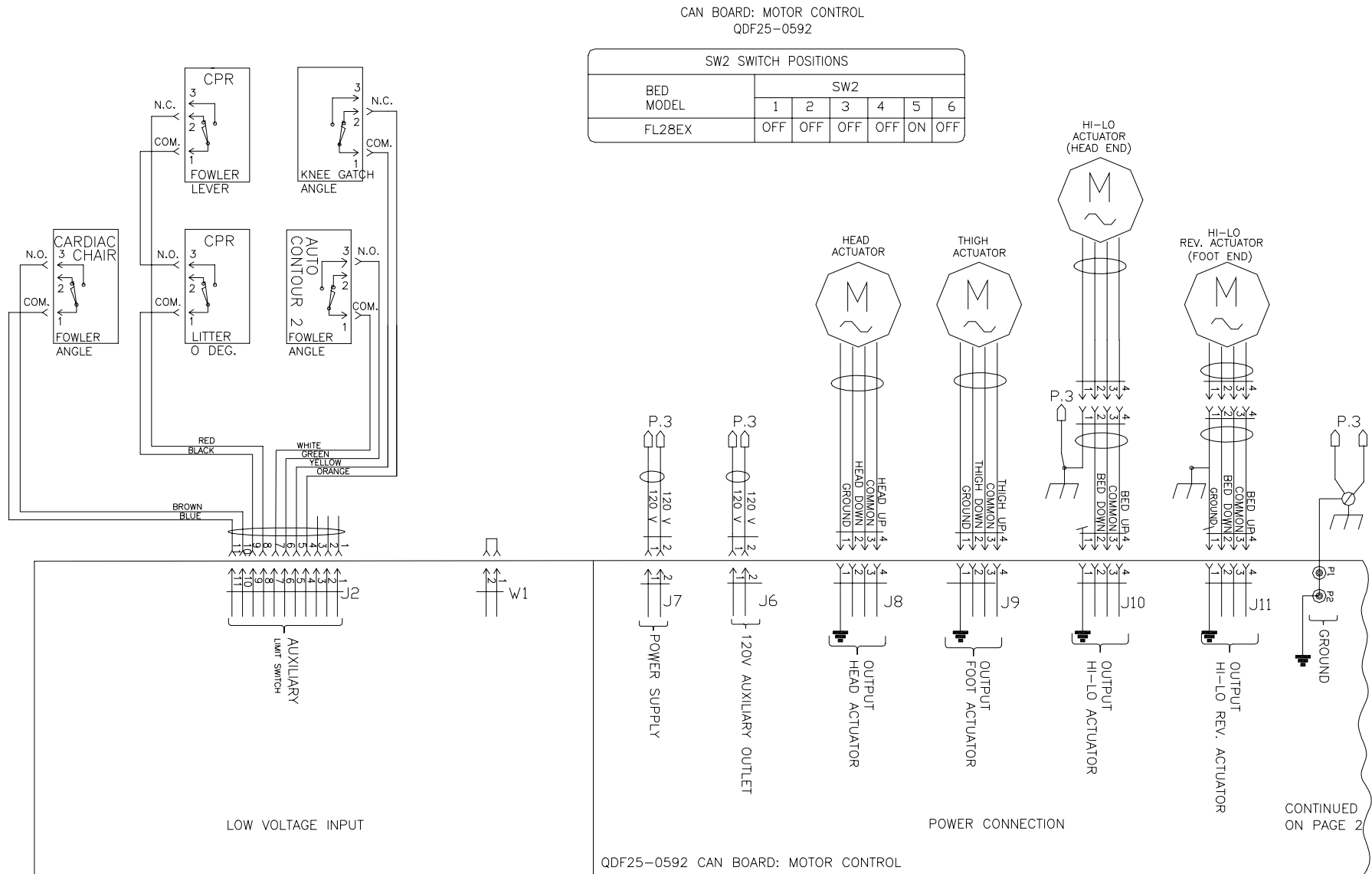
NOTE

When reinstalling the steer wheel hood, make sure the colors (green and red) of the stickers affixed on the hood and the brake/steer pedal match.

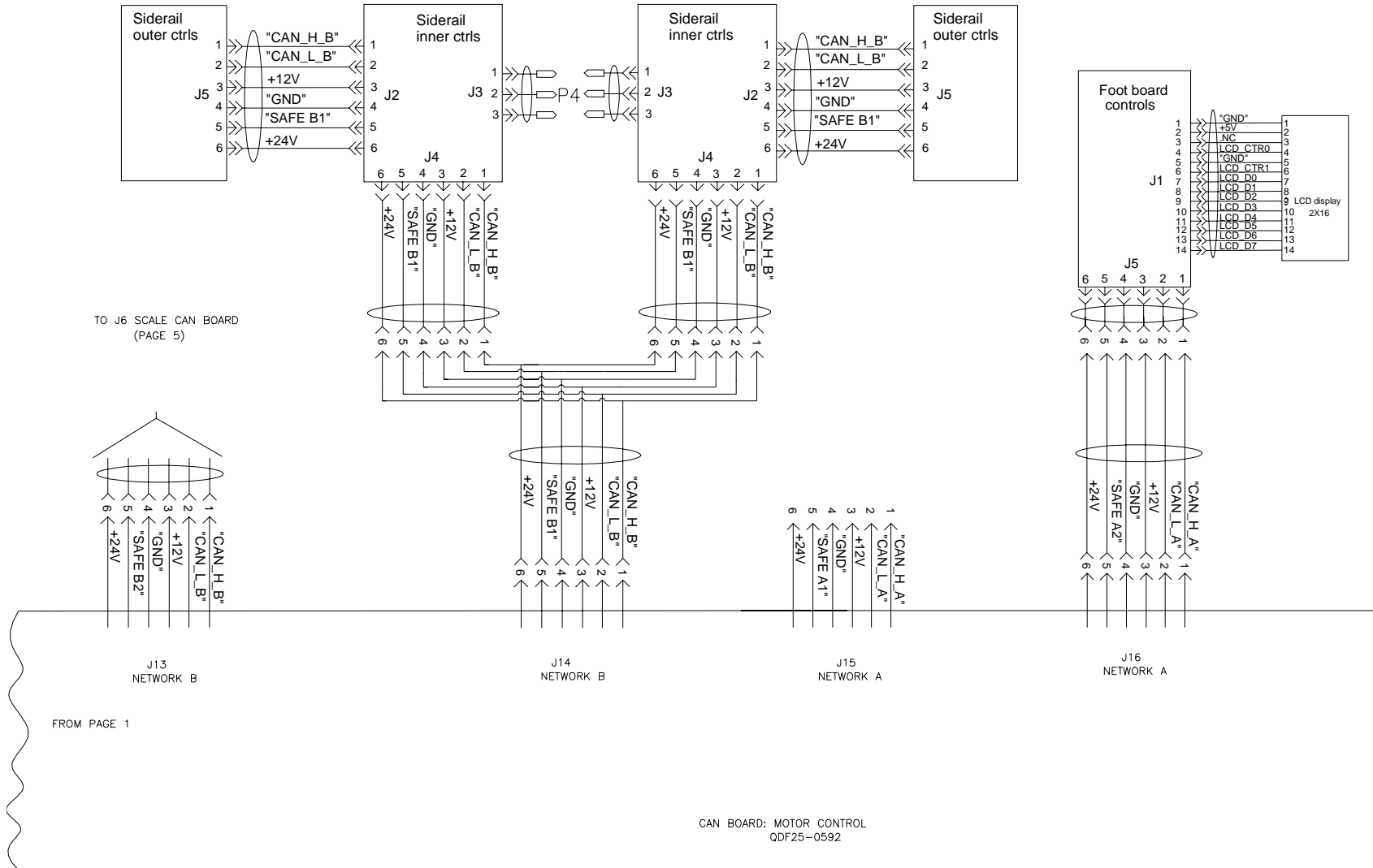
3. Using a 1/2" wrench, remove the nut/shoulder spacer/washer/bolt (C1, C2) holding each end of the brake rod to the locking levers.
4. Remove the defective rod.
5. Reverse the above steps to install the new brake rod.
6. Test the brakes before returning the bed to service.

Appendix A: Circuit Diagrams

A) Motor Control Board - CAN Network (Page 1 of 2)



A) Motor Control Board - CAN Network (Page 1 of 2)



CAN BOARD-HEAD SIDERAIL OUTER CTRL PANEL QDF21-1151

SW6 SWITCH POSITIONS					
BOARD LOCATION	SW6				
	1	2	3	4	5
LEFT	OFF	ON	ON	ON	ON
RIGHT	ON	ON	ON	OFF	OFF

CAN BOARD-HEAD SIDERAIL INNER CTRL PANEL QDF21-1169

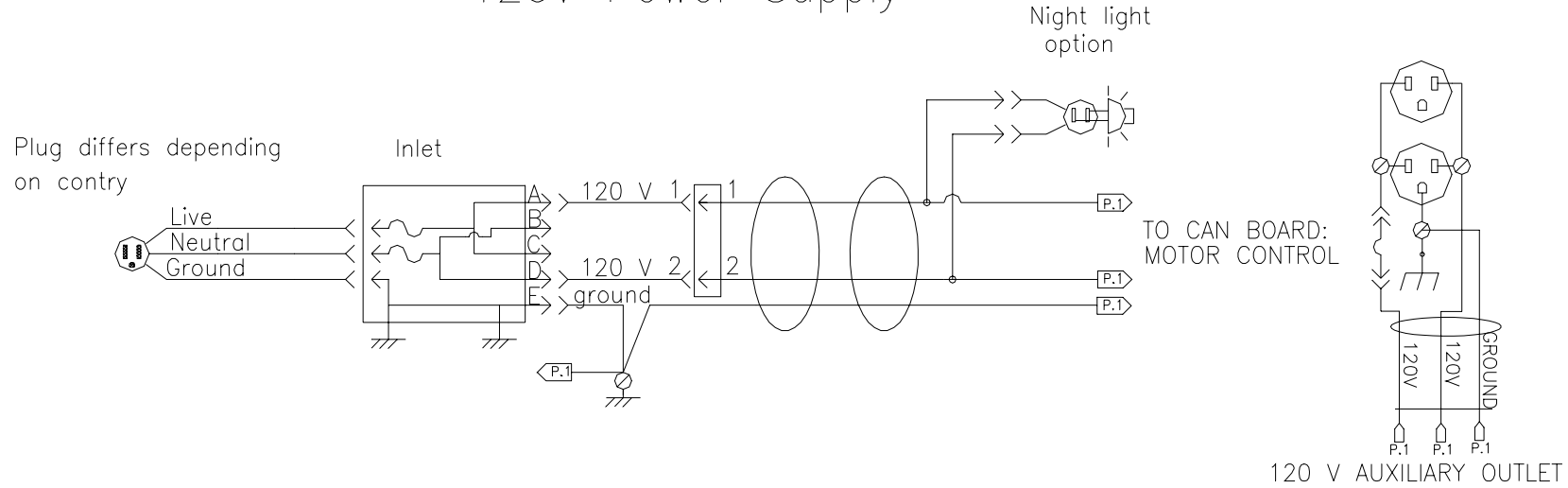
SW13 SWITCH POSITIONS			
BOARD LOCATION	SW13		
	1	2	3
LEFT	OFF	OFF	OFF
RIGHT	ON	OFF	OFF

CAN BOARD-SIDERAIL CTRL PANEL/FOOT END CTRL PANEL QDF21-1154

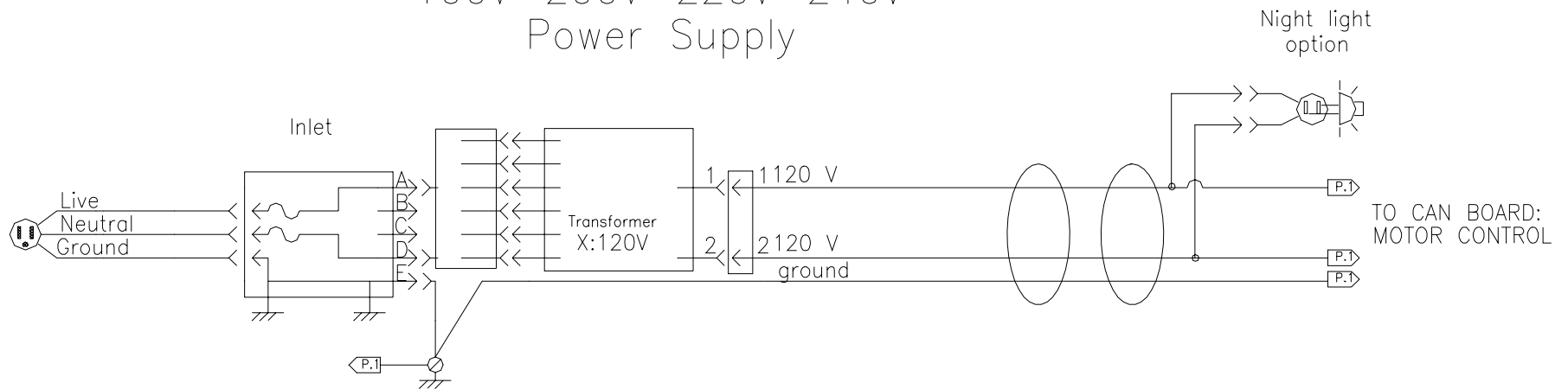
SW23 SWITCH POSITIONS					
BOARD LOCATION	SW23				
	1	2	3	4	5
FOOT END	ON	OFF	ON	ON	ON

B) Power Supply

120V Power Supply

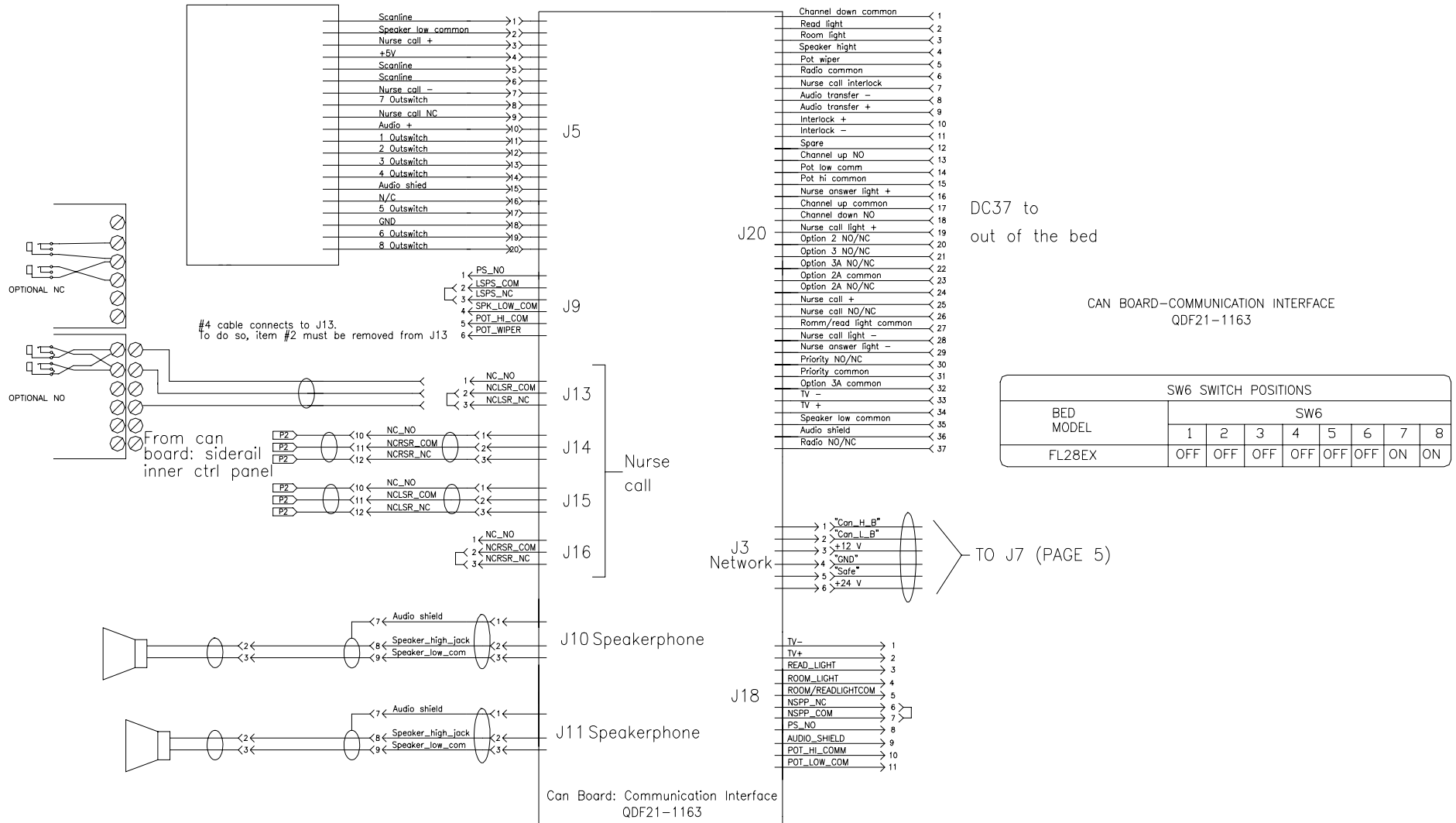


100V-200V-220V-240V
Power Supply



C) Communication Interface (Optional)

COMMUNICATION INTERFACE (OPTIONAL)



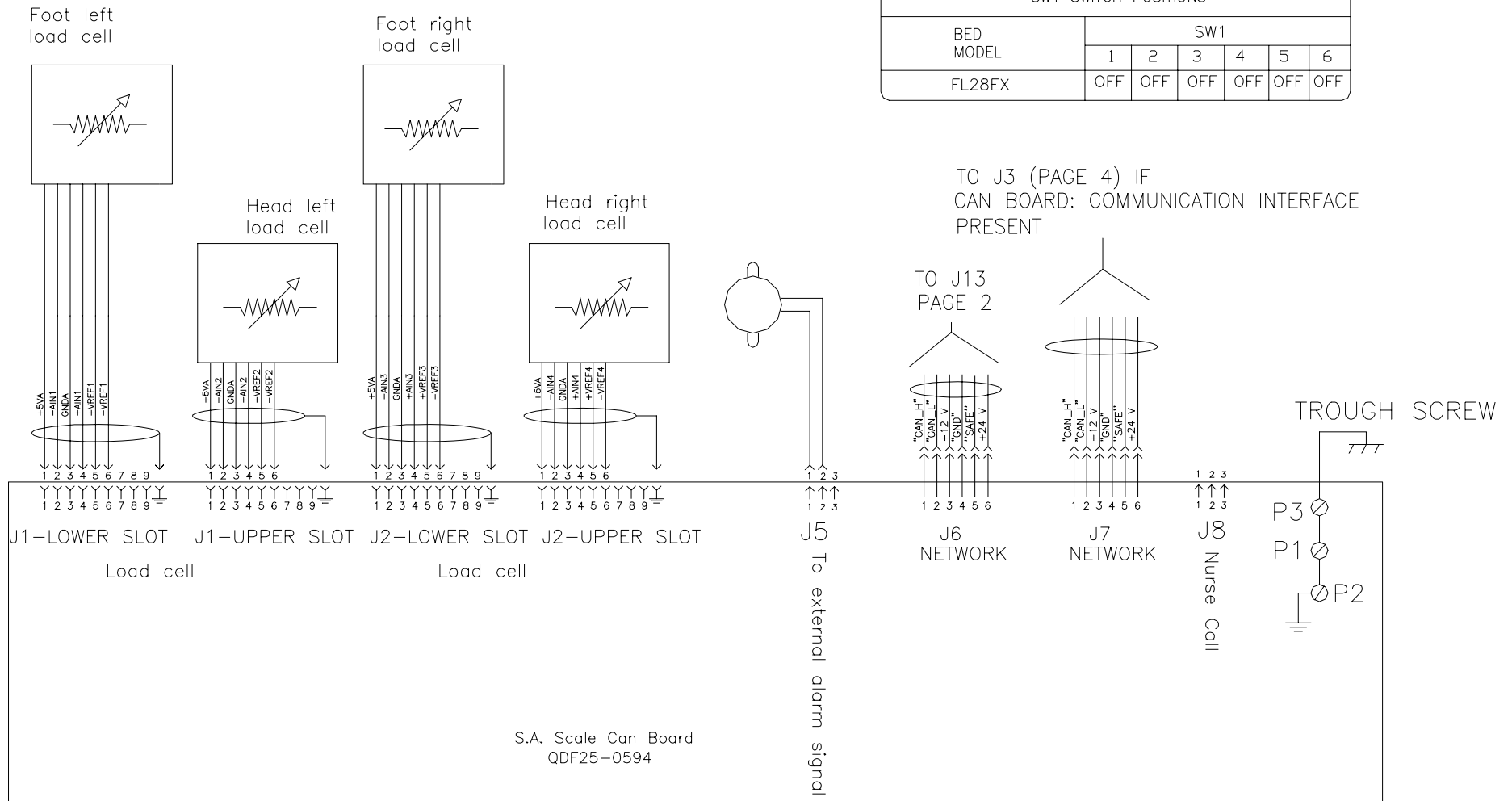
D) Scale

SCALE

S.A. SCALE CAN BOARD
25-0594

SW1 SWITCH POSITIONS						
BED MODEL	SW1					
	1	2	3	4	5	6
FL28EX	OFF	OFF	OFF	OFF	OFF	OFF

TO J3 (PAGE 4) IF
CAN BOARD: COMMUNICATION INTERFACE
PRESENT



Appendix B: Maintenance Menu: Signification of Error Codes and Digital Inputs

- **Error Codes**

Safe Error Codes

A safe error may mean either that a control panel button is pressed without the safe signal being caught, or a safe signal is caught without any control being pressed.

- 0 = Safe without command from A1 - for future use
- 1 = Safe without command from A2 - Foot board
- 2 = Safe without command from B1 - Room interface
- 3 = Safe without command from B2 - Siderail
- 4 = Command without safe from head right siderail – outer control panel
- 5 = Command without safe from head left siderail – outer control panel
- 6 = Command without safe from the head right siderail - inner control panel
- 7 = Command without safe from the head left siderail - inner control panel
- 8 = Command without safe from the foot board control panel
- 9 = Command without safe from Room interface

ADC Error Codes

On the AC control board, there is an analog to digital converter (ADC) that measures the board voltage. The ADC measures three voltages. The error happens when one or more of these voltages are too low or too high. The lockout LEDs will flash when a voltage error occurs.

- 10 = 24V is too high. May be caused by the AC line that is too high.
- 11 = 24V is too low. May be caused by the AC line that is too low, by a module that draws too much current or by the AC control board (see note 1)
- 12 = 12V is too high (12V for other modules). There is a problem with the AC control board.
- 13 = 12V is too low (12V for other modules). May be caused by a module that draws too much current or by the AC control board (see note 1).
- 14 = 12 VK is too high (12V for relay). There is a problem with the AC control board.
- 15 = 12 VK is too low (12V for relay). May be the jumper W1 is absent on AC control board: verify if jumper W1 is present. May also be caused by a module that draws too much current or by the AC control board. If there is a problem with the 12VK, there will also be a problem with 12V.

To check if a module draws too much current, unplug each module one after the other to find which one draws too much current. If unplugging one module solves the problem, then replace the module. However, if all the modules are removed and the problem still persists, replace the AC control board.

Scale Error Codes

When the scale control board is connected to the network and operational, it can send errors to the AC control board that will then display the error code. A scale error will cause the Bed Exit LED(s) to flash.

- 16 = Tilt chip failure. The tilt chip on the board is faulty.
- 17 = Scale chip failure. The scale chip on the scale board is faulty.

For errors 16 and 17, try to unplug the bed and wait 5 seconds. Then plug the bed back. If the error still persists, replace the scale board and recalibrate the bed scale.

- 18 = Foot left load cell is out of range: load cell may be disconnected, faulty or scale board is faulty.
- 19 = Head right load cell is out of range: load cell may be disconnected, faulty or scale board is faulty.
- 20 = Foot right load cell is out of range: load cell may be disconnected, faulty or scale board is faulty.

21 = Head left load cell is out of range: load cell may be disconnected, faulty or scale board is faulty.

For errors 18 to 21, first proceed to a visual inspection to detect any stuck or broken cable. If there seems to be no visible problem, then try to invert two load cells on the scale connectors. This will help to find if the load cell or the scale board is faulty. After inversion, if the error changes, the problem is with the load cell. Replace the load cell. However, if the error stays on the same channel, then the problem is with the scale board. Replace scale board. In both cases, the bed has to be recalibrated

- **Digital Inputs**

A	B	C	D	E	F	G	H	I							
0	0	0	0	0	0	0	0	0							

The second row numbers represent the state of the first row inputs:

1 = Active

0 = Inactive

Each letter of the first row is an input on the AC control board:

A = Dip switch 1 on the AC control board; reserved for future use.

B = Dip switch 2 on the AC control board; reserved for future use.

C = Dip switch 3 on the AC control board; reserved for future use.

D = Dip switch 4 on the AC control board; reserved for future use.

E = CPR, limit switch

F = Auto contour limit switch on Knee Gatch section

G = Auto contour limit switch on head section

H = Under bed obstruction, limit switch (optional)

I = Limit switch for cardiac chair head up (head actuator reaches high position)