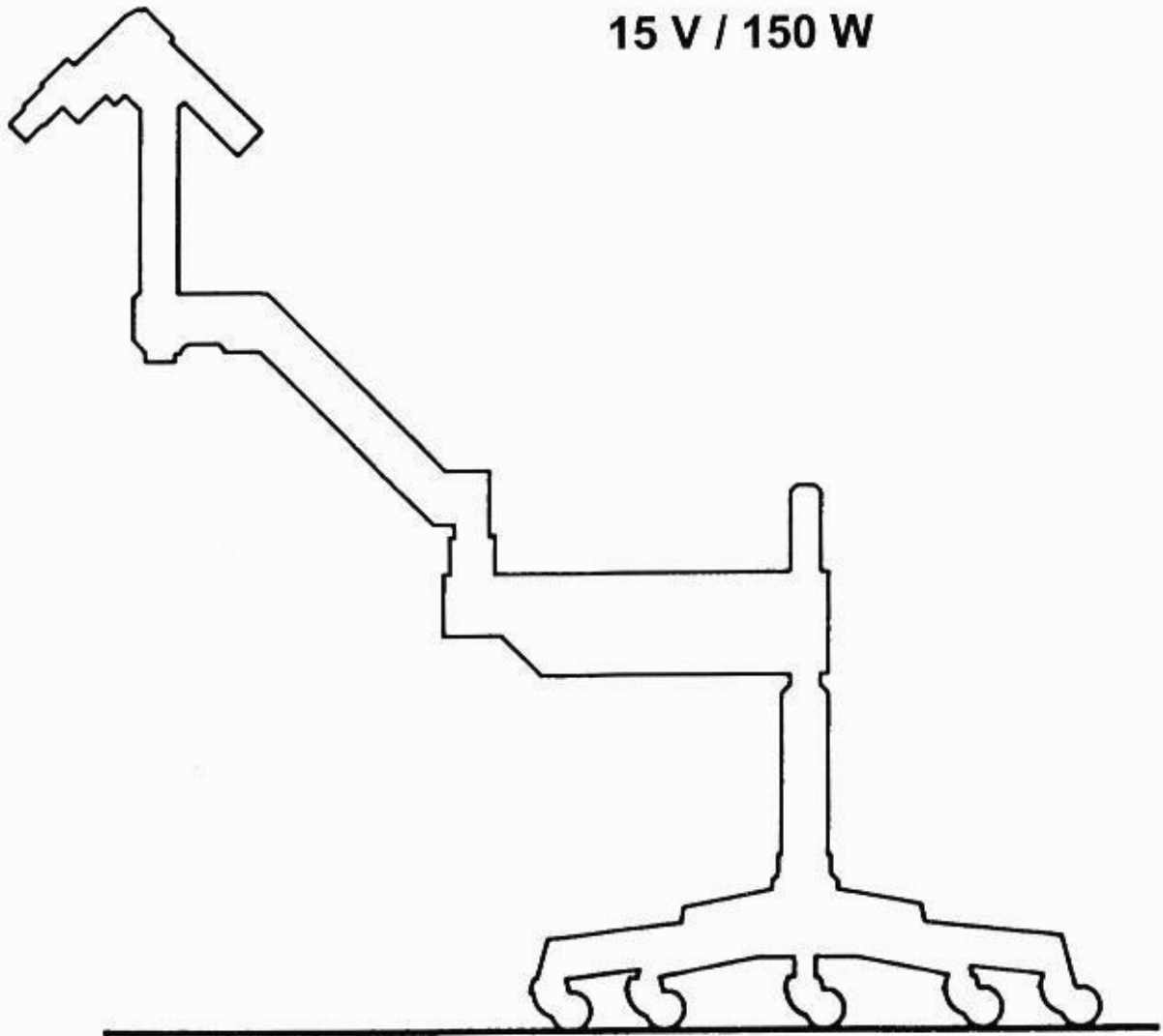


SOM 42 / 52
KALTLICHT / COLD LIGHT
SERVICE INFORMATION

15 V / 150 W



Karl Kaps GmbH & Co. KG

☎ 06441 / 80704-0
Fax 06441 / 85985
Postfach 1225, D-35608 Asslar
Europastraße, D-35614 Asslar
www.kaps-optik.de
e-mail: info@kaps-optik.de

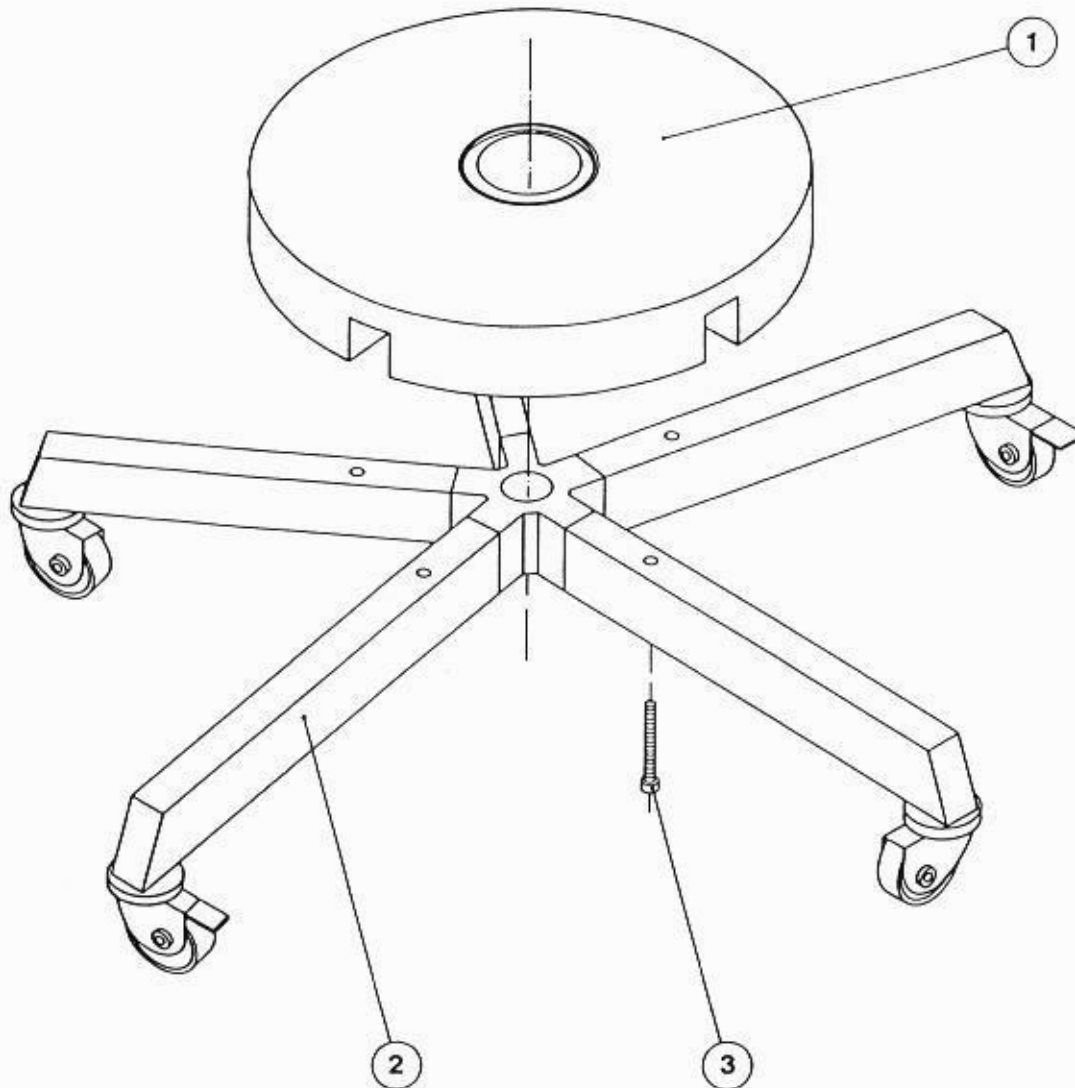
| Bestell Nr. order no. | Benennung name | Seite page |
|--------------------------|--|---------------|
| 105-130-000 | Rollstativ (nur bei Geräteausführung SOM 52) Roller stand (only in case of SOM 52) | 3 |
| 105-140-000 | Säulenstativ (nur bei Geräteausführung SOM 52) Supporting column (only in case of SOM 52) | 4, 5 |
| 162-310-200 | Schwenkarm Kaltlicht 15 V / 150 W Swivel arm cold light 15 V / 150 W | 6 - 8 |
| 162-325-000 | Kaltlichteinschub Cold light insert | 9, 10 |
| 162-380-100 | Schwebearm Kaltlicht Suspension arm cold light | 11 - 13 |
| 102-130-000 | Mikroskopträger Microscope carrier | 14, 15 |
| 102-160-100 | Vergrößerungseinheit 3fach Magnification unit 3fold | 16 - 18 |
| 162-335-000 | Kaltlichtadapter Cold light adapter | 19, 20 |
| 101-945-000 | Binokular Geradtubus f = 125 mm Binocular straight tube f = 125 mm | 21 - 23 |
| 101-560-000 | Weitfeldokular WF 20 x V Wide field eyepiece WF 20 x V | 24, 25 |
| 101-640-000 | Objektiv f = 250 mm Objective f = 250 mm | 26 |

Hinweis:

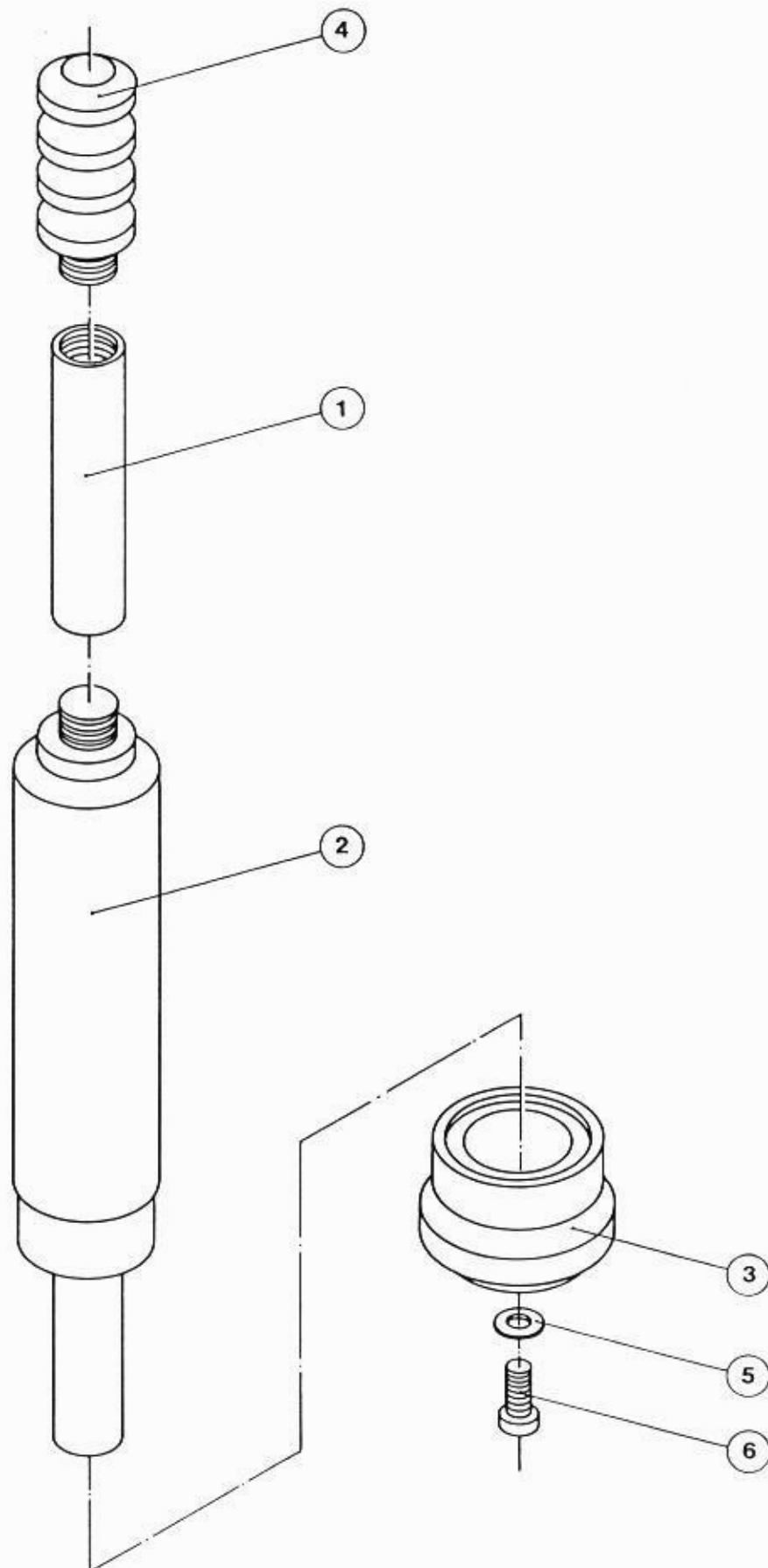
Das Kolposkop SOM 42 ist identisch mit SOM 52, bis auf das Rollstativ.
Anstelle des Rollstatives werden verschiedene Halterungen für alle gängigen
Untersuchungsstühle angeboten.

Indication:

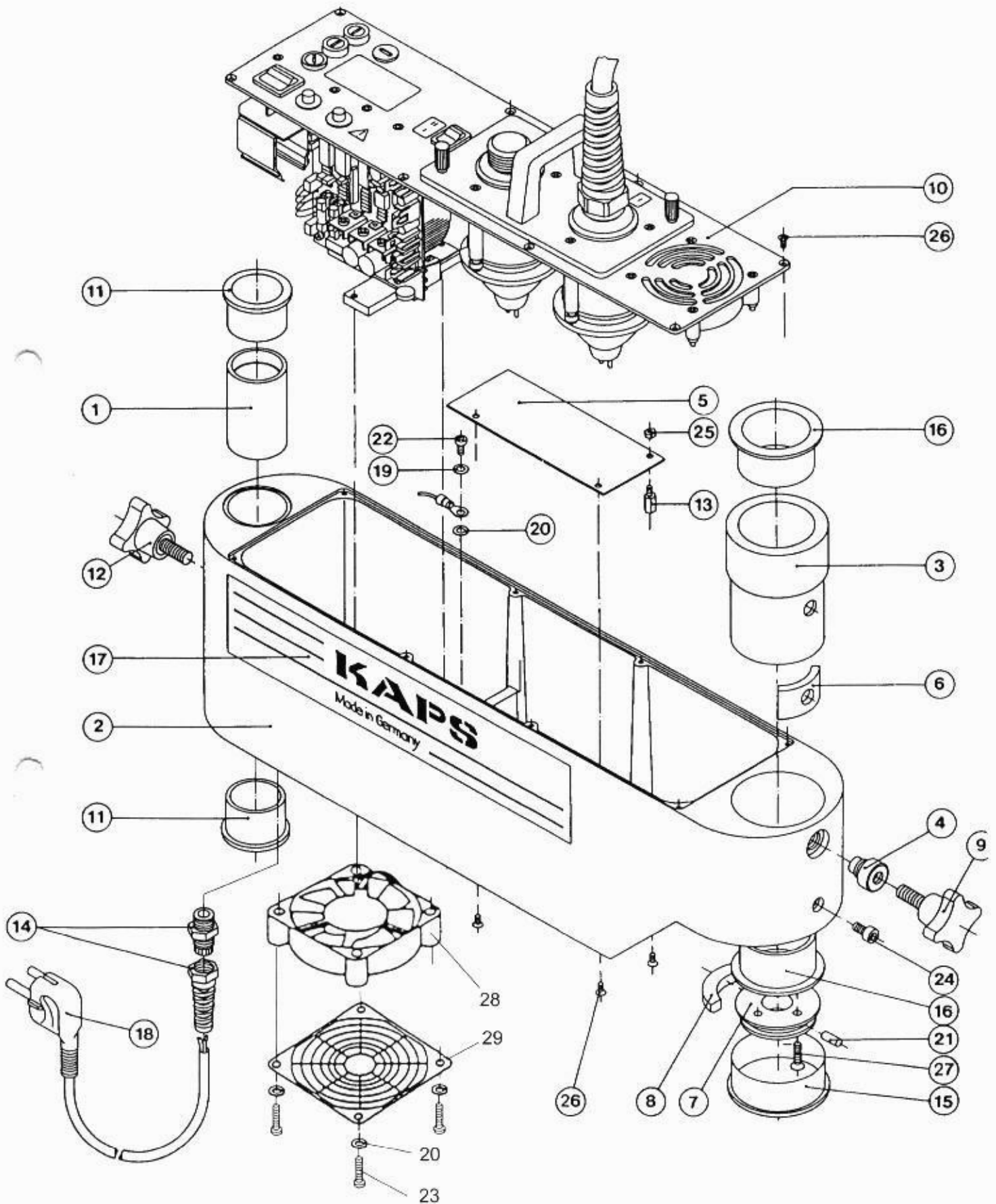
The colposcope SOM 42 is identical with SOM 52.
Instead of mobile supporting base be on offer different holders.



| Pos. pos. | Benennung name | Stck pieces | Bestell Nr. order no. | Bemerkung note |
|--------------|----------------------------------|----------------|--------------------------|-------------------|
| 1 | Gewicht weight | 1 | 105.130-001 | |
| 2 | Fünffuß 310 base on 5 rollers | 1 | 700.674 | |
| 3 | Schraube screw | 5 | DIN 912-M6x60 | A2 |

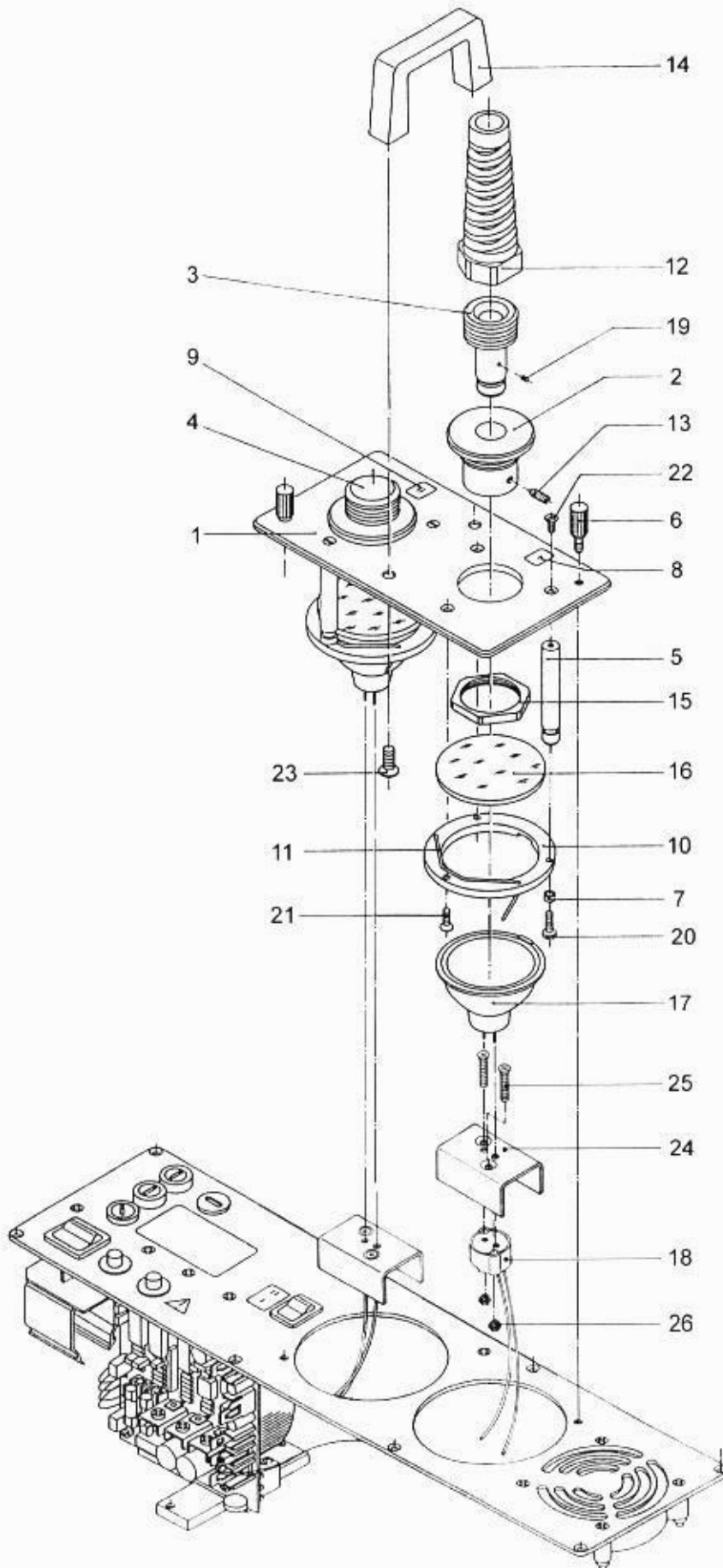


| Pos. pos. | Benennung name | Stck pieces | Bestell Nr. order no. | Bemerkung note |
|--------------|-------------------|----------------|--------------------------|-------------------|
| 1 | Rohr tube | 1 | 102.110-004 | |
| 2 | Achse axis | 1 | 105.140-001 | |
| 3 | Flansch flange | 1 | 105.140-002 | |
| 4 | Griff handle | 1 | 105.140-004 | |
| 5 | Scheibe washer | 1 | DIN 125-A10,5 | A2 |
| 6 | Schraube screw | 1 | DIN 912-M10x25 | A2 |

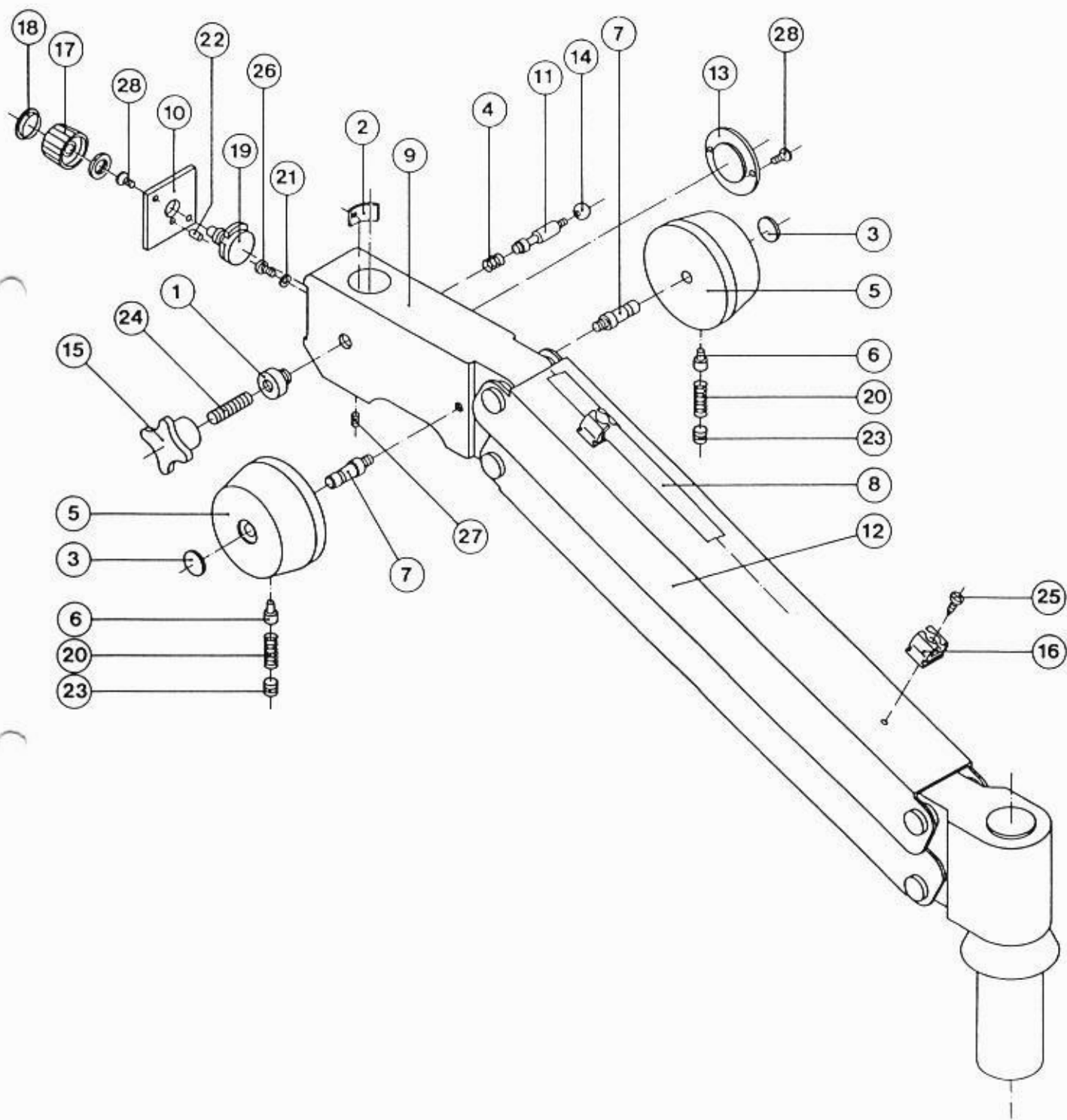


| Pos. pos. | Benennung name | Stck pieces | Bestell Nr. order no. | Bemerkung note |
|--------------|--|----------------|--------------------------|-------------------|
| 1 | Klemmhülse clamping sleeve | 1 | 162-110-003 | |
| 2 | Schwenkarm swivel arm | 1 | 162-110-104 | |
| 3 | Buchse bushing | 1 | 162-110-105 | |
| 4 | Gewindebuchse threaded bushing | 1 | 162-110-106 | |
| 5 | Blech sheet | 1 | 162-110-107 | |
| 6 | Bremsklotz brake | 1 | 162-110-110 | |
| 7 | Anschlag stop | 1 | 162-110-111 | |
| 8 | Segment segment | 1 | 162-110-112 | |
| 9 | Kreuzgriff cross handle | 1 | 162-111-000 | |
| 10 | Deckel Kaltlicht 15 V / 150 W cover cold light 15 V / 150 W | 1 | 162-320-200 | |
| 11 | Buchse bushing | 2 | 104-111-003 | |
| 12 | Kreuzgriff cross handle | 1 | 104-123-000 | |
| 13 | Abstandsbolzen distance bolt | 3 | 700-077 | |
| 14 | Kabelverschraubung BS7 cable screwing BS7 | 1 | 700-127 | |
| 15 | Kappe cap | 1 | 700-345 | |
| 16 | DU - Buchse DU - bushing | 2 | 700-589 | |
| 17 | Aufkleber Kaps adhesive label Kaps | 1 | 700-600 | |
| 18 | Netzkabel mit Stecker mains cord with plug | 1 | 700-730 L = 3 m | SOM 42 |
| | Netzkabel mit Stecker Mains cord with plug | 1 | 700-733 L = 6 m | SOM 52 |
| 19 | Schnorr - Sicherung locking washer | 2 | 4,3 | |
| 20 | Zahnscheibe toothed disc | 4 | DIN 6797-A4,3 | A2 |
| 21 | Zylinderstift cylinder pin | 1 | DIN 7-5m6x12 | A2 |
| 22 | Schraube screw | 2 | DIN 7985-M4x8 | A2 |

| Pos. pos. | Benennung name | Stck pieces | Bestell Nr. order no. | Bemerkung note |
|--------------|---------------------------|----------------|--------------------------|-------------------|
| 23 | Schraube screw | 2 | DIN 7985-M4x25 | A2 |
| 24 | Schraube screw | 1 | DIN 912-M5x10 | A2 |
| 25 | Mutter nut | 3 | DIN 934-M3 | A2 |
| 26 | Schraube screw | 11 | DIN 965-M3x6 | A2 |
| 27 | Schraube screw | 7 | DIN 965-M4x16 | A2 |
| 28 | Lüfter fan | 1 | | |
| 29 | Lüfterdeckel fan cover | 1 | 60x60mm | |

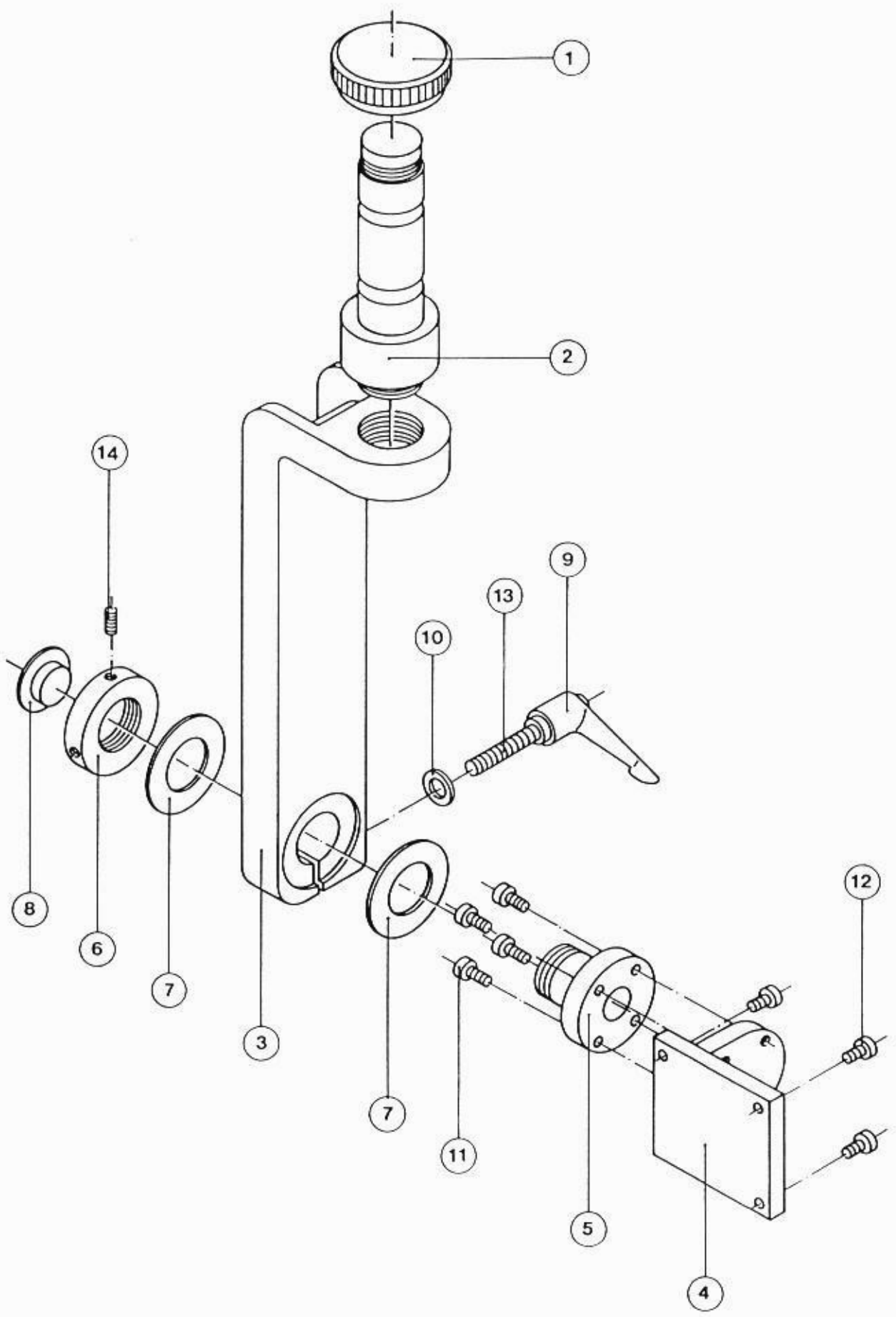


| Pos. pos. | Benennung name | Stck pieces | Bestell Nr. order no. | Bemerkung note |
|--------------|--|----------------|--------------------------|-------------------|
| 1 | Deckel cover | 1 | 162-325-001 | |
| 2 | Adapter adapter | 2 | 162-325-002 | |
| 3 | Hülse sleeve | 1 | 162-325-003 | |
| 4 | Stopfen plug | 1 | 162-325-004 | |
| 5 | Bolzen bolt | 6 | 162-325-005 | |
| 6 | Rändelschraube knurled screw | 2 | 162-325-006 | |
| 7 | Ring ring | 4 | 162-325-007 | |
| 8 | Aufkleber Lampe I adhesive label lamp I | 1 | 162-325-008 | |
| 9 | Aufkleber Lampe II adhesive label lamp II | 1 | 162-325-009 | |
| 10 | Lampenring lamp ring | 2 | 162-326-001 | |
| 11 | Feder spring | 2 | 162-326-002 | |
| 12 | Kabeldurchführung cable protection | 1 | 162-335-016 | |
| 13 | Federndes Druckstück pressure piece | 2 | 700-014 | |
| 14 | Haltegriff handle | 1 | 700-039 | |
| 15 | Mutter nut | 2 | 700-122 | |
| 16 | Wärmeschutzfilter heat absorption filter | 2 | 700-422 | |
| 17 | Reflektorlampe 15 V / 150 W reflector lamp 15 V / 150 W | 2 | 700-509 | |
| 18 | Fassung für Lampe lamp mount | 2 | 700-521 | |
| 19 | Gewindestift threaded pin | 3 | DIN 553-M2x2 | A2 |
| 20 | Schraube / screw | 4 | DIN 7985-M3x12 | A2 |
| 21 | Schraube / screw | 2 | DIN 965-M3x10 | A2 |
| 22 | Schraube / screw | 6 | DIN 965-M3x8 | A2 |
| 23 | Schraube / screw | 2 | DIN 965-M5x12 | A2 |
| 24 | Kühlblech cooling plate | 2 | 162-325-105 | |
| 25 | Schraube screw | 4 | DIN 965-M3x16 | A2 |
| 26 | Mutter nut | 4 | DIN 934-M3 | A2 |

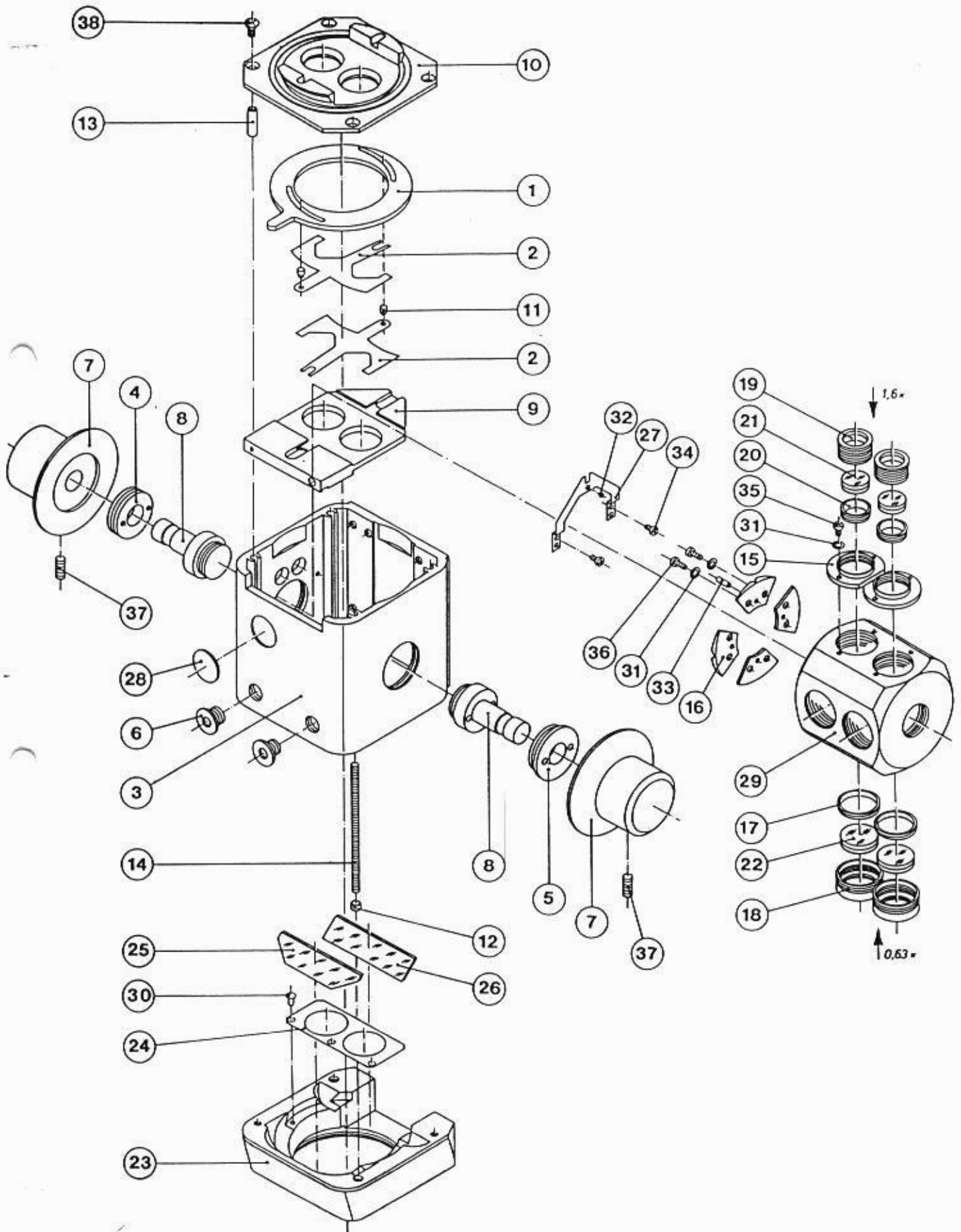


| Pos. pos. | Benennung name | Stck pieces | Bestell Nr. order no. | Bemerkung note |
|--------------|---|----------------|--------------------------|-------------------------|
| 1 | Gewindebuchse threaded bushing | 1 | 101.164-008 | |
| 2 | Segment segment | 1 | 101.191-002 | |
| 3 | Firmenschild 1 sign - board 1 | 2 | 101.751-000 | |
| 4 | Druckfeder pressure spring | 1 | 101.945-030 | |
| 5 | Gewicht (ca. 800 gr) weight (ca. 800 gr) | 2 | 104.125-001 | |
| 6 | Nippel nipple | 2 | 104.125-002 | |
| 7 | Achse axis | 2 | 104.125-003 | |
| 8 | Faseroptikkabel fibre optic light guide | 1 | 104.252-000 | L = 1400 mm |
| 9 | Aufnahme mount | 1 | 162.180-001 | |
| 10 | Deckel cover | 1 | 162.180-002 | |
| 11 | Achse axis | 1 | 162.180-003 | |
| 12 | Schwebearm inclusive Feder suspension arm including spring | 1 | 162.182-000 | |
| | Feder \varnothing 5,5mm spring | 1 | 162.182-024 | wahlweise optionally |
| | Feder \varnothing 6,0mm spring | 1 | 162.182-023 | wahlweise optionally |
| | Feder \varnothing 6,5mm spring | 1 | 162.282-023 | wahlweise optionally |
| 13 | Deckel cover | 1 | 162.380-001 | |
| 14 | Kugelknopf spherical knob | 1 | 700.012 | |
| 15 | Kreuzgriff cross handle | 1 | 700.018 | |
| 16 | Kabelschelle cable clip | 2 | 700.133 | |
| 17 | Knopf knob | 1 | 700.271 | |
| 18 | Deckel cover | 1 | 700.274 | |
| 19 | Potentiometer potentiometer | 1 | 700.402 | |
| 20 | Druckfeder pressure spring | 2 | 700.649 | |
| 21 | Schnorr - Sicherung locking washer | 1 | 3,2 | |

| Pos. pos. | Benennung name | Stck pieces | Bestell Nr. order no. | Bemerkung note |
|--------------|------------------------------|----------------|--------------------------|-------------------|
| 22 | Spannstift pin | 1 | DIN 1481-2x4 | A2 |
| 23 | Gewindestift threaded pin | 2 | DIN 551-M6x6 | A2 |
| 24 | Gewindestift threaded pin | 1 | DIN 551-M8x30 | A2 |
| 25 | Schraube screw | 2 | DIN 7981-B3,9x13 | A2 |
| 26 | Schraube screw | 1 | DIN 7985-M3x6 | Obfl. 28 |
| 27 | Gewindestift threaded pin | 1 | DIN 913-M3x8 | A2 |
| 28 | Schraube screw | 4 | DIN 965-M3x6 | A2 |

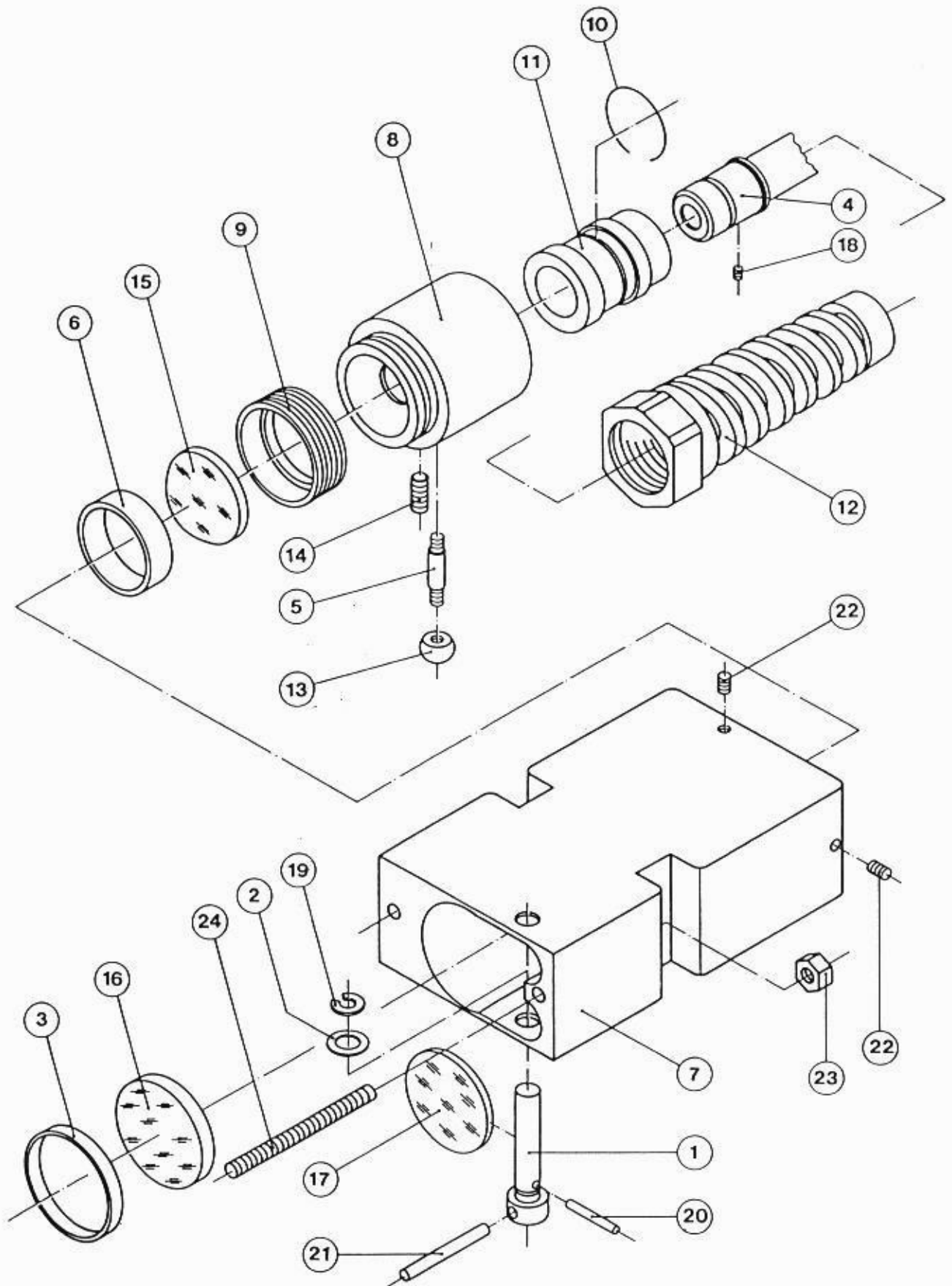


| Pos. pos. | Benennung name | Stck pieces | Bestell Nr. order no. | Bemerkung note |
|--------------|------------------------------|----------------|--------------------------|-------------------|
| 1 | Kappe cap | 1 | 101.134-006 | |
| 2 | Achse axis | 1 | 102.189-002 | |
| 3 | Bügel handle | 1 | 102.130-001 | |
| 4 | Winkel bracket | 1 | 102.130-003 | |
| 5 | Flansch flange | 1 | 102.130-005 | |
| 6 | Gewinding threaded ring | 1 | 102.130-006 | |
| 7 | Scheibe washer | 2 | 102.130-007 | |
| 8 | Deckel cover | 1 | 102.130-010 | |
| 9 | Klemmhebel clamping lever | 1 | 700.020 | |
| 10 | Scheibe washer | 1 | DIN 125-A6,4 | A2 |
| 11 | Schraube screw | 4 | DIN 7985-M3x12 | A2 |
| 12 | Schraube screw | 3 | DIN 912-M4x8 | A2 |
| 13 | Gewindestift threaded pin | 1 | DIN 913-M6x40 | A2 |
| 14 | Gewindestift threaded pin | 3 | DIN 914-M3x8 | A2 |

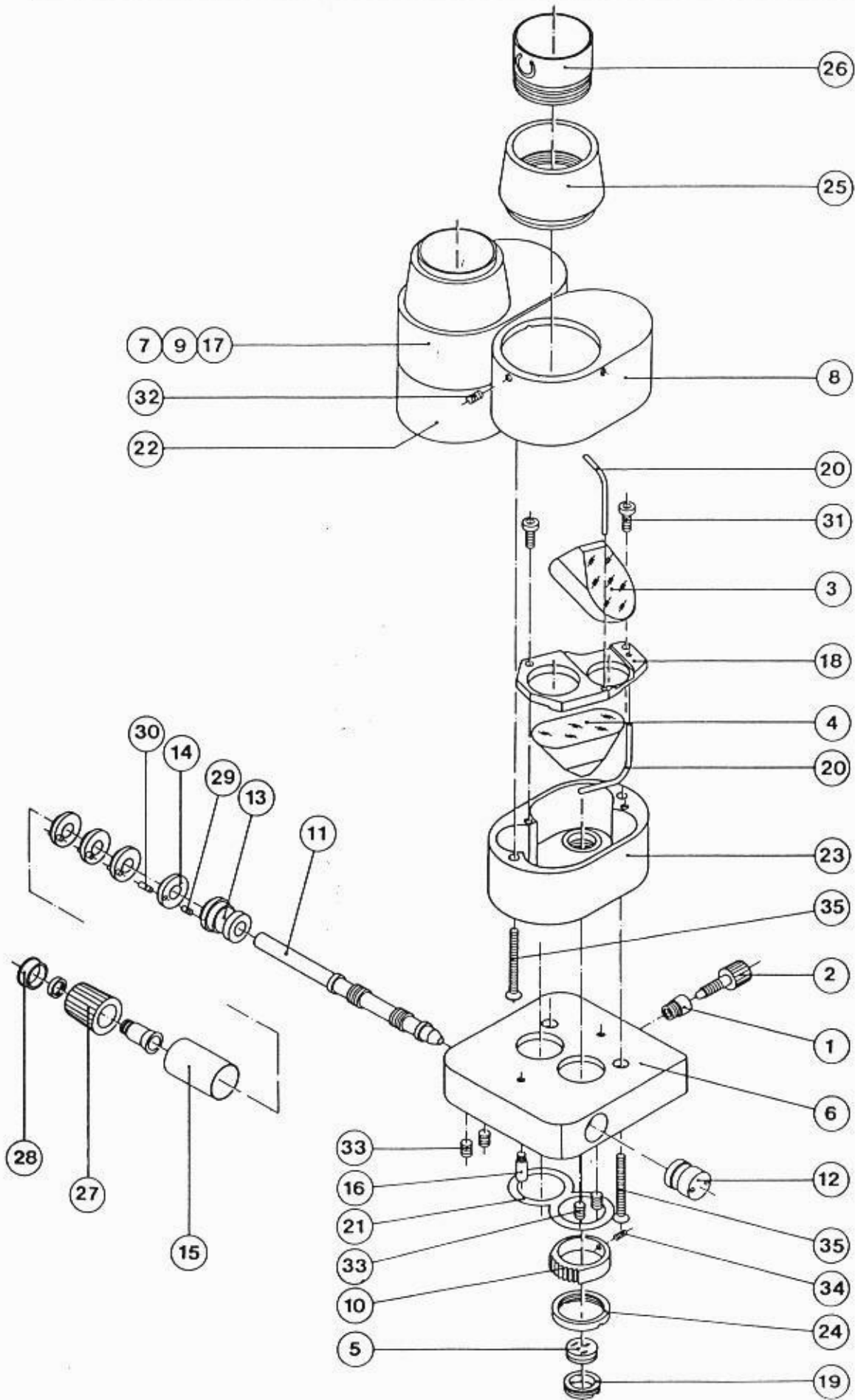


| Pos. pos. | Benennung name | Stck pieces | Bestell Nr. order no. | Bemerkung note |
|--------------|---|----------------|--------------------------|-------------------|
| 1 | Schieber slider | 1 | 101.120-012 | |
| 2 | Blendenschieber diaphragm slide | 2 | 101.120-013 | |
| 3 | Gehäuse housing | 1 | 101.120-101 | |
| 4 | Lagerring, links bearing ring, left | 1 | 101.120-102 | |
| 5 | Lagerring, rechts bearing ring, right | 1 | 101.120-104 | |
| 6 | Buchse bushing | 2 | 101.120-105 | |
| 7 | Drehknopf rotating knob | 2 | 102.160-107 | |
| 8 | Achse axis | 2 | 101.120-109 | |
| 9 | Boden bottom | 1 | 101.120-110 | |
| 10 | Flansch flange | 1 | 101.120-111 | |
| 11 | Zapfen trunnion | 2 | 101.120-114 | |
| 12 | Ring ring | 2 | 101.120-115 | |
| 13 | Hülse sleeve | 4 | 101.120-116 | |
| 14 | Gewindestück M3x68 threaded piece M3x68 | 4 | 101.120-120 | |
| 15 | Fassung mount | 2 | 101.121-102 | |
| 16 | Segment segment | 4 | 101.121-003 | |
| 17 | Gewinding threaded ring | 2 | 101.121-004 | |
| 18 | Fassung mount | 2 | 101.121-105 | |
| 19 | Fassung mount | 2 | 101.122-001 | |
| 20 | Schraubring B screwing ring B | 2 | 235.125-002 | |
| 21 | Linse, gekittet (1,6x) lens, cemented (1,6x) | 2 | 101.126-000 | |
| 22 | Linse, gekittet (0,63x) lens, cemented (0,63x) | 2 | 101.127-000 | |
| 23 | Deckel cover | 1 | 101.128-101 | |
| 24 | Blende diaphragm | 1 | 101.128-102 | |

| Pos. pos. | Benennung name | Stck pieces | Bestell Nr. order no. | Bemerkung note |
|--------------|----------------------------------|----------------|--------------------------|-------------------|
| 25 | Spiegel mirror | 1 | 101.128-103 | |
| 26 | Spiegel mirror | 1 | 101.128-104 | |
| 27 | Federblech spring sheet | 1 | 101.131-001 | |
| 28 | Firmenschild 1 sign - board 1 | 1 | 101.751-000 | |
| 29 | Körper element | 1 | 102.161-101 | |
| 30 | Kerbnagel notched taper pin | 2 | DIN 1476-2x4 | A2 |
| 31 | Scheibe washer | 12 | DIN 433-2,2 | Obfl. 28 |
| 32 | Kugel ball | 1 | DIN 5401-2,5I | |
| 33 | Zylinderstift cylinder pin | 4 | DIN 7-2m6x5 | A2 |
| 34 | Schraube screw | 2 | DIN 7985-M2x4 | A2 |
| 35 | Schraube screw | 4 | DIN 7985-M2x4 | Obfl. 28 |
| 36 | Schraube screw | 8 | DIN 7985-M2x5 | A2 |
| 37 | Gewindestift threaded pin | 2 | DIN 916-M4x10 | Obfl. 28 |
| 38 | Schraube screw | 4 | DIN 965-M3x6 | A2 |

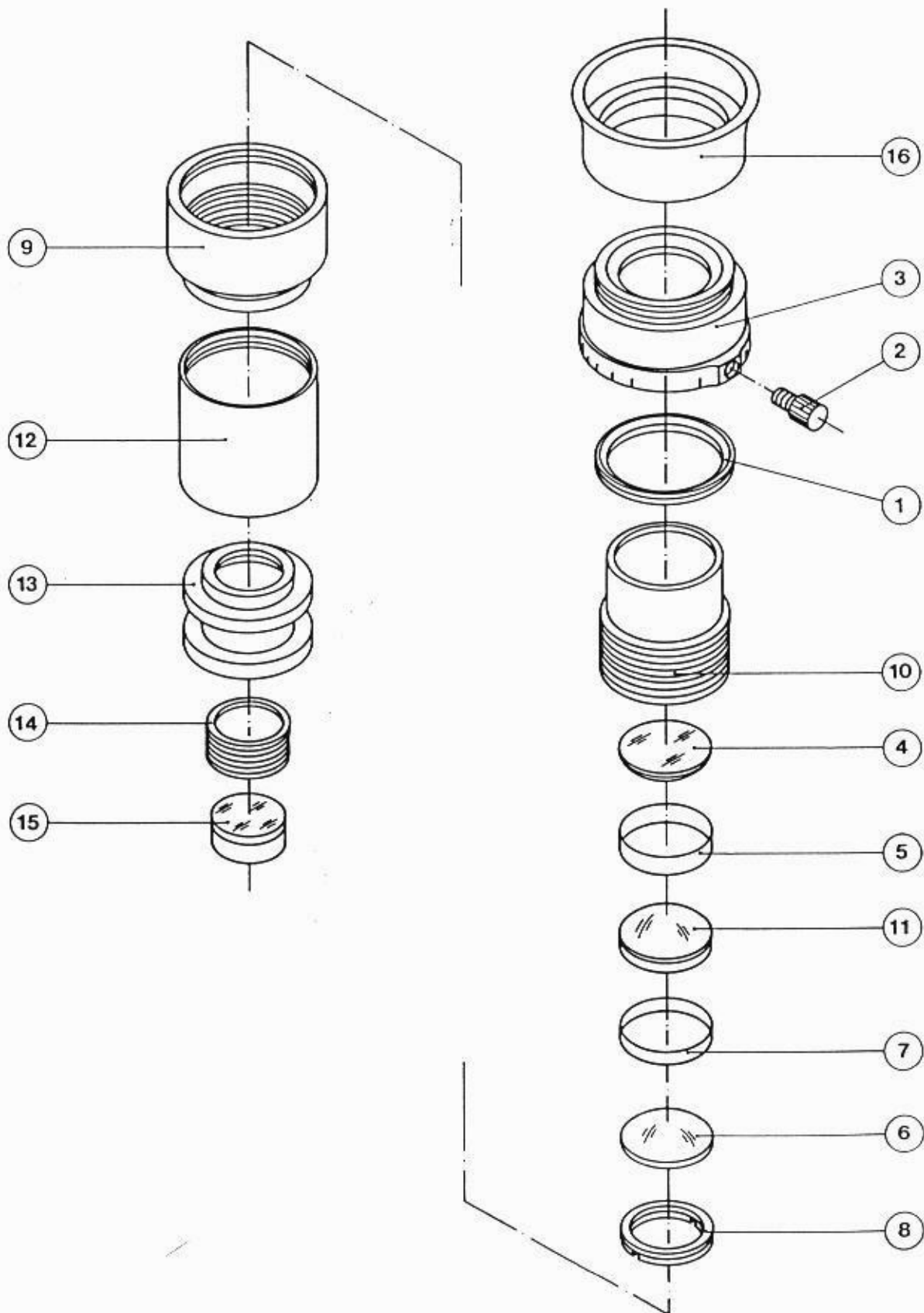


| Pos. pos. | Benennung name | Stck pieces | Bestell Nr. order no. | Bemerkung note |
|--------------|--|----------------|--------------------------|-------------------|
| 1 | Filterhalter filter holder | 1 | 162.335-002 | |
| 2 | Scheibe washer | 1 | 162.335-003 | |
| 3 | Ring ring | 1 | 162.335-004 | |
| 4 | Hülse sleeve | 1 | 162.335-007 | |
| 5 | Achse axis | 1 | 162.335-009 | |
| 6 | Ring ring | 1 | 162.335-010 | |
| 7 | Gehäuse housing | 1 | 162.335-011 | |
| 8 | Kappe cap | 1 | 162.335-012 | |
| 9 | Fassung mount | 1 | 162.335-013 | |
| 10 | Federring spring ring | 1 | 162.335-014 | |
| 11 | Hülse sleeve | 1 | 162.335-015 | |
| 12 | Kabeldurchführung cable protection | 1 | 162.335-016 | |
| 13 | Kugelknopf spherical knob | 1 | 700.012 | |
| 14 | Federndes Druckstück pressure piece | 1 | 700.014 | |
| 15 | Linse d=25 r=19,1 lens d=25 r=19,1 | 1 | 700.423 | |
| 16 | Linse d=30 r=60/60 lens d=30 r=60/60 | 1 | 700.425 | |
| 17 | Grünfilter 810 DU=28 MD=2 green filter 810 DU=28 MD=2 | 1 | 700.471 | |
| 18 | Gewindestift threaded pin | 3 | DIN 553-M2x2 | A2 |
| 19 | Sicherungsscheibe c - clip | 1 | DIN 6799-4 | A2 |
| 20 | Zylinderstift cylinder pin | 1 | DIN 7-2m6x16 | A2 |
| 21 | Zylinderstift cylinder pin | 1 | DIN 7-3m6x28 | A2 |
| 22 | Gewindestift threaded pin | 3 | DIN 914-M3x4 | A2 |
| 23 | Hutmutter cap nut | 2 | DIN 917-M4 | A2 |
| 24 | Gewindestift threaded pin | 2 | DIN 976-AM4x50 | A2 |

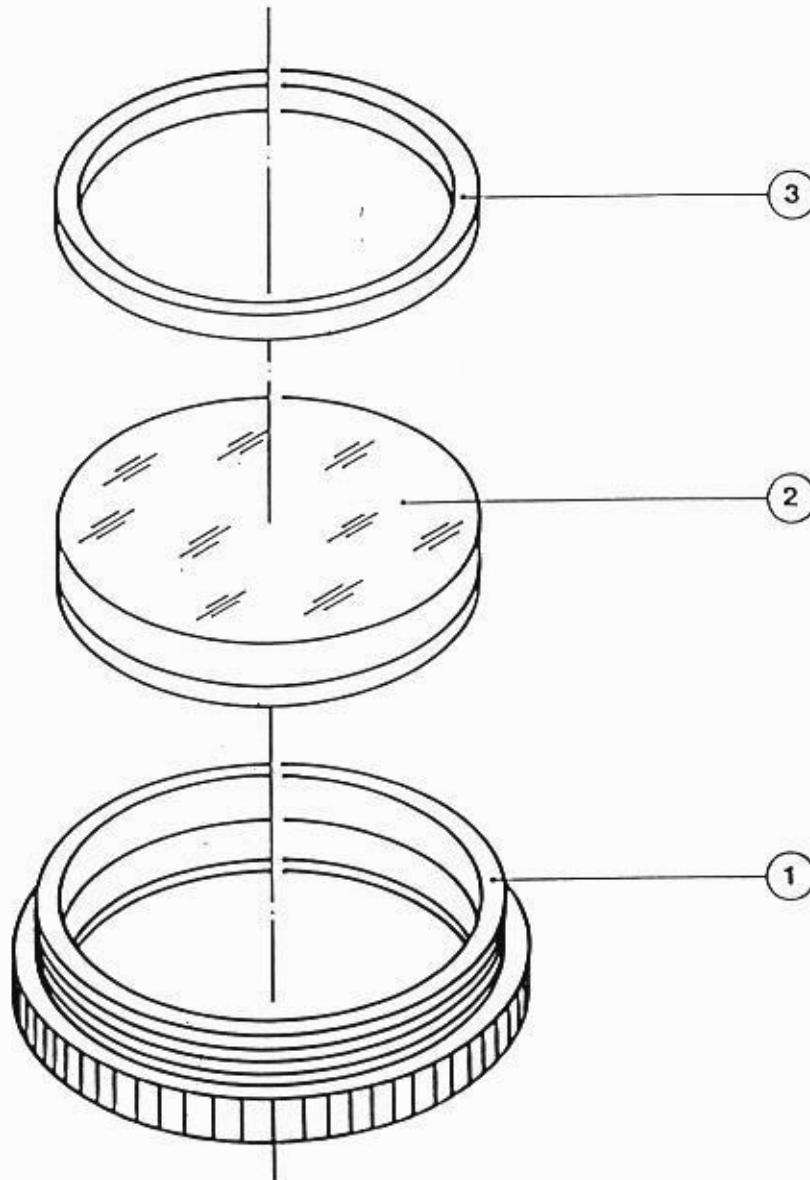


| Pos. pos. | Benennung name | Stck pieces | Bestell Nr. order no. | Bemerkung note |
|--------------|--|----------------|--------------------------|-------------------|
| 1 | Buchse bushing | 1 | 101.310-008 | |
| 2 | Rändelschraube knurled screw | 1 | 101.310-009 | |
| 3 | Objektivprisma objective prism | 2 | 101.351-009 | |
| 4 | Prisma prism | 2 | 101.351-010 | |
| 5 | Linse, gekittet lens, cemented | 2 | 101.932-000 | |
| 6 | Flansch flange | 1 | 101.945-003 | |
| 7 | Kappe, rechts cap, right | 1 | 101.945-007 | |
| 8 | Kappe, links cap, left | 1 | 101.945-008 | |
| 9 | Schneckenrad, rechts worm gear, right | 1 | 101.945-010 | |
| 10 | Schneckenrad, links worm gear, left | 1 | 101.945-011 | |
| 11 | Schneckenwelle worm shaft | 1 | 101.945-013 | |
| 12 | Buchse bushing | 1 | 101.945-014 | |
| 13 | Lager bearing | 1 | 101.945-015 | |
| 14 | Schleppscheibe washer | 4 | 101.945-016 | |
| 15 | Hülse sleeve | 1 | 101.945-017 | |
| 16 | Zapfenschraube pin screw | 2 | 101.945-018 | |
| 17 | Platte, rechts plate, right | 1 | 101.945-019 | |
| 18 | Platte, links plate, left | 1 | 101.945-020 | |
| 19 | Ring ring | 2 | 101.945-023 | |
| 20 | Feder spring | 4 | 101.945-027 | |
| 21 | Brille washer | 1 | 101.945-028 | |
| 22 | Boden, rechts bottom, right | 1 | 101.946-000 | |
| 23 | Boden, links bottom, left | 1 | 101.947-000 | |
| 24 | Gewinding threaded ring | 2 | 101.950-019 | |

| Pos. pos. | Benennung name | Stck pieces | Bestell Nr. order no. | Bemerkung note |
|--------------|------------------------------|----------------|--------------------------|-------------------|
| 25 | Hülse sleeve | 2 | 101.950-043 | |
| 26 | Rohr tube | 2 | 101.950-044 | |
| 27 | Knopf knob | 1 | 700.270 | |
| 28 | Deckel cover | 1 | 700.273 | |
| 29 | Spannstift pin | 1 | DIN 1481-1,5x4 | A2 |
| 30 | Spannstift pin | 4 | DIN 1481-1,5x6 | A2 |
| 31 | Schraube screw | 4 | DIN 912-M3x10 | A2 |
| 32 | Gewindestift threaded pin | 6 | DIN 914-M3x5 | A2 |
| 33 | Gewindestift threaded pin | 4 | DIN 914-M4x5 | A2 |
| 34 | Gewindestift threaded pin | 2 | DIN 915-M3x6 | A2 |
| 35 | Schraube screw | 4 | DIN 965-M3x30 | A2 |



| Pos. pos. | Benennung name | Stck pieces | Bestell Nr. order no. | Bemerkung note |
|--------------|-----------------------------------|----------------|--------------------------|-------------------|
| 1 | Gewinding threaded ring | 1 | 101.430-007 | |
| 2 | Rändelschraube knurled screw | 1 | 101.430-015 | |
| 3 | Diopterrering diopter ring | 1 | 101.460-001 | |
| 4 | Linse lens | 1 | 101.461-001 | |
| 5 | Distanzring spacer | 1 | 101.461-003 | |
| 6 | Linse lens | 1 | 101.461-004 | |
| 7 | Distanzring spacer | 1 | 101.461-005 | |
| 8 | Gewinding threaded ring | 1 | 101.461-006 | |
| 9 | Indexträger index carrier | 1 | 101.462-001 | |
| 10 | Fassung mount | 1 | 101.462-002 | |
| 11 | Linse, gekittet lens, cemented | 1 | 101.463-000 | |
| 12 | Hülse sleeve | 1 | 101.465-001 | |
| 13 | Fassung mount | 1 | 101.465-002 | |
| 14 | Fassung mount | 1 | 101.465-005 | |
| 15 | Linse lens | 1 | 101.466-000 | |
| 16 | Augenmuschel eyecup | 1 | 101.734-000 | |



| Pos. pos. | Benennung name | Stck pieces | Bestell Nr. order no. | Bemerkung note |
|--------------|-----------------------------------|----------------|--------------------------|-------------------|
| 1 | Fassung mount | 1 | 101.640-002 | |
| 2 | Linse, gekittet lens, cemented | 1 | 101.641-000 | |
| 3 | Ring ring | 1 | 101.610-004 | |