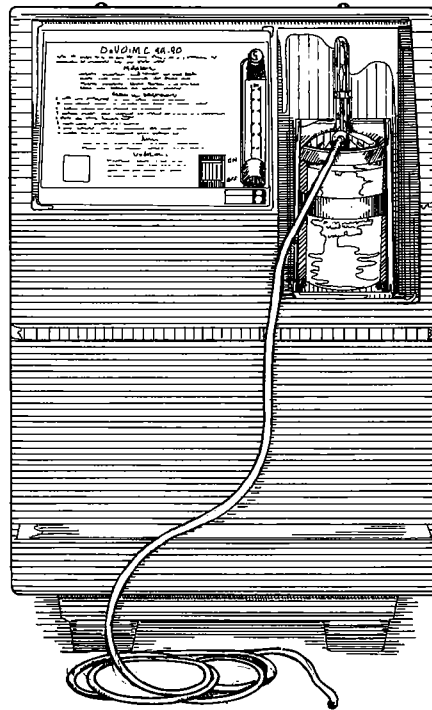


DeVILBISS DeVO/MC44-90 OXYGEN CONCENTRATOR

220 VOLT 50 Hz



SERVICE MANUAL

We add life to every breath.
1-800 433-1331 • 814 443-4881
Somerset, PA U.S.A. 15501-0635

Canada • France • Japan • U. Kingdom • W. Germany

SB-MC44 -220M

TABLE OF CONTENTS

Section 1 - General Information	1
A. Initial Inspection	1
B. Maintaining the DeVO/MC44	1
C. Warnings/Hazards	1
D. General Description of the DeVO/MC44	1
Section 2 - Theory of Operation	2
Section 3 - Installation and Operating Procedures	3
A. Installation	3
B. Operation	3
Section 4 - Maintenance Procedures	5
A. Testing and Calibration	5
B. Routine Maintenance	5
C. Periodic Maintenance	6
Section 5 - Alarm System	8
A. Patient Alert System	8
B. Microcomputer Control Board	8
Section 6 - Troubleshooting Guide	10
Section 7 - Service Instructions	13
A. Proper Repair Procedures	13
B. Cabinet Covers	13
C. Flow Meter	14
D. Pressure Regulator	14
E. Manifold Check Valves	14
F. Molecular Sieve Bed Assemblies	15
G. Four-Way Valve	16
H. Purge Valve	17
I. Compressor	19
J. Pilot Pressure System	21
K. Manifold Assembly	21
L. Capacitor	22
M. Cooling Fan	23
N. Microcomputer Control Board	23
O. Normal Cycling Sequence of DeVO/MC44	24
Section 8 - Parts List and Illustrations	25
Pneumatic Diagram	38
Electrical Block Diagram for Model MC44	39
Unit Specifications	40
Dealer Warranty	41

SECTION 1

GENERAL INFORMATION

A. Initial Inspection

An Initial inspection should be performed on the DeVO/MC44 as soon as possible after receipt. After unpacking the concentrator, examine it for any external damage that may have occurred during shipment. If damage has occurred, contact the DeVilbiss International Department or your dealer for specific instructions.

The concentrator should then be turned on and operated for at least 30 minutes as outlined in Section 3 of this manual. If the unit fails to operate properly or internal damage is found contact the DeVilbiss International Department or your dealer.

B. Maintaining the DeVO/MC44

The DeVO/MC44 should be routinely serviced according to the guidelines set forth in Section 4 of the manual. Whenever routine servicing or repair is required it should be performed by only qualified service personnel. Failure to properly maintain the unit may void the warranty.

C. Warnings/Hazards

Warning

Oxygen Promotes Rapid Burning. Do Not Smoke When Using The DeVO/MC44 Or When Near A Person Receiving Oxygen Therapy. Do Not Use Near Hot, Sparking, Or Burning Objects.

Warning

Electrical Shock Hazard: The Cabinet May Only Be Removed By A Qualified DeVilbiss Dealer.

D. General Description of the DeVO/MC44

The DeVilbiss DeVO/MC44 Oxygen Concentrator is designed to deliver high concentrations of oxygen for the patient requiring oxygen therapy in the home or institution. It is capable of providing $95\% \pm 3\%$ oxygen concentration at 1-2, $92\% \pm 3\%$ at 3 liters per minute, $80\% \pm 3\%$ at 4 liters per minute, and $70\% \pm 3\%$ at 5 liters per minute. This is accomplished by using a process similar to filtration.

Room air, which contains approximately 21% oxygen and 78% nitrogen, is drawn into the DeVO/MC44 by a compressor. The air passes through a gross particle filter, a felt pre-filter, and a high efficiency bacteria filter before entering the compressor. The "WOB'L" type compressor will produce clean oil free air and is cooled by air flow from a cooling fan.

Leaving the compressor, the air passes through a HEPA filter and a four-way directional valve that

directs the air into one of two cylinders containing molecular sieve material. This sieve material is a synthetically produced inorganic silicate. It is very porous, and has the unique quality of selectively adsorbing nitrogen. This produces a high concentration of oxygen for the patient.

Because the DeVO/MC44 has two molecular sieve beds, it is able to pressurize one bed and depressurize the other bed at the same time. This allows the unit to cleanse the depressurized bed of adsorbed nitrogen while the pressurized bed is producing a high concentration of oxygen. This process is alternated between the two beds approximately every 16 seconds depending on altitude and oxygen output flow rate. The cycling assures the patient of a continuous supply of oxygen.

The oxygen leaving the sieve beds is directed through a check valve to an accumulator tank. From here it passes through a pressure regulator, flow meter, and a second high efficiency bacteria filter before exiting at the outlet fitting. The flow meter allows the oxygen flow to be controlled and adjusted to the level prescribed by the patient's physician.

The DeVO/MC44 incorporates an audible and visible patient alert system as well as a self-diagnostic service system to be used by service personnel. This alert system will activate due to power failure, low system pressure, and electrical or pneumatic component failure.

SECTION 2

THEORY OF OPERATION

The microcomputer controlled DeVO/MC44 is similar to the DeVO/44 and MC29 in many ways. It uses a pressure-depressurization system which produces high concentrations of oxygen in a very efficient manner. The four-way and purge valves are also pneumatically operated similar to the DeVO/44 and MC29.

Observation of the pressure-depressurization cycle is one way to isolate problems. When used in conjunction with the indicator lights located on the MC board, it can be of significant help when trouble-shooting the unit. Cycle operation can be observed by installing a set of gauges to the test points located on the manifold.

Variations in the pressure-depressurization cycle can be observed in relation to the activating and de-activating of the four-way and purge valves. A complete cycle takes approximately 22 seconds. This is an approximate time because all cycles are dependent on the liter flow and altitude. The cycle and the alarm system are controlled and monitored by the MC board (microcomputer control board). This is accomplished by the use of a pressure transducer on the MC board. The transducer is connected to the accumulator tank by a 1/16" (1.6 mm) diameter hose. It constantly senses oxygen pressure in the accumulator.

A cycle change takes place only when the pressure in the accumulator tank is approximately 25.5 PSI (176 KPa). At this point a signal is sent to the four-way and purge valves. This signal is received by pilot valves located on the four-way and purge. These pilot valves allow compressed air from the pilot accumulator to enter the four-way and purge so they can be activated.

The four-way valve will remain in the activated position until the right sieve bed builds up 25.5 PSI (175.8 KPa) of oxygen in the accumulator tank. This takes approximately 11 seconds. When this pressure is reached the four-way is deactivated causing the left bed to pressurize. Note that when activated, the four-way allows pressurization of the right sieve bed. When deactivated, the left bed is being pressurized. Although the purge valve is activated at the same time as the four-way, it only remains in this activated position for approximately 1.0 seconds. It is during this time that high purity oxygen from the pressurized bed is allowed to flow into the bed that is just beginning its pressurization cycle.

During pressurization a small amount of oxygen from the pressurized bed is constantly flowing into the depressurized bed through the orifice located in the manifold. This oxygen flow helps purge the nitrogen from the depressurized bed

which is being exhausted through the bottom of the bed. The air being exhausted passes through the four-way and out of the exhaust port of the purge valve. When the four-way shifts, compressed air is directed into the other bed from the bottom. At the same time, the purge valve opens and allows high purity oxygen to enter the same bed from the top. This additional pressure allows the bed to start its cycle at higher pressures and concentrations. When the purge valve closes, the air in the previously pressurized bed is exhausted. This exhaust can be heard each time the purge closes.

At the beginning of the pressurization cycle the needle on the gauge will suddenly increase to approximately 15 PSI (103 KPa). This is caused by the purge opening. When the purge closes, the needle will hesitate slightly and then continue to rise until maximum pressure is reached. When maximum accumulator pressure is reached, the four-way shifts and the gauge will show a sudden drop in pressure to approximately 15 PSI (103 KPa). This drop is caused by the purge opening and releasing some of the oxygen to the other bed. When the purge closes, the needle will hesitate slightly and then continue to drop steadily and level off at approximately 2 PSI (13.8 KPa). This low pressure reading is caused by the continuous flow of oxygen from the pressurized to depressurized bed through the manifold orifice. When maximum accumulator pressure is reached, the four-way and purge valves shift and a new cycle begins.

SECTION 3

INSTALLATION AND OPERATING PROCEDURES

A. Installation

1. Position the concentrator such that the control panel is convenient to the patient. It must be accessible to a 240 volt, 50 cycle, electrical outlet capable of handling a minimum of 7 amps that is independent of other appliances. The oxygen concentrator should not be located adjacent to radiators, heaters, or hot air registers.

NOTE: Always observe the warnings imprinted on the instruction label (4 Fig. 2) located on the front of the unit. They read:

WARNING: Oxygen promotes rapid burning. Do not smoke when using the DeVO/MC44 or when near a person receiving oxygen therapy. Do not use near hot, sparking, or burning objects.

Electrical shock hazard: Do not remove cabinet. The cabinet may only be removed by a qualified DeVilbiss dealer.

B. Operation

1. With the power switch in the "OFF" position, plug the line cord into a 240 volt, 50 cycle, electrical outlet capable of handling a minimum of 7 amps.
2. Push the On/Off switch (1 Fig. 2) to the "ON" position. If the switch does not illuminate, check the fuse (1 Fig. 4) located in the power connector on the back of the unit. Replace if necessary. If the switch still fails to illuminate, and the fuse is unbroken, refer to the troubleshooting guide for specific instructions.

When the power switch is turned on, the audible alarm will sound momentarily. If the unit has not been used for a considerable length of time, the audible alarm may sound for an extended period until the accumulator has had time to pressurize. If the alarm does not sound or continues to sound refer to the troubleshooting guide for specific instructions.

The visible alarm on the control panel says "Service Required" (2 Fig. 2). It will illuminate when the unit is turned on and remain on until pressure within the system is approximately 9 PSI.

3. With the DeVO/MC44 operating, slowly turn the knob (6 Fig. 2) on the flow meter (5 Fig. 2) until the ball in the meter is

centered on the line corresponding with the prescribed flow rate.

Flow meter accuracy will vary slightly at 5 LPM. Because of this, the ball should be positioned as shown on the green card enclosed with every unit. If ball is not set properly the correct oxygen concentrations may not be attained at 5 LPM. Therefore, this green card should be retained or the information recorded in a log book for future reference.

Important: If flow meter is turned completely off it may activate the "crimped tubing alarm" and turn the unit off because of the severely restricted flow.

When the DeVO/MC44 oxygen concentrator is turned on (or if not in use for an extended period of time), it may require up to 30 minutes for the flow rate and oxygen concentration to stabilize. The flow rate may drift slightly during this period of time and should be monitored and readjusted if necessary.

4. If a humidifier has not been prescribed by the physician, the 5/32" (4 mm) I.D. delivery tubing can be attached directly to the oxygen outlet fitting. Tubing should not exceed 50 feet (15 m).
5. If a humidifier has been prescribed, place a bubble-type humidifier (6 Fig. 3) on the humidifier stand (4 Fig. 3) securing it with the elastic strap (5 Fig. 3) that is attached to the stand.

NOTE: For optimum performance, the DeVO/MC44 has a pre-set nominal output pressure of 8.5 PSI (58.6 KPa), therefore, "Jet-Type" humidifiers will not function properly at this low pressure. Only bubble-type humidifiers should be used.

6. Included with the DeVO/MC44 are 2 plastic fittings and a 3-inch (76.2 mm) piece of tubing. Use the straight fitting (2 Fig. 8) for all humidifiers that are less than 8 inches (203 mm) tall and the elbow fitting (3 Fig. 8) for humidifiers 8 inches (203 mm) and taller. Attach the proper fitting by turning the wing nut on the humidifier counterclockwise until it is tightened securely on the humidifier fitting. Connect the humidifier to the oxygen outlet fitting with the 3-inch (76.2 mm) piece of tubing (4 Fig. 8). The tubing may have to be shortened to prevent it from kinking.

SECTION 3

INSTALLATION AND OPERATING PROCEDURES

7. Attach the desired length of 5/32" (4 mm) I.D. oxygen delivery tubing (7 Fig. 3) to the humidifier and attach either a cannula or a suitable mask. Tubing should not exceed 50 feet (15 m).
8. Condensation from the humidifier may occur in longer lengths of tubing or with tubing laying on a cold floor. This can be reduced by using the removable humidifier stand. To use the stand, attach one end of the delivery tubing to the oxygen outlet fitting and the other end to the plastic fitting on the humidifier.
9. The DeVO/MC44 oxygen concentrator may now be used.

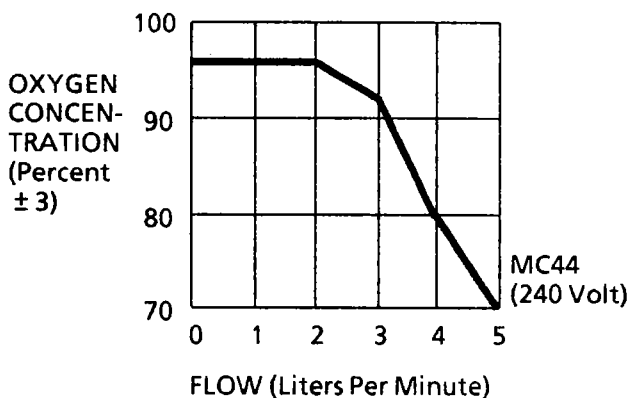
SECTION 4

MAINTENANCE PROCEDURES

Every DeVO/MC44 is thoroughly tested and "burned-in" at the factory to make sure that all of the product specifications are being met. To assure continued trouble-free performance various maintenance procedures should be performed on a regular basis by a qualified DeVilbiss dealer. The following maintenance instructions are provided as a guideline.

A. Testing and Calibration

1. Turn the power switch to the "ON" position and slowly turn the flow meter control knob (6 Fig. 2) and note that the flow rate is variable from 0 to 5 liters per minute.
2. When the unit is first turned on (or if not used for an extended period of time) it may require up to 30 minutes for the oxygen concentration to stabilize. The flow rate may drift slightly during this period of time and the oxygen concentration will gradually increase to a steady value at a specific flow rate.
3. When the oxygen concentration has stabilized, an oxygen analyzer should be attached to the oxygen outlet fitting (7 Fig. 2) to test oxygen concentrations at various flow rate settings. The analyzer should be calibrated prior to taking an oxygen percentage reading (See note under B-6). As the flow rate is increased, the percent of oxygen in the delivered gas decreases, though the actual volume of oxygen delivered per minute is greater. The range of oxygen delivered at the outlet for various flow rates is shown in the graph below for the MC44.



Oxygen Production Vs. Flow Rate

B. Routine Maintenance

1. Humidifiers - The humidifier (6 Fig. 3) should be cleaned daily or as recommended by the manufacturer. It should be washed in warm soapy water, rinsed thoroughly, and refilled. Be careful not to overfill. The tubing and prescribed cannula or mask should also be cleaned according to manufacturer's recommendations.
2. Gross Particle Filter - The gross particle filter (6 Fig. 4) should be removed and cleaned weekly.

To remove and clean:

- A. Turn the knob counterclockwise 1/4 turn and remove the entire assembly (See Fig. 5).
- B. Wash the assembly in warm soapy water and rinse. Shake excess water from the filter.
- C. Use a lint-free cloth or paper towel to dry filter. Be sure filter is completely dry before replacing.
- D. Filter may also be cleaned by vacuuming.

NOTE: The gross particle filter should be monitored more closely in environments with abnormal amounts of particulate matter in the air. Operation of the DeVO/MC44 without the gross particle filter will prematurely occlude the felt pre-filter and cause a decrease in unit performance.

3. Felt Pre-Filter - The felt pre-filter (2 Fig. 7) should be changed approximately once a month under normal conditions.

To replace the pre-filter:

- A. Rotate the filter housing (3 Fig. 7) counterclockwise to remove it from the intake bacteria filter (5 Fig. 7).
- B. Remove the cap (1 Fig. 7) on the filter housing and pull out and discard the used filter pad (2 Fig. 7).
- C. Insert a new felt pre-filter pad into the housing and replace the cap on the housing.
- D. Place the filter housing on the bacteria filter and turn clockwise until snug.

SECTION 4

MAINTENANCE PROCEDURES

4. Intake Bacteria Filter - The intake bacteria filter (5 Fig. 6) should be inspected at the same time the felt pre-filter is inspected and changed when needed (approximately every six months).

To replace the intake bacteria filter:

- A. Pull the bacteria filter out of the rubber grommet (See Fig. 6).
 - B. Remove the felt pre-filter assembly.
 - C. Place the felt pre-filter assembly on a new bacteria filter.
 - D. The complete filter assembly can then be inserted into the rubber grommet.
5. Audible Alarm - Testing the audible alarm system should be included in a routine maintenance program. It should be checked on a monthly basis.

- A. To test the audible alarm system, remove the line cord from the 220 volt AC outlet and turn the power switch to the "ON" position. If the alarm is not heard or sounds weak, replace the 9 volt battery (20 Fig. 11) located on the front of the vertical divider.
- B. Plug the unit into a 220 volt AC outlet and turn the power switch to the "ON" position. The alarm will sound momentarily. If the alarm is not heard or sounds weak replace the 9 volt battery.

NOTE: Replacement batteries can be purchased locally and should be alkaline batteries or equivalent.

6. O₂ Concentrations - Oxygen concentrations should be checked monthly in accordance with the established test procedures (Section 4, A).

NOTE: Before checking concentrations, the oxygen analyzer should be properly calibrated using a 100% pure oxygen source. It should also be noted that changes in temperature, altitude, or humidity may affect the oxygen concentration reading as shown by the analyzer. Therefore, the analyzer should be calibrated in similar conditions to where the concentrator is located.

C. Periodic Maintenance

1. Final Bacteria Filter - The final bacteria filter (3 Fig. 12) should be changed as needed (approximately once a year under normal conditions).

To replace the final bacteria filter:

- A. Loosen the cabinet fasteners on the top and sides of the unit.
- B. Swing the front cover to the right.
- C. Remove hose clamp and hose from each end of filter and discard filter.
- D. Install new bacteria filter and secure with hose clamps.
- E. Replace cover and secure with cabinet fasteners.

2. Compressor Filter - The compressor HEPA filter (12 Fig. 14) should be changed at or before 25,000 hours of unit operation.

To replace compressor filter:

- A. Refer to Service Instruction B to open cabinet covers. The back cover should be completely removed.
- B. Cut plastic cable tie that holds HEPA filter in place.
- C. Loosen hose clamps and remove black rubber hose from both ends of filter.
- D. Install new HEPA filter with air flow directional arrow pointing downward and secure with plastic cable tie.

NOTE: Holes for cable tie are located directly behind left sieve bed. Thumb screws and brackets that secure beds to unit must be removed so that cable tie can be inserted into holes.

- E. Attach black rubber hoses to each end of filter and secure with hose clamps.
- F. Replace cabinet covers and secure with cabinet fasteners.

3. Compressor - Inspect and change if necessary the internal components at 10,000 hour intervals of unit operation. See Service Instruction I.

NOTE: All routine and periodic maintenance should be recorded by listing the date and hour readings in a maintenance schedule like the one shown on the following page.

MODEL

SERIAL NO.

SET UP DATE

The user to perform only the following:

- Clean cannula/mask and humidifier daily.
- Clean gross particle filter weekly.

RECOMMENDED SERVICE INTERVALS		MONTHLY LOG																																						
		1	2	3	4	5	6	7	8	9	10	11	12	13	14	15	16	17	18	19	20	21	22	23	24	25	26	27	28	29	30	31	32	33	34	35	36			
Date of Service	Record at Each Maintenance Check																																							
Hours on Meter	Record at Each Maintenance Check																																							
Concentration	Check Monthly																																							
9 Volt Battery	Change as Needed																																							
Felt Pre-Filter	Change Once Per Month or as Needed																																							
Intake Bacteria Filter	Change as Needed (Approx. Every 6 Mos.)																																							
Final Bacteria Filter	Change as Needed (Approx. Once a Year)																																							
Compressor	Inspect Internal Components at 10,000 Hrs. of Unit Operation																																							
Compressor HEPA Filter	Change at or Before 25,000 Hrs. of Unit Operation																																							

DeVO/MC44 Maintenance Schedule

SECTION 5

ALARM SYSTEM

Most problems encountered with the DeVO/MC44 are indicated by the patient alert system. This system is comprised of both visible and audible alarms which alert the patient when there is a malfunction. Further isolation of problems are indicated by alarm lights located on the MC board. These are designed to help service personnel troubleshoot problems within the unit. The alarm system is monitored and activated by the MC board.

A. Patient Alert System

1. **Visible Alarm System** - The visible alarm located on the control panel says "Service Required" (2 Fig. 2). When this panel is illuminated it indicates a unit malfunction such as low pressure, valve, sieve bed, or compressor failure. A severe restriction of flow will also cause this panel to illuminate. A more definitive description of the type of problem can be found by observing the alarm indicator lights on the MC board.

NOTE: The "Service Required" panel will come on momentarily when the unit is turned on. If it stays on for an extended period, or comes on while the unit is operating, refer to the troubleshooting guide in Section 6.

2. **Audible Alarm System** - The audible alarm will sound when there is a low or high pressure, power, valve, or other component failure that activates the alarm system. This alarm will sound when the unit is turned on until the accumulator has had time to pressurize. It is powered by a 9 volt alkaline battery.

The alarm itself is located on the backside of the MC board. When activated the alarm transmits the sound through the control panel (3 Fig. 2).

B. Microcomputer Control Board

The microcomputer control board or MC board (7 Fig. 12) is located on the inside front cover of the unit. It is responsible for monitoring and controlling the entire system as well as the alarms by using a pressure transducer (13 Fig. 12).

When the pressure sensed by this transducer indicates a malfunction, the alarm system will be activated whether it is for a pressure or component failure. Alarms will also be activated if the system fails to operate within

the pre-set minimum and maximum cycle times.

The DeVO/MC44 is designed so its alarm system cannot be overridden. For example, a disconnected or weak battery will not prevent the patient from being alerted to a system malfunction because the visible alarm system is still operational. Also, most major malfunctions will cause the unit to shut off automatically, thus preventing any further damage to the unit.

The MC board has four red indicator lights (8 Fig. 12) labeled short cycle, long cycle, no cycle and high pressure. These lights indicate what type of malfunction has occurred in the unit. They should be used as a troubleshooting aid in conjunction with the information that can be derived by attaching pressure test gauges to the test points (Fig. 22) on the manifold. Refer to normal cycling sequence on page 24.

When a malfunction occurs these alarm indicator lights will come on in a certain sequence. One or possibly two lights will illuminate when the unit shuts off. In all cases, whether one or two lights come on, further testing must be done to determine the exact cause of the problem since there may be more than one possible cause for a malfunction. An explanation of each alarm light is given below along with possible causes for the malfunction.

1. **Short Cycle:** This light indicates the sieve beds have pressurized too soon. A minimum and maximum cycle time has been pre-set on the MC board. If the sieve beds pressurize so quickly that the minimum cycle time is reached, this alarm will be activated.

Possible Cause: Severe bed contamination will cause a decreased cycle time and activate this alarm. A failure of the four-way valve or a severe restriction of flow may also cause this alarm to come on.

NOTE: The short and no cycle lights will come on together whether it is a bed or four-way failure. Further testing must be done to determine the exact cause of the problem. Refer to Service Instructions, Section 7 for the proper testing procedures for the sieve beds and four-way.

SECTION 5

ALARM SYSTEM

2. Long Cycle: This light indicates a long cycle time. When the pre-set maximum cycle time is reached, this alarm will be activated.

Possible Cause: A faulty compressor, leak, or any problem that causes the maximum pre-set cycle time to be exceeded.

NOTE: The long cycle light will come on by itself when the maximum cycle time has been exceeded. However, it will come on with the high pressure light when a high pressure situation exists in the unit. Further testing must be done to determine the exact cause of the problem. Refer to the Service Instructions, Section 7 for the proper testing procedures for the compressor or purge depending on which alarms come on. See number 4 below: High Pressure.

3. No Cycle: This light indicates a failure of the four-way valve to shift properly.

Possible Cause: Defective or sticking four-way valve, inadequate pilot pressure, faulty wiring from valve to MC board, or defective MC board. A severe restriction of flow or contaminated beds may also activate this alarm.

NOTE: The short and no cycle lights will come on together whether it is a four-way or bed failure. Further testing must be done to determine the exact cause of the problem. Refer to the Service Instructions, Section 7 for the proper testing procedures for the four-way and sieve beds.

4. High Pressure: This light indicates a high pressure situation in the system.

Possible Cause: Purge valve remained in the activated position due to a defective MC board or sticking valve.

NOTE: The high pressure and long cycle lights will come on together when a high pressure situation exists in the unit. Further testing must be done to determine the exact cause of the problem. Refer to the Service Instructions, Section 7 for the proper testing procedures for the purge valve.

When any of the four red indicator lights come on the compressor will automatically shut off but the cooling fan will continue to operate. Also, the

audible alarm will sound and the "Service Required" light on the control panel will illuminate.

The MC board also has two green indicator lights (8 Fig. 12) labeled "purge" and "four-way." These are not alarm lights.

5. Purge: This green indicator light will come on only when the purge valve is activated (approximately 1.0 seconds).
6. Four-Way: This green indicator light will come on only when the four-way valve is activated. At the same time the right sieve bed is being pressurized. When it is off, the left bed is pressurizing.

Important: Instead of the alarm designations explained in this section (Short Cycle, Long Cycle, No Cycle, High Pressure) some DeVO/MC44's may have the following alarm light designations: Bed, Purge/Compressor, 4-way, High Pressure. These were used on the DeVilbiss Models MC29 and DeVO/44. In either case they refer to the same type of malfunctions and should be used the same way.

SECTION 6

TROUBLESHOOTING GUIDE

Symptom					Possible Problems	Suggested Remedy
	Visible Alarm	Audible Alarm	Compressor On or Off	Other Symptoms		
1.	OFF	ON	OFF	On/Off switch not illuminated	Line cord not properly installed or defective No power at receptacle Line cord disconnected at terminal block Defective On/Off switch Blown fuse in power connector	Insert plug in receptacle or replace line cord Check building circuit breaker or fuse, or have house wiring checked by qualified electrician. Circuit may be fully loaded with other appliances and another receptacle may be required. Reconnect line cord at terminal block Replace switch Replace fuse
2.	ON	ON	OFF	On/Off switch is illuminated	Defective MC board Loose Compressor Wire Defective compressor Defective Capacitor Upper and lower wiring harness disconnected	Replace MC board Tighten or attach wire Replace compressor Replace Capacitor Reconnect wiring harness
3.	ON	ON	OFF	Unit warm to the touch and cannot be restarted for several minutes	Compressor overheated due to: Occluded filters Restricted input or output air passage Low line voltage Defective cooling fan Defective compressor	Replace filters Remove obstruction Check line voltage, use alternate circuit independent of other appliances Replace cooling fan Replace compressor
4.	OFF	OFF	ON	Pulsating air noise	Felt and/or intake bacteria filters not in place or defective Compressor intake hose disconnected	Check filters and replace if necessary Reconnect hose
5.	OFF	OFF	ON	Excessive noise	Defective or loose motor mounts Defective compressor Defective cooling fan	Replace or tighten motor mounts Replace compressor Replace cooling fan

SECTION 6

TROUBLESHOOTING GUIDE

Symptom					Possible Problems	Suggested Remedy
	Visible Alarm	Audible Alarm	Compressor On or Off	Other Symptoms		
6.	OFF	OFF	ON	Fluctuating oxygen flow	<p>Occluded humidifier Use of improper humidifier Occluded filters Occluded or defective cannula and tubing</p> <p>Use of excessive tubing</p> <p>Defective flow meter Air leak in system</p> <p>Defective compressor Defective reed valve Defective check valve Pressure regulator not adjusted properly or defective</p>	<p>Clean or replace humidifier Use only a bubble type humidifier Clean or replace filters Detach cannula from O2 delivery tubing. If proper flow is not attained, check tubing for kinks or other obstructions. Clean or straighten as required or replace tubing if necessary.</p> <p>The unit is designed to deliver 5 lpm with a cannula on 50 feet (15 meters) of approximately 5/32" (4mm) inside diameter tubing. Small diameter tubing or the addition of any other flow restriction may prevent obtaining the desired flow rate.</p> <p>Replace flow meter Check for leaks in all hoses and fittings Replace compressor Replace reed valve Replace manifold base Adjust or replace pressure regulator</p>
7.	OFF	OFF	ON	Little or no oxygen flow	<p>Flow meter not adjusted properly Hose disconnected to flow meter</p> <p>Oxygen delivery tubing is kinked or blocked Occluded humidifier</p>	<p>Adjust flow meter Reconnect hose Straighten tubing or remove obstruction Clean or replace humidifier</p>
8.	OFF	OFF	ON	Audible alarm does not sound when unit is turned on	<p>Defective 9 volt battery Defective wire harness Defective sonalert Defective MC board</p>	<p>Replace 9 volt battery Repair or replace wire harness Replace MC board Replace MC board</p>
9.	OFF	OFF	ON	Low O2 concentration and possible increase in cycle time	<p>Leaks in system Defective check valves Defective reed valve Defective compressor Four-way valve not fully shifted Occluded filters Purge valve stuck in deactivated position</p>	<p>Check all hoses and fittings Replace manifold base Replace reed valve Replace compressor Clean or replace four-way valve Replace filters Refer to Section 7, Service Instructions, on How to Troubleshoot Purge Valve</p>
10.	OFF	OFF	ON	Low O2 concentration and decrease in cycle time	<p>Contaminated sieve beds</p>	<p>Replace sieve beds</p>

SECTION 6

TROUBLESHOOTING GUIDE

Symptom					Possible Problems	Suggested Remedy
	Visible Alarm	Audible Alarm	Compressor On or Off	Other Symptoms		
11.	ON	ON	ON	Fluctuating or no flow	System pressure below 9 PSI (62 KPa) due to: Leak in system Defective compressor Four-way valve not fully shifted	Check all hoses and fittings Replace compressor Clean or replace four-way valve
12.	OFF	ON	OFF	Fan operating	Blown fuse on MC board Defective MC board	Replace fuse Replace MC board
13.	OFF	OFF	ON	Visible alarm panel does not illuminate when unit is turned on	Defective bulb Defective MC board	Replace bulb Replace MC board
14.	OFF	OFF	ON	Low pilot pressure	Leak in pilot pressure system Defective check valve in pilot accumulator Defective compressor Defective reed valve in compressor	Check all pilot pressure hoses and fittings Replace manifold base Replace compressor Replace reed valve
15.	ON	ON	OFF	Fan operating, short and no cycle lights on MC board illuminated	Four-way valve failed to shift properly Contaminated sieve beds Severe restriction of flow due to: Crimped tubing Occluded humidifier Flow meter turned off or set too low	Refer to Section 7, Service Instructions, on How to Troubleshoot Four-Way Valve Refer to Section 7, Service Instructions, on How to Troubleshoot Sieve Beds Straighten tubing Clean or replace humidifier Adjust flow meter
16.	ON	ON	OFF	Fan operating, long cycle light on MC board illuminated	Maximum cycle time was exceeded due to: Leak in system Defective reed valve Defective compressor Four-way valve not fully shifted	Check all hoses and fittings Replace reed valve Replace compressor Clean or replace four-way valve
17.	ON	ON	OFF	Fan operating, long cycle and high pressure lights on MC board illuminated	Purge valve stuck in activated position	Refer to Section 7, Service Instructions, on How to Troubleshoot Purge Valve

NOTE: Some MC board alarm lights may be designated Bed, Purge/Compressor, 4-Way, and High Pressure rather than the designations stated in the above troubleshooting guide. See Section 5 for explanation of the various alarms.

SECTION 7

SERVICE INSTRUCTIONS

A. Proper Repair Procedures

The DeVilbiss DeVO/MC44 is designed for ease of service by utilizing a vertical divider (4 Fig. 15) and accumulator shelf (1 Fig. 15). Components are situated on the divider and shelf in such a way as to make them easily attainable. The service section provides detailed information for troubleshooting and replacing components within the system. Also, to aid service personnel, a DeVO Service Kit (Part #444-501) is available which contains the necessary gauges, tools, and test instruments to properly service the oxygen concentrator. The following parts are included in the Service Kit.

(1)	3/16" Slotted screwdriver	
(1)	#1 Philips head screwdriver	
(1)	#2 Philips head screwdriver	
(1)	3/8" Nut driver	
(1)	7/16" Nut driver	
(1)	6" Crescent wrench	
(1)	8" Duckbill pliers	
(1)	5/32" "T" Handle allen wrench	(444-592)
(1)	9/64" "T" Handle allen wrench	(444-593)
(1)	3mm "T" Handle allen wrench	(MC29D-645)
(1)	7/64" "T" Handle allen wrench	(MC44D-710)
(2)	0-30 PSI Pressure gauge and hose	(444-591)
(1)	Tool box	
(10)	Cabinet fasteners	
(20)	#2 Hose clamp	(444-524)
(20)	#8 Hose clamp	(444-537)
(20)	#11 Hose clamp	(MC29D-638)
(20)	#12 Hose clamp	(444-538)
(2)	Pressure test assembly	(444-502)
(1)	Pressure test assembly	(MC29D-606)

In addition to the Service Kit, an oxygen analyzer will be needed to check the oxygen concentration levels. A volt meter may also be needed when voltage testing is required.

When servicing the DeVO/MC44 be absolutely certain that the correct tools are used and parts are free of oil and grease or any material not compatible with oxygen. Teflon tape is recommended and must be applied to

the male threads omitting the first thread to eliminate the possibility of tape particles entering the oxygen system. Loctite "PST" sealant may also be used in place of teflon tape.

NOTE: Due to the proximity of the electrical components within the DeVO/MC44, disconnect the AC power cord from the wall outlet before attempting repairs on the unit. Also, extra care should be taken if it is necessary to operate the unit with the cabinet covers opened.

B. Cabinet Covers

To open front cover:

1. Loosen the cabinet fasteners at the top and on the sides of the unit using a 5/32" allen wrench (See Fig. 9). Fasteners should be rotated 1/4 turn counterclockwise to loosen them.
2. Carefully swing the front cover (7 Fig. 10) to the right to avoid damaging the electrical harness.

To remove front cover completely:

1. Disconnect large quick-connect terminal (16 Fig. 10) located in main wiring harness.
2. Open back cover and disconnect line cord from terminal block (6 Fig. 13).
3. Disconnect terminal to 9 volt battery (21 Fig. 11).
4. Remove the 1/16" diameter hose that is attached to accumulator fitting (2 Fig. 24).
5. Remove hose clamp and hose (8 Fig. 10) that connects the pressure regulator to the flow meter. Either end of hose may be removed.

To open back cover:

1. Loosen the four cabinet fasteners in the back of the unit using a 5/32" (4 mm) allen wrench and then pull back cover away from the unit until the top of the accumulator shelf (1 Fig. 15) is exposed. Ensure that undue tension is not placed on the electrical connections.

By disconnecting the line cord at the terminal block (6 Fig. 13) and the quick-connect terminal for the hour meter (4 Fig. 13) the back cover can be removed completely.

SECTION 7

SERVICE INSTRUCTIONS

C. Flow Meter

Each flow meter (5 Fig. 2) is calibrated to an accuracy of $\pm 5\%$ of full scale and is non-repairable in the field. The flow meter on the DeVO/MC44 is designed for use at 8.5 PSI at flow rates up to five liters per minute. To check the accuracy of operation, do so only with devices of certified accuracy and exercise care in the connection to the test flow meter. Interconnecting hoses should be of large diameter and as short as possible since seemingly unimportant variations in piping and back pressure may cause a noticeable difference in the indicated reading.

The flow meter is pressure compensated which provides a more accurate reading.

To replace flow meter:

1. Unplug unit from wall outlet.
2. Refer to Service Instruction B to open front cover.
3. Remove hose clamp and hose from each end of flow meter (4 Fig. 12).
4. Remove the two nuts holding meter to control panel.
5. Remove flow meter by pushing it through front of control panel.
6. Install new flow meter in reverse order.
7. Close front cover and secure with cabinet fasteners.

D. Pressure Regulator

The pressure regulator (10 Fig. 11) stabilizes the oxygen flow to the patient and also puts a back pressure on the system. It is pre-set at 8.5 PSI and should not have to be adjusted in the field. To test the pressure regulator use a pressure gauge (Part #444-591) and a fitting suitable to fit on the oxygen outlet (7 Fig. 2) or on a short piece of tubing connected to the outlet. The flow meter should be set at 2 LPM when testing the regulator. If adjustment is necessary, turn the allen head set screw on top of pressure regulator until the outlet pressure reads 8.5 PSI (58.6 KPa) at 2 LPM (a protective coating may have to be removed from set screw before adjustment is made.)

A malfunction in the pressure regulator will cause a loss or fluctuation in the oxygen liter flow as shown on the flow meter. It may also cause a decrease in oxygen concentration if defective or out of adjustment.

To replace pressure regulator:

1. Unplug unit from wall outlet.
2. Refer to Service Instruction B to open cabinet covers.
3. Remove hose clamp and hose from pressure regulator.
4. Unscrew regulator from accumulator tank.
5. Install new regulator on accumulator tank, attach hose, and secure with hose clamp.
6. Close cabinet covers and secure with cabinet fasteners.

E. Manifold Check Valves

Two check valves located in the manifold allow oxygen to enter the accumulator tank (9 Fig. 11) when the sieve bed pressure becomes greater than the accumulator pressure. They also prevent reverse flow of oxygen from the accumulator to the sieve beds.

A defective check valve will result in a decrease in oxygen concentration and lower accumulator pressures. To check accumulator pressures, use pressure gauge (Part #444-591) and the pressure test assembly (6 Fig. 8) included in the DeVO Service Kit. Remove the 1/16" (1.6 mm) diameter hose (4 Fig. 24) from the accumulator tank and attach it to the barbed fitting on the pressure test assembly. Attach the 1/16" (1.6 mm) hose on the other end of the pressure test assembly to the accumulator tank fitting (Point F Fig. 24). Then install the gauge on the pressure test assembly. Turn unit on with the liter flow set at 5 LPM.

Notice that during each cycle the pressure in the accumulator will rise to approximately 25.5 PSI (176 KPa) at which point the four-way and purge shift to start a new cycle. The pressure will then decrease to as low as 19 PSI (131 KPa) at 5 LPM. This minimum pressure will vary according to liter flow. The higher the liter flow, the lower the pressure will drop in the accumulator tank. When the check valve opens, allowing oxygen to flow into the accumulator, pressure will start to increase until maximum pressure is reached.

NOTE: A defective check valve will cause a rapid drop in accumulator pressure as well as pressures below 19 PSI (131 KPa) at 5 LPM.

SECTION 7

SERVICE INSTRUCTIONS

If a manifold check valve is determined to be faulty, the manifold base must be replaced. Refer to section K for manifold assembly replacement.

A third check valve (1 Fig. 12) is located between the final bacteria filter and the oxygen outlet fitting. This check valve allows oxygen to flow in only one direction and prevents gas or water from being drawn back into the unit. When unit is turned off this check valve allows accumulator tank to drain completely.

A defective final check valve may cause water to be drawn in from the humidifier bottle when unit is turned off. This may occlude the final bacteria filter and/or the flow meter causing a restriction of flow and making it difficult to adjust the flow rate.

To replace final check valve:

1. Unplug unit from wall outlet.
2. Refer to Service Instruction B to open front cover.
3. Remove hose clamp and hose from each end of check valve.
4. Attach hoses to new check valve ensuring that the end of the check valve labeled VAC is directed toward the oxygen outlet fitting. Secure with hose clamps.
5. Close front cover and secure with cabinet fasteners.

F. Molecular Sieve Bed Assemblies

The two molecular sieve beds (1,2 Fig. 10) alternately remove the nitrogen from the air passing through them and provide the patient with a constant supply of oxygen.

Sieve bed pressures can be read by attaching pressure gauges to the test points (1 Fig. 22) located on manifold assembly. Normal bed pressures are approximately 26 PSI (179 KPa) when taken at these test points or access fittings. Pressures will be approximately 1-2 PSI (6.9 - 13.8 KPa) when bed is depressurized.

The efficiency of the molecular sieve material will be impaired if it becomes contaminated by moisture. Contamination causes the molecular sieve material to lose its nitrogen adsorbing properties resulting in a reduction in oxygen concentration. Also, the pressure within the sieve bed will increase faster because of contamination which results in a shorter cycle time. Cycle time will continue to

decrease as bed contamination becomes more severe. Concentrations will also continue to decrease. Once the cycle time reaches the minimum pre-set cycle time the short and no cycle alarms will be activated.

To test sieve beds:

Tools needed:

- (2) Pressure gauges (Part #444-591)
- (2) Pressure test assembly (Part #444-502)

1. Remove the plugs from the two access fittings (6,11 Fig. 16) located at the top corners of the manifold.
2. Attach the 1/16" I.D. hose from the test assembly to one of the access fittings on the manifold. Then attach one of the plugs to the barb fitting on the test assembly. Attach the second pressure test assembly to the other access fitting in the same manner and then connect the pressure gauges to the test assemblies (4,7 Fig. 22).
3. Turn the unit on and observe the cycling (see Figure 22). Normal cycle times are approximately 16 seconds at 2 LPM, but this will vary slightly depending on altitude and the liter flow setting. Refer to the normal cycling sequence on page 24.
4. Check oxygen concentration of unit.
5. A combination of short cycle times and low oxygen concentrations indicate contaminated sieve beds.

NOTE: If the short and no cycle alarms have been activated it must be determined whether the problem is with the sieve bed or a failure of the four-way valve to shift. This is done by observing the cycling or noncycling of the unit. Short cycling would indicate bed failure and noncycling would indicate a four-way valve malfunction.

If the molecular sieve material is found to be no longer effective, first locate the source of the malfunction or cause (such as leaks) for contamination and take corrective actions.

To replace the molecular sieve beds:

1. Unplug unit from wall outlet.
2. Refer to Service Instruction B to open cabinet covers.

SECTION 7

SERVICE INSTRUCTIONS

3. Remove the thumb screws (2 Fig. 11) and brackets (1 Fig. 11) that secure sieve beds to unit vertical divider.
4. Remove the hose clamps and tubing from fittings at top of sieve beds.
5. Remove hose clamps and reinforced tubing from fittings at bottom of sieve beds.
6. Install new sieve beds in reverse order. **Make sure the end of bed with nine digit serial number and label is at the top of unit.**
NOTE: Ensure that the sealing caps are removed from the new sieve beds just prior to connecting hoses.
7. Leak test hose connections with a certified leak detection compound such as "Snoop" or "Search".
8. Close cabinet covers and secure with cabinet fasteners.

G. Four-Way Valve

The pneumatically operated four-way valve (14 Fig. 11) alternately distributes pressure supplied by the compressor to the two molecular sieve beds approximately every 11 seconds. While one bed is being pressurized the other bed is being exhausted through the four-way valve. Exhaust gases passing through the four-way are directed through the manifold to the purge valve so they can be released from the unit.

The four-way valve, while operating pneumatically, uses an external pilot valve that allows pressure to shift the spool inside the four-way. This pilot valve receives a signal (approximately 12-15 VDC) from the MC board causing it to open and allow pilot pressure to activate the four-way. When the four-way is activated the right sieve bed will pressurize. Once the bed fills the oxygen accumulator tank, the cycle is changed by removing the signal to the pilot valve. This will cause the four-way to deactivate and pressurize the left sieve bed.

NOTE: The four-way valve will not shift until the oxygen accumulator tank is filled. This will take approximately 11 seconds depending on altitude and liter flow.

If the four-way does not shift, the alarm system may be activated and the short and no cycle lights on the MC board will illuminate. See Section 5, Alarm System. If the alarm

system is not activated, short cycle times and low oxygen concentrations will result because the same bed will continue to pressurize.

There are several reasons for the four-way to malfunction. The cause of failure must be determined before the proper corrective action can be taken.

Some reasons for four-way failure are:

- (1) Continuous or no voltage to pilot valve on four-way.
- (2) Little or no pilot pressure.
- (3) Foreign matter inside valve preventing spool from shifting.
- (4) Defective or damaged four-way.
- (5) O-rings on sleeve may be worn preventing the valve from shifting properly.

To test four-way valve:

1. Connect pressure gauges furnished in the DeVO Service Kit to the test points (Fig. 22) located on the manifold.
2. Turn unit on and observe the green indicator light (8 Fig. 12) labeled four-way on the MC board. When this light is illuminated the four-way should be activated and the right bed should be pressurizing. If the left bed pressurizes instead, this indicates that the four-way did not properly shift.

If the right bed does pressurize first, observe whether pressure is shifted to the left bed once the shift point pressure is reached or if the right bed proceeds to pressurize again. In either case, if either bed continues to pressurize without shifting, further testing is needed. Refer to the normal cycling sequence on page 24.

3. Place the test leads of a volt meter across the terminals (See test position C, Figure 16) on top of the pilot valve. Approximately 12-15 VDC should be measured while the green four-way indicator light is illuminated (voltage will be supplied for approximately 11 seconds or until the oxygen accumulator tank is filled). If this reading is not obtained, check for loose or broken wires from the four-way valve to the MC board. If no loose or broken wires are found, replace the MC board.

SECTION 7

SERVICE INSTRUCTIONS

4. Test for pilot pressure. See Service Instruction "J", Pilot Pressure System.
5. If 12-15 VDC is measured at connecting leads to four-way and pilot pressure is normal then four-way valve is either defective or foreign matter has gotten inside valve causing it to malfunction. In either case the four-way valve must be removed to clean or replace it.

To remove four-way valve:

1. Unplug unit from wall outlet.
2. Refer to Service Instruction B to open front cover.
3. Disconnect the two wires from terminals on pilot valve (14 Fig. 16).
4. Remove the pilot pressure tubing from pilot valve (13 Fig. 16).
5. Remove the two allen head cap screws (2 Fig. 16) from top of four-way using an allen wrench. The top of valve body and gasket can now be removed.

NOTE: Do not remove manifold. The manifold will remain on the unit whether you are cleaning or replacing the valve.

To clean the four-way valve:

1. Remove the two allen head screws from the top of four-way valve. The top or the valve body can now be removed along with the pilot valve. The valve manifold will remain on the unit. A rubber gasket located between the valve body and valve manifold should also be removed.
2. Remove the 4 screws from the ends of the valve so that the end plates, plastic spacers and spring can be removed. **Note position of these parts.**
3. Carefully remove spool from valve body.
4. Using a non-metallic rod or dowel with a diameter no greater than the sleeve, slowly push the sleeve out either end of the valve body. (**Note: Pushing too fast will cause o-rings to roll and jam.**) Remove the "O" rings from the sleeve and inspect them for signs of damage. If they are damaged, they should be replaced using valve rebuild Kit #MC44D-707 prior to reinstallation of the sleeve into the valve body.
5. Wash the spool and sleeve (less "O" rings) in warm, soapy water until all of the

deposits have been removed. The plastic spacers and spring may also be cleaned if needed. (**Important: never try to scrape the spool or sleeve or use an abrasive substance for cleaning. This would adversely affect the operation of the valve.**)

6. Rinse the spool and sleeve thoroughly and dry with a soft, clean, lint-free cloth. Reinstall or replace "O" rings on sleeve.
7. Ensure that the air passages (ports) in both the valve body and manifold are free of any foreign matter. A clean lint-free cloth or a compressed air hose can be used to clean these.
8. Carefully push sleeve into valve body (turning it slightly) so you do not cut or nick the o-rings. To ensure proper placement of spool, use white plastic spacer and push until spool is flush with valve body.
9. Reassemble remaining parts of valve in reverse order.

To replace four-way valve:

1. Align valve body and gasket on manifold. **Ensure that gasket is aligned properly.** Secure with two allen head screws.
2. Attach pilot pressure tubing to pilot-valve.
3. Reconnect the two wires on terminals of pilot valve.
4. Replace the front cover and secure with cabinet fasteners.

H. Purge Valve

Like the four-way, the pneumatically operated purge valve (13 Fig. 11) uses an external pilot valve. This pilot valve will receive a signal (approximately 12-15 VDC) from the MC board at the beginning of each cycle (except the first) causing the purge to be activated for approximately 1.0 seconds. While the purge is activated, oxygen is transferred from the pressurized bed to the depressurized bed and the exhaust port is closed. When the purge is deactivated the exhaust port opens allowing nitrogen to be exhausted. It is released through a muffler (6 Fig. 19) located on the vertical divider behind the compressor.

SECTION 7

SERVICE INSTRUCTIONS

The opening and closing of the purge valve can be observed by attaching pressure gauges to the test points (1, Fig. 22) on the manifold. When the purge is activated there will be a sudden increase in pressure in one bed and a sudden decrease in the other as the cycle changes. When the purge is deactivated the pressures in the sieve beds will continue to increase and decrease respectively. You will hear the oxygen being transferred when the purge is activated and the exhaust will also be heard when the valve is deactivated.

A purge valve stuck in the activated position will cause both sieve beds to pressurize simultaneously and activate the alarm system. The red long cycle and high pressure lights will be illuminated. See Section 5, Alarm System. If the purge valve remains in a deactivated position, the alarm system will not be activated but the following symptoms may be noticed:

- (1) No sudden increase and decrease of sieve bed pressures when cycle changes. They will go up and down gradually.
- (2) Only the exhaust can be heard when unit cycles.
- (3) Possible drop in oxygen concentration, especially at the higher liter flows.

There are several reasons for the purge valve to malfunction. The cause of failure must be determined before the proper corrective action can be taken. Some reasons for purge failure are:

- (1) Continuous or no voltage to pilot valve on purge.
- (2) Little or no pilot pressure.
- (3) Foreign matter inside valve preventing spool from shifting.
- (4) Defective or damaged purge.
- (5) O-rings on sleeve may be worn preventing the valve from shifting properly.

To test purge valve:

1. Connect pressure gauges furnished in the DeVO Service Kit to the test points (Fig. 22) located on the manifold.
2. Turn unit on and observe the green indicator light (8 Fig. 12) labeled purge on the MC board. When this light is illuminated (approximately 1.0 seconds) the purge should be activated and there

should be a sudden increase and decrease of pressure in the respective sieve beds. The absence of this purging action indicates that the purge was not properly activated. Refer to the normal cycling sequence on page 24.

3. Place the test leads of a volt meter across the terminals (See test position B, Fig. 16) located on top of the pilot valve. Approximately 12-15 VDC should be measured while the green purge indicator light is illuminated (voltage will be supplied for approximately 1.0 seconds). If this reading is not obtained, check for loose or broken wires from the purge valve to the MC board. If no loose or broken wires are found, replace the MC board.
4. Test for pilot pressure. See Service Instruction "J", Pilot Pressure System.
5. If 12-15 VDC is measured at connecting leads to purge and pilot pressure is normal then the purge valve is either defective or foreign matter has gotten inside valve causing it to malfunction. In either case the purge valve must be removed to clean or replace it.

To remove purge valve:

1. Unplug unit from wall outlet.
2. Refer to Service Instruction B to open cabinet covers.
3. Disconnect the two wires from terminals on pilot valve (4 Fig. 16).
4. Remove the pilot pressure tubing from pilot valve (5 Fig. 16).
5. Remove the two allen head cap screws from top of purge using an allen wrench. The top or valve body and gasket can now be removed.

NOTE: Do not remove the valve manifold. The valve manifold will remain on the unit whether you are cleaning or replacing the valve.

To clean purge valve:

1. Remove the two allen head screws from the top of purge valve. The top of the valve or valve body can now be removed along with the pilot valve. The valve manifold will remain on the unit. A rubber gasket located between valve

SECTION 7

SERVICE INSTRUCTIONS

body and valve manifold should also be removed.

2. Remove the 4 screws from the ends of the valve so that the end plates, plastic spacers and spring can be removed. **Note position of these parts.**
3. Carefully remove spool from valve body.
4. Using a non-metallic rod or dowel with a diameter no greater than the sleeve, slowly push the sleeve out either end of the valve body. **(Note: Pushing too fast will cause o-rings to roll and jam).** Remove the "O" rings from the sleeve and inspect them for signs of damage. If they are damaged, they should be replaced using valve rebuild Kit #MC44D-707 prior to reinstallation of the sleeve into the valve body.
5. Wash the spool and sleeve (less "O" rings) in warm, soapy water until all of the deposits have been removed. The plastic spacers and spring may also be cleaned if needed. **(Important: Never try to scrape the spool or sleeve or use an abrasive substance for cleaning. This would adversely affect the operation of the valve).** Reinstall or replace "O" rings on sleeve.
6. Rinse the spool and sleeve thoroughly and dry with a soft, clean lint-free cloth.
7. Ensure that the air passages (ports) in both the valve body and manifold are free of any foreign matter. A clean lint-free cloth or a compressed air hose can be used to clean these.
8. Carefully push sleeve into valve body (turning it slightly) so you do not cut or nick the o-rings. To ensure proper placement of spool, use white plastic spacer and push until spool is flush with valve body.
9. Reassemble remaining parts of valve in reverse order.

To replace purge valve:

1. Align valve body and gasket on manifold. **Ensure that gasket is aligned properly. Secure with two allen head screws.**
2. Attach pilot pressure tubing to pilot valve.
3. Reconnect the two wires on terminals of pilot valve.

4. Replace the cabinet covers and secure with cabinet fasteners.

I. Compressor

The DeVO/MC44 uses a double head, oil free, Thomas compressor (14 Fig. 14) to pressurize the system up to a maximum of 28 PSI (193 KPa) every cycle. It is secured to the base of the unit by four rubber motor mounts (13 Fig. 14).

A defective compressor will cause longer cycle times resulting in lower oxygen concentrations. Long cycle times will activate the alarm system when the maximum pre-set cycle is exceeded. In this case, the red long cycle light will illuminate. See Section 5, Alarm System.

A compressor that is worn or defective may cause excessive noise and/or vibration. It may also result in a reduced pressure output. Usually this is caused by a defective internal component such as a reed valve, o-ring, gasket, or teflon ring. These components (except the teflon ring) are included in the compressor service kit (21 Fig. 26), Part #955-566.

NOTE: These internal components should be inspected and changed if necessary at approximately 10,000 hours of unit operation.

A built-in thermal cutoff switch will shut the compressor off if it becomes overheated. This protects the compressor from damage caused by a heat build-up.

To test compressor voltage:

A 240 VAC is required to operate the compressor. If the compressor does not start when power is turned on, the voltage input must be tested. This voltage can be checked at the compressor connector using a volt meter or test light. (See Figure 18).

If no voltage is detected check for loose or broken wires between the compressor connector and MC board. If the wiring is good, replace the MC board. If there is voltage at the compressor connector then either the capacitor or compressor itself is defective.

To test the compressor for proper output:

Testing the compressor involves both the testing of the pilot pressure and sieve bed pressures. First, test for pilot pressure. See Service Instruction "J". If pilot pressure is low or rising slowly, test sieve bed pressures. If it is also low or rising slowly, then:

SECTION 7

SERVICE INSTRUCTIONS

or rising slowly, test sieve bed pressures. If it is also low or rising slowly, then:

- (1) Compressor reed valves, teflon ring or the compressor itself may be defective.
- (2) There is a severe leak in system.
- (3) One or more of unit filters may be occluded.

Check for air leaks using a leak detection solution such as "Snoop" or "Search". Also ensure that the air intake filters or compressor filter are not occluded. If no leaks are found and filters are not occluded, compressor must then be removed and repaired or replaced.

To remove compressor:

1. Refer to Service Instruction B to open cabinet covers. The back cover should be completely removed to make it easier for compressor removal. The front cover does not have to be removed completely.
2. Remove hose clamp and compressor intake hose (11 Fig. 14) from compressor intake baffle.
3. Turn unit face down on work surface with compressor directed upward.
4. Remove motor mount nuts (2 Fig. 21) and washers (3 Fig. 21) using a 7/16" nut driver.
5. Carefully place unit in an upright position and disconnect the compressor quick-connect terminal (15 Fig. 14) located behind the compressor.
6. Loosen hose clamp (4 Fig. 19) and remove the black rubber pressure exhaust hose (3 Fig. 19) from compressor fitting. This can be accomplished more easily by carefully lifting the compressor slightly upward and outward while removing the hose.
7. Remove compressor from base assembly and unscrew the four motor mounts (13 Fig. 14) from bottom of compressor so that it can be placed on the work surface.

To inspect and/or replace internal components:

1. Remove the four allen head screws (4 Fig. 25) that hold each compressor head (3 Fig. 25) in place. Remove both heads at the same time.

2. Check for proper placement or damage to the gaskets (6,21 Fig. 26) on bottom of compressor heads. Replace them if they are damaged.
3. Remove reed valve plates (7,17 Fig. 26). There is a reed valve (8,20 Fig. 26) on each side of the valve plates.

NOTE: Scratches or slight indentation on top of the piston are normal. These are caused by the reed valve.

4. The reed valves should be flush with the valve plate. If it is broken, not flush with valve plate, or foreign matter is detected inside of the head, replace or clean the reed valve.

To replace reed valve:

- (A) Remove screw (9 Fig. 26) holding reed valve (8 Fig. 26) in position on valve plate and discard reed valve.
- (B) Reed valves flex in only one direction. Place the new reed valve, by the edges, between your thumb and forefinger. Gently bend (approximately 1/8" (3mm)) to determine the direction of flex.
- (C) Place the concave side of reed face down on valve plate.
- (D) Position the new reed so that it is centered and completely covers the hole in the valve plate.
- (E) Place the nylon keeper and metal retainer on the reed valve. (Reed valves on the bottom of valve plate have only the metal retainer.) Secure these with the reed valve screw.

5. Check for proper placement or damage of the rubber o-ring (13,15 Fig. 26) on the bottom of the valve plate. Replace if it is damaged.
6. Remove sleeves (12,16 Fig. 26) by pulling upwards and inspect teflon rings (4,23 Fig. 26) on pistons. Replace if badly worn or damaged.

To replace teflon ring:

- (A) Remove screws (3 Fig. 26) from top of piston (2 Fig. 26) so that retainer plate can be removed. Discard defective teflon ring.

SECTION 7

SERVICE INSTRUCTIONS

10. Secure compressor heads with the screws.

To replace compressor:

1. Remove the intake baffle (8 Fig. 14) from the compressor intake fitting (8 Fig. 25) and attach it to the intake fitting on the new compressor.
2. Inspect rubber motor mounts. Replace if damaged.
3. Install motor mounts on bottom of compressor. Tighten them only "hand tight".
4. Place compressor on base assembly with threaded rods at bottom of motor mounts extending through holes in base.
5. Reconnect black rubber hose to compressor fitting (2 Fig. 25) and secure with hose clamp.
6. Reconnect the compressor quick-connect terminal (9 Fig. 25).
7. Turn unit face down with compressor directed upward and install washers and nuts on motor mounts.

NOTE: When tightening nuts, hold motor mount with one hand to avoid twisting rubber mount. A twisted motor mount may cause excess vibration or noise.

8. Reconnect compressor intake hose (11 Fig. 14) to intake baffle (8 Fig. 14).
9. Replace cabinet covers. Ensure that all quick-connect terminals are properly connected before securing covers with cabinet fasteners.

J. Pilot Pressure System

The compressed air in the pilot pressure system is used to activate the four-way and purge valves. This compressed air (approximately 22-28 PSI (152-193 KPa)) is stored in the pilot accumulator cavity within the manifold (1 Fig. 20). An internal check valve allows compressed air to enter and prevents it from escaping. The inlet side of the pilot accumulator is connected internally within the manifold. The outlet of the pilot accumulator cavity is connected to the pilot valves on the purge and 4-way by an externally mounted "T" fitting and 1/16" (1.6 mm) tubing.

A defective check valve in the pilot accumulator or leak in the pilot pressure

tubing would result in lower pilot pressure. This, in turn, could cause a malfunction of the four-way and/or purge valve.

To test pilot pressure:

1. Refer to Service Instruction B to open cabinet covers.
2. Remove the pilot pressure tubing from the pilot valve on the four-way (4 Fig. 23).
3. Attach the pilot pressure tubing to the barbed fitting on one end of the pressure test assembly (3 Fig. 23) that is included in the DeVO Service Kit.
4. Attach the 1/16" (1.6 mm) hose on the other end of the test assembly to the fitting on the pilot valve (Point D, Fig. 23).
5. Install a pressure gauge on the test assembly.
6. With the unit operating, pilot pressure readings should be alternating between 22 to 28 PSI (152-193 KPa). This pressure range may vary slightly from one unit to another. This is essentially the same pressure as that being exhausted by the compressor. Therefore, it can also be used to help determine if the compressor is working properly.
7. If pilot pressure is low, check sieve bed pressure.
8. If sieve bed pressures are normal, check for leaks in the pilot pressure system. If no leaks are found, then the check valve in the pilot accumulator may be leaking internally. If confirmed, the manifold base must be replaced.
9. If sieve bed pressures are also low or rising slowly, then:
 - (A) Compressor reed valves, teflon ring, or the compressor itself may be defective.
 - (B) There is a severe leak in system.
 - (C) One or more of unit filters may be occluded.

K. Manifold Assembly

The manifold assembly is located on the front of the vertical divider and has two externally mounted valves, the four-way and purge (see Fig. 16). These valves can be removed separately for cleaning or replacement when

SECTION 7

SERVICE INSTRUCTIONS

- (A) Compressor reed valves, teflon ring, or the compressor itself may be defective.
- (B) There is a severe leak in system.
- (C) One or more of unit filters may be occluded.

K. Manifold Assembly

The manifold assembly is located on the front of the vertical divider and has two externally mounted valves, the 4-way and purge (see Fig. 16). These valves can be removed separately for cleaning or replacement when necessary. The base of the manifold assembly does not have to be removed in this case.

The manifold base contains internal check valves, an orifice, and a pilot accumulator cavity with check valve. If troubleshooting procedures reveal that a unit malfunction is the result of a failure of one of these check valves or any other internal problem, then the entire manifold base must be replaced. Do not take the base of the manifold apart or attempt to change any internal components.

To remove manifold:

1. Unplug unit from wall outlet.
2. Refer to service instruction B to open the front cover.
3. Cut the cable tie clamp and remove the center oxygen outlet tubing from the top of the manifold assembly (8 Fig. 16).

NOTE: Care must be taken to avoid applying a bending force which could result in breakage of the fitting on the manifold when disconnecting this tubing.

4. Loosen hose clamps and remove the left and right sieve bed oxygen supply hoses from the top of the manifold assembly (7,9 Fig. 16).
5. Loosen hose clamps and remove the left and right sieve bed hoses from the bottom of the manifold unit (16 Fig. 11).
6. Disconnect the wires from the terminals on the four way and purge pilot valves (4,14 Fig. 16).
7. Remove the two manifold base mounting screws located at the upper left and lower right face of the manifold base.
8. Carefully pull the manifold assembly away from the vertical divider a short distance

to gain access to the air inlet fitting on the back of the manifold (see Figure 20).

9. Loosen hose clamp and remove the compressor exhaust hose from inlet fitting (3 Fig. 20) and remove manifold assembly.

NOTE: If a replacement manifold is not to be installed immediately, the sieve bed hoses must be tightly sealed to prevent bed contamination.

To replace manifold:

1. Remove the 4-way and purge valves from defective manifold and install them on the new manifold base.
2. Remove protective covers from hose fittings on replacement manifold unit.

NOTE: Care should be taken to avoid scratching or otherwise damaging the fittings.

3. Attach the compressor exhaust to the inlet fitting on back of manifold and secure with hose clamp.
4. Position the manifold assembly on the vertical divider and secure with two screws in the upper left and lower right corners.
5. Install first the right and then the left sieve bed hoses on the fittings at the bottom of the manifold unit and tighten hose clamps.
6. Install the smaller (1/8" (3.2 mm) I.D.) oxygen tubing on the center fitting at the top of the manifold and secure with a new cable tie clamp.
7. Install the right sieve bed oxygen supply hose to the left manifold fitting, and the left sieve bed oxygen supply hose to the right manifold fitting. Tighten hose clamps.

NOTE: Care must be taken to insure that the right (inside) sieve bed hose is connected to the left manifold fitting, and the left (outside) sieve bed hose on the right manifold fitting.

8. Connect the electrical wire pairs to the pilot valves of the 4-way and purge.

NOTE: The yellow-brown wire pair connects to the purge pilot valve (upper unit), and the violet-brown wire pair connects to the four way pilot valve (lower unit).

SECTION 7

SERVICE INSTRUCTIONS

objects to come in contact with the terminals on the capacitor.

To replace capacitor:

1. Unplug unit from wall outlet.
2. Refer to Service Instruction B to open cabinet covers.
3. Disconnect the two wires from terminals on the capacitor.
4. Cut the two nylon cable ties holding capacitor in place and remove capacitor.
5. Install new capacitor and secure with cable ties.
6. Reconnect wires to capacitor terminals.
7. Replace cabinet covers and secure with cabinet fasteners.

M. Cooling Fan

The cooling fan (12 Fig. 11) provides a constant air flow for the compressor. A defective cooling fan will cause the compressor to overheat and automatically shut off.

To replace cooling fan:

1. Unplug unit from wall outlet.
2. Refer to Service Instruction B to open front cover.
3. Disconnect the cooling fan quick-connect terminal.
4. Remove the four retaining screws (11 Fig. 11) that secure the fan to the vertical divider.
5. Remove the defective fan and secure the replacement fan in position with the four retaining screws.

NOTE: When installing the fan, be sure the air flow directional arrow on the side of the fan is directed toward compressor.

6. Reconnect the quick-connect terminal.
7. Replace the front cover and secure with cabinet fasteners.

N. Microcomputer Control Board

The microcomputer control board or MC board (7 Fig. 12) located on the inside of the front cover is responsible for monitoring and controlling the DeVO/MC44. It activates all alarms and maintains the normal pressure/depressurization cycle. When a system

malfunction is sensed by the MC board, the alarm system is activated. Depending on the type of failure, a visible alarm on the unit control panel will illuminate and the red indicator lights (8 Fig. 12) on the MC board will come on. The audible alarm will also sound.

A pressure transducer (13 Fig. 12) on the MC board constantly senses oxygen pressure in the accumulator tank. This transducer is connected to the accumulator tank by a 1/16" (1.6 mm) diameter hose (14 Fig. 12) and senses the rise and fall of pressure within the accumulator throughout each cycle. Once the accumulator pressure reaches approximately 25.5 PSI (176 KPa) the MC board sends a signal (approximately 12-15 VDC) to the four-way and purge valves, activating them and starting a new cycle. Until accumulator pressure reaches 25.5 PSI (176 KPa) the valves will not shift. Normally it takes approximately 16 seconds at 2 LPM for a bed to pressurize and complete the cycle, but factors such as altitude and flow rate will affect this cycle time. Increases in altitude and/or flow rate will increase cycle time slightly. Decreases will cause an opposite effect.

A minimum and maximum cycle time has also been pre-set on the MC board. If the unit cycle time does not remain within these limits, the alarm system will be activated. If the unit cycle time exceeds the pre-set maximum cycle time, the long cycle alarm light will come on. When the pre-set minimum cycle time is reached the short and no cycle alarm lights will come on. See Section 5, Alarm System.

To replace MC board:

1. Unplug unit from wall outlet.
2. Refer to Service Instruction B to open front cover.
3. Disconnect the terminal connectors at end of wire harness (12 Fig. 12) from the MC board by pulling them straight out.
4. Remove the 1/16" hose attached to the transducer (14 Fig. 12).
5. Remove the four screws (6 Fig. 12) that secure the board to the cabinet and remove the MC board.
6. Install the new MC board and secure it using the four screws.

SECTION 7

SERVICE INSTRUCTIONS

2. Refer to Service Instruction B to open front cover.
3. Disconnect the terminal connectors at end of wire harness (12 Fig. 12) from the MC board by pulling them straight out.
4. Remove the 1/16" (1.6 mm) hose attached to the transducer (14 Fig. 12).
5. Remove the four screws (6 Fig. 12) that secure the board to the cabinet and remove the MC board.
6. Install the new MC board and secure it using the four screws.
7. Reconnect the terminal connectors and transducer hose.
8. Close front cover and secure with cabinet fasteners.

O. Normal Cycling Sequence of DeVO/MC44

When pressure test gauges are attached to the test points (Fig. 22) on the manifold the following cycling sequence should be observed. Most types of unit malfunctions will cause a deviation in this sequence and possibly a unit shutdown or a change in cycle times.

When the concentrator is turned on, this normal cycling sequence should be observed.

- A. Right sieve bed is pressurized (approximately 26 PSI (179 KPa)) and left sieve bed is depressurized.
 1. Four-way valve is activated.
 - a. Pilot pressure is entering four-way (approximately 22-28 PSI (152-193 KPa)).
 - b. A 12-15 VDC signal from MC board is present at terminals on pilot valve and the green four-way indicator light is illuminated.
- B. Purging action is present (approximately 1.0 seconds) and bed pressures equalize at approximately 15 PSI (103 K Pa).
 1. Purge valve is activated.
 - a. Pilot pressure is entering purge (approximately 22-28 PSI (152-193 KPa))
 - b. A 12-15 VDC signal from MC board is present at terminals on pilot valve for approximately 1.0

seconds and the green purge indicator light is illuminated.

- C. Left sieve bed is pressurized (approximately 26 PSI (179 KPa)) and right sieve bed depressurizes to 2 PSI (13.8 KPa).
 1. Four-way valve is deactivated.
 - a. The pilot valve shuts off pilot pressure to four-way.
 - b. No voltage is present at terminals of pilot valve and the green four-way indicator light is not illuminated.
- D. Purging action is present as described in step B.
- E. Step A is repeated again.

NOTE: Cycle time is approximately 11 seconds for each sieve bed at 2 LPM. However increases in altitude and flow rate will increase cycle times slightly and decreases will shorten cycles.

SECTION 8

PARTS AND ILLUSTRATIONS

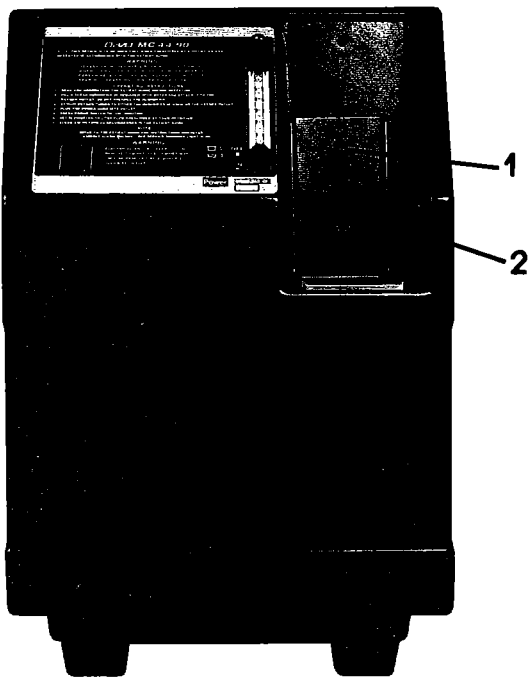


Figure 1: DeVO/MC44-90

- 1. Humidifier stand
- 2. Elastic strap

444-509

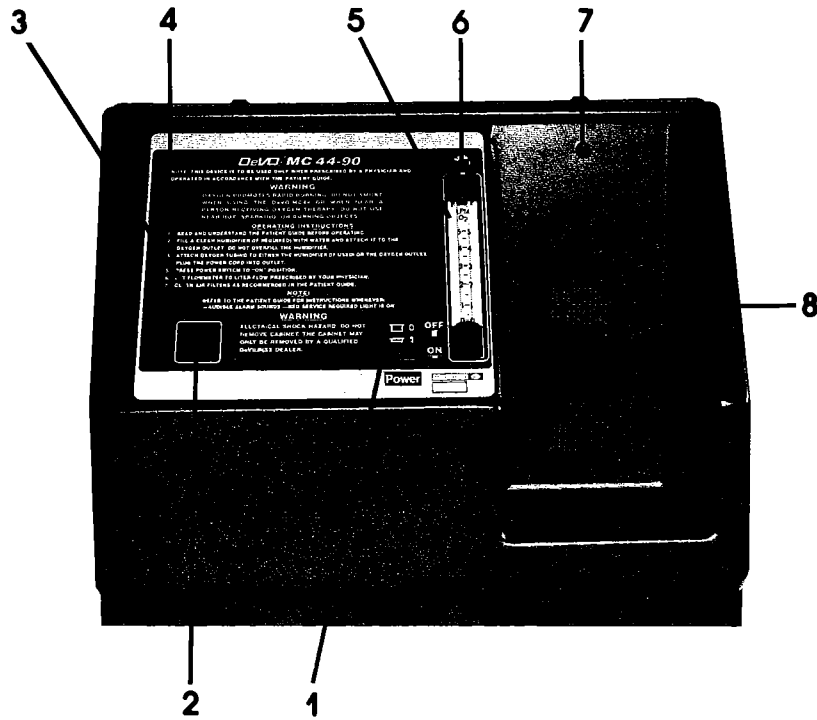


Figure 2: DeVO/MC44-90 with Humidifier Stand Removed

- 1. On/off switch MC29I-662
- 2. Visible alarm panel
- 3. Audible alarm (located inside front cover on MC board)
- 4. Control panel label
- 5. Flow meter MC44D-675
- 6. Control knob
- 7. Oxygen outlet fitting
- 8. Velcro strip 444-576

SECTION 8

PARTS AND ILLUSTRATIONS

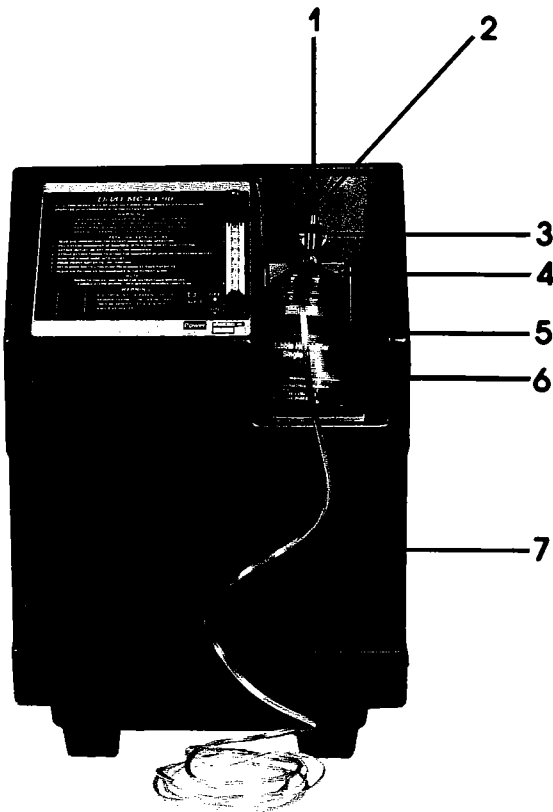


Figure 3: DeVO/MC44-90 with Humidifier Bottle

- | | |
|--------------------------------|----------------|
| 1. Oxygen outlet fitting | |
| 2. Humidifier adapter tubing | 444-506 or 507 |
| 3. Straight humidifier adapter | 444-506 |
| 4. Humidifier stand | 444-509 |
| 5. Elastic strap | |
| 6. Bubble humidifier | |
| 7. Oxygen tubing | |

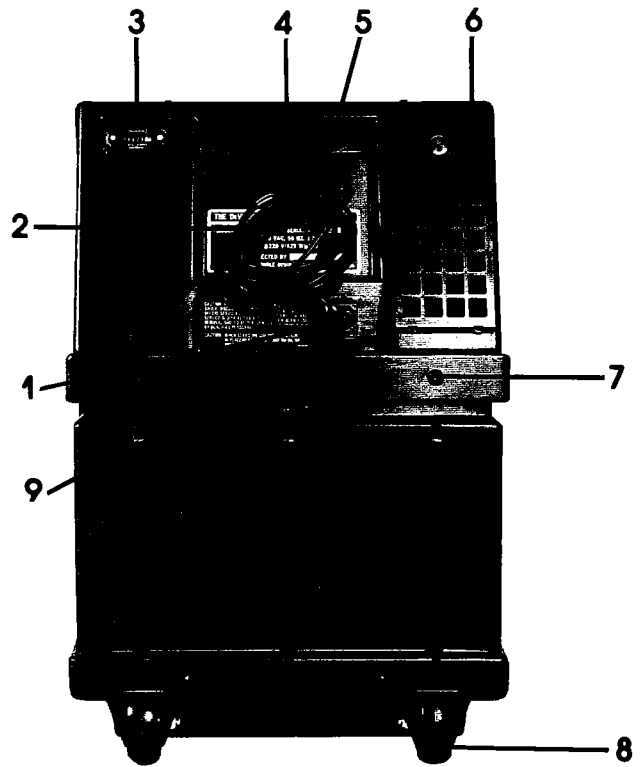


Figure 4: Rear View

- | | |
|-----------------------------|-----------|
| 1. 2 Amp fuse | MC44I-664 |
| 2. Line cord | MC29I-618 |
| 3. Hour meter | MC29I-617 |
| 4. Line cord strap | MC29D-657 |
| 5. Serial number label | |
| 6. Gross particle filter | 444-514 |
| 7. Fastener | 444-539 |
| 8. Wheel | MC29D-610 |
| 9. Power connector assembly | MC44I-660 |

SECTION 8

PARTS AND ILLUSTRATIONS

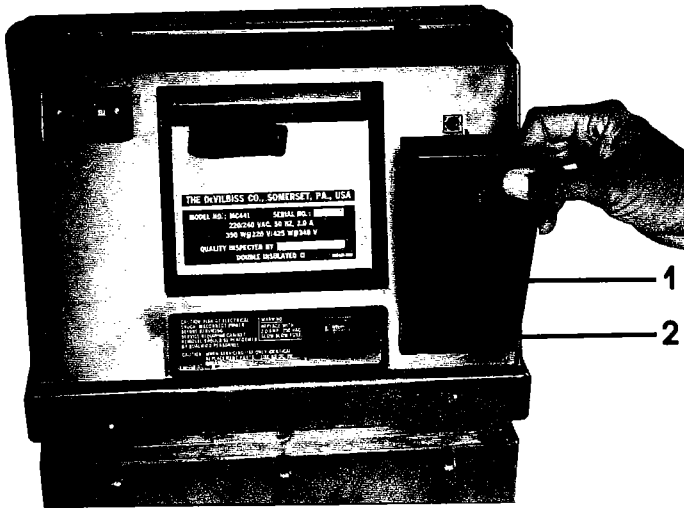


Figure 5: Gross Particle Filter Assembly Being Removed

- | | |
|-----------------------------------|---------|
| 1. Gross particle filter assembly | 444-578 |
| 2. Gross particle filter | 444-514 |

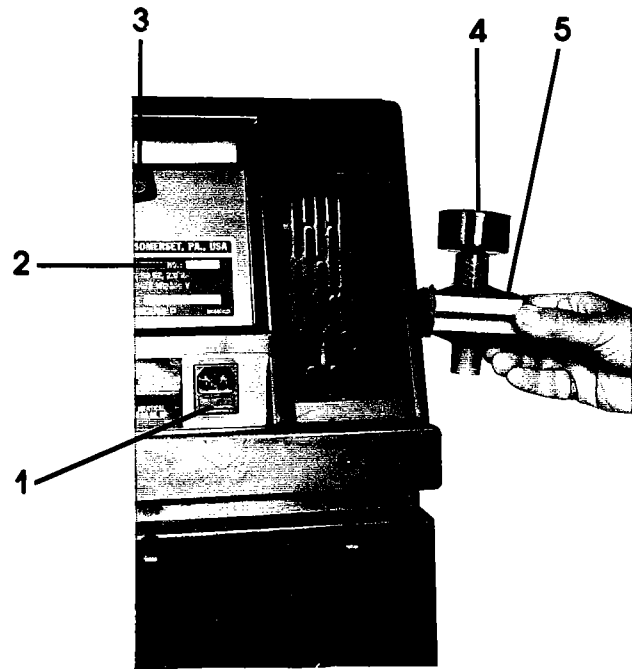


Figure 6: Filter Assembly Removed

- | | |
|-----------------------------|-----------|
| 1. 2 Amp fuse | MC44I-664 |
| 2. Serial number label | |
| 3. Line cord strap | MC29D-657 |
| 4. Felt pre-filter assembly | 444-577 |
| 5. Intake bacteria filter | 444-504 |

SECTION 8

PARTS AND ILLUSTRATIONS

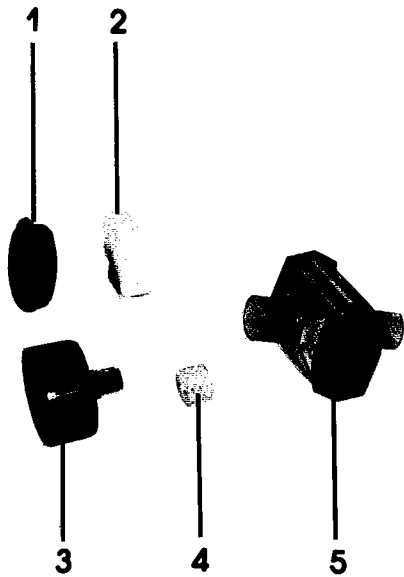


Figure 7: Filter Assembly

- | | |
|--|---------|
| 1. Pre-filter cap | |
| 2. Felt pre-filter pad | 444-503 |
| 3. Pre-filter housing | |
| 4. Adapter | 444-598 |
| 5. Intake bacteria filter | 444-504 |
| 6. Pre-filter assembly
(Includes nos. 1, 2, 3, 4) | 444-577 |

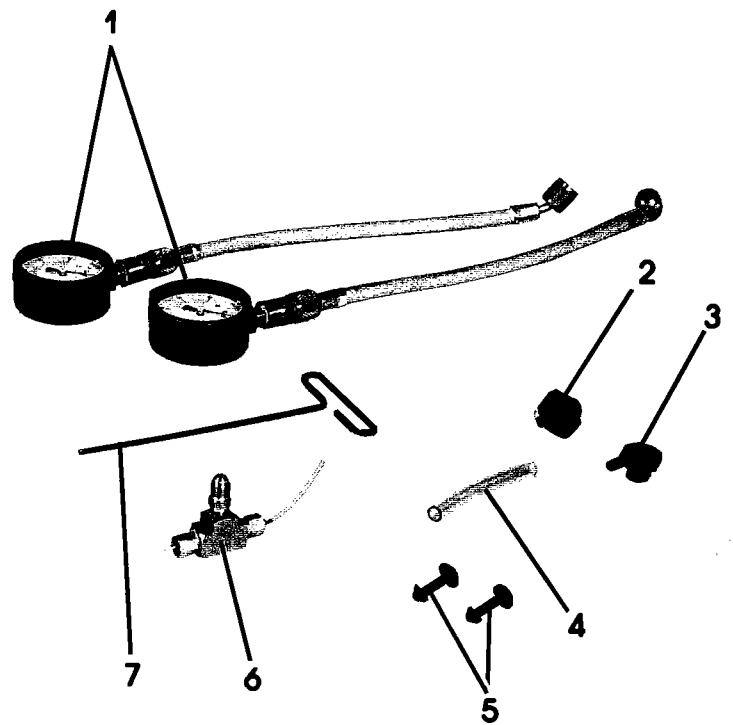


Figure 8: Accessories

- | | |
|-----------------------------------|----------------|
| 1. Gauge and hose assembly | 444-591 |
| 2. Straight humidifier adapter | 444-506 |
| 3. Elbow humidifier adapter | 444-507 |
| 4. Humidifier adapter tubing | 444-506 or 507 |
| 5. Fastener | 444-539 |
| 6. Pressure test assembly | 444-502 |
| 7. 5/32" (4 mm) "T" handle wrench | 444-592 |

SECTION 8

PARTS AND ILLUSTRATIONS



Figure 9: Loosening Cabinet Fastener

- | | |
|----------------------------|-----------|
| 1. Front cover | MC44U-620 |
| 2. Back cover | MC44U-621 |
| 3. Fastener | 444-539 |
| 4. 5/32" "T" handle wrench | 444-592 |

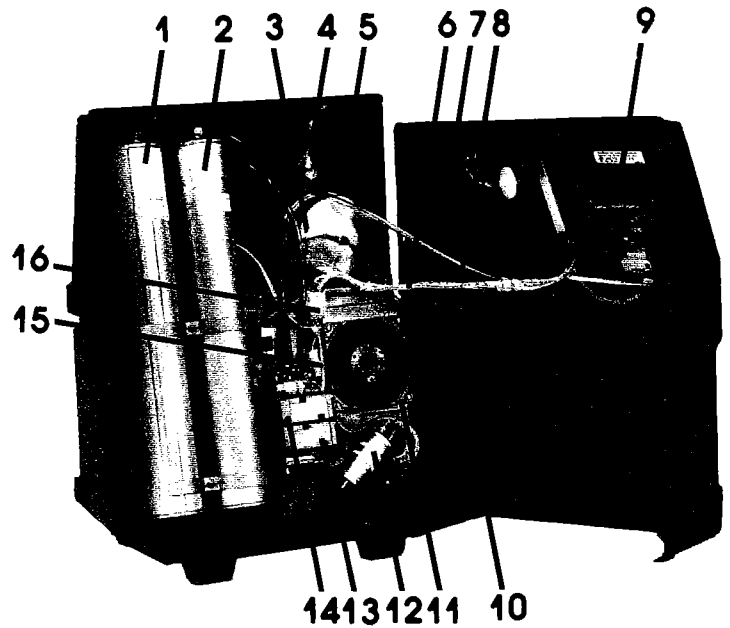


Figure 10: Front View With Cover Open

- | | |
|--|-----------|
| 1. Left molecular sieve bed | 444-518 |
| 2. Right molecular sieve bed | 444-518 |
| 3. Accumulator tank | MC44D-630 |
| 4. Pressure regulator | MC29D-612 |
| 5. Back cover | MC44U-621 |
| 6. Upper wire harness | MC44I-678 |
| 7. Front cover | MC44U-620 |
| 8. 1/4" (6.4 mm) I.D. hose | 444-525 |
| 9. MC board | MC44U-714 |
| 10. 1/16" (1.6 mm) I.D. hose | 444-526 |
| 11. Cooling fan | MC29I-634 |
| 12. Capacitor | 444-543 |
| 13. Four-way valve | MC44D-702 |
| 14. Purge valve | MC44D-703 |
| 15. Lower wire harness | MC44I-679 |
| 16. Connector terminal (main wire harness) | |

SECTION 8

PARTS AND ILLUSTRATIONS

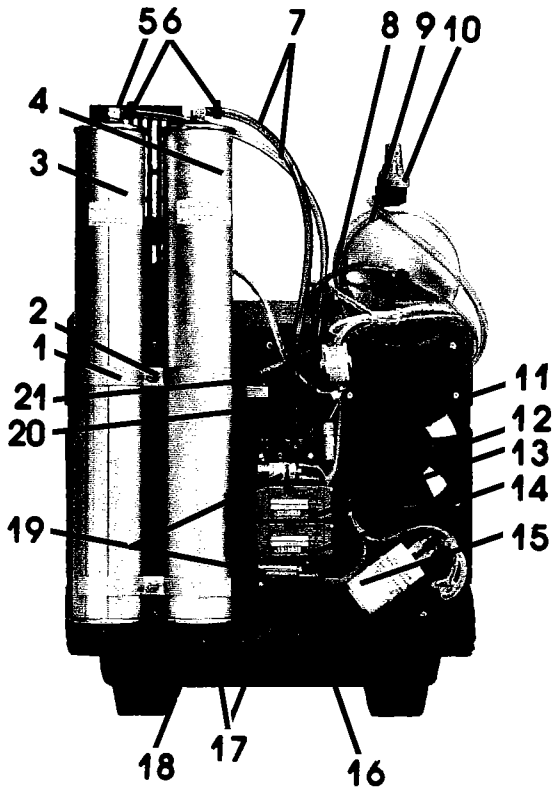


Figure 11: Front View With Covers Removed

1. Sieve bed bracket	444-548
2. Thumb screw	MC29D-648
3. Left molecular sieve bed	444-518
4. Right molecular sieve bed	444-518
5. Brass elbow (top of sieve bed)	MC44D-672
6. #2 hose clamp	444-524
7. 1/4" (6.4 mm) I.D. hose	444-525
8. 1/8" (3.2 mm) I.D. hose	444-554
9. Accumulator tank	MC44D-630
10. Pressure regulator	MC29D-612
11. Screw (fan)	
12. Cooling fan	MC29I-634
13. Purge valve	MC44D-703
14. Four-way valve	MC44D-702
15. Capacitor	MC44I-626
16. 1/2" (12.7 mm) I.D. reinforced hose	444-549
17. Hose clamp	444-566 or 538
18. Brass elbow (bottom of sieve bed)	MC44D-673
19. Pilot valves	
20. 9 Volt battery	
21. Battery terminal	

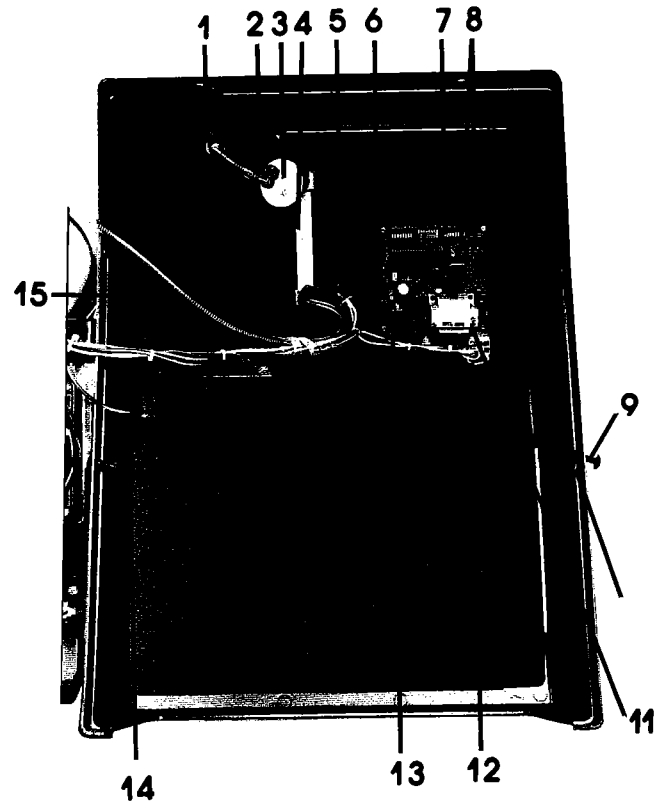


Figure 12: Inside Front Cover

1. Final check valve	444-527
2. #2 hose clamp	444-524
3. Final bacteria filter	MC29D-651
4. Flow meter	MC44D-675
5. On/off switch	MC29I-662
6. Screw (MC board)	
7. MC board	MC44I-714
8. Indicator lights	
9. Fastener	444-539
10. Plastic washer	MC44D-683
11. 1/10 Amp fuse	444-534
12. Wire harness connector	
13. Pressure transducer	
14. 1/16" (1.6 mm) I.D. hose	444-526
15. 1/4" (6.4 mm) I.D. hose	444-525

SECTION 8

PARTS AND ILLUSTRATIONS

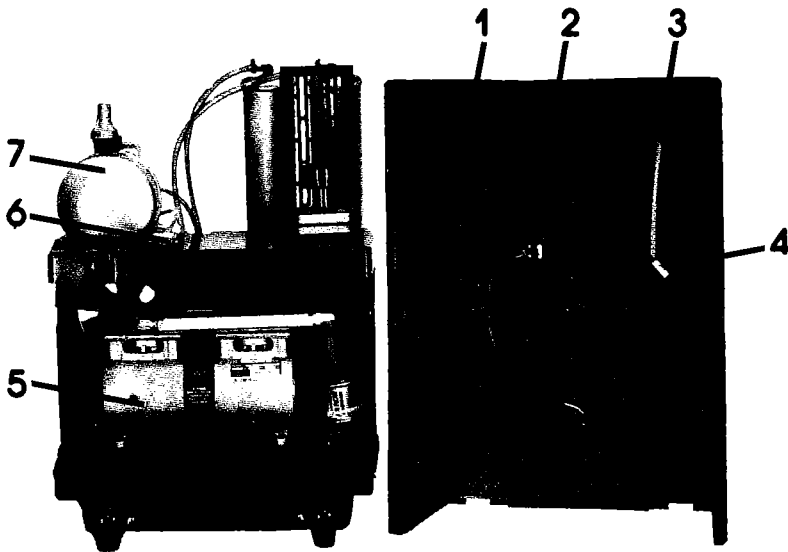


Figure 13: Rear View With Cover Open

- | | |
|------------------------------------|-----------|
| 1. Back cover | MC44U-621 |
| 2. 2 Amp fuse | MC44I-664 |
| 3. Hour meter | MC29I-617 |
| 4. Connector terminal (hour meter) | |
| 5. Compressor | MC44U-625 |
| 6. Terminal block | |
| 7. Accumulator tank | MC44D-630 |

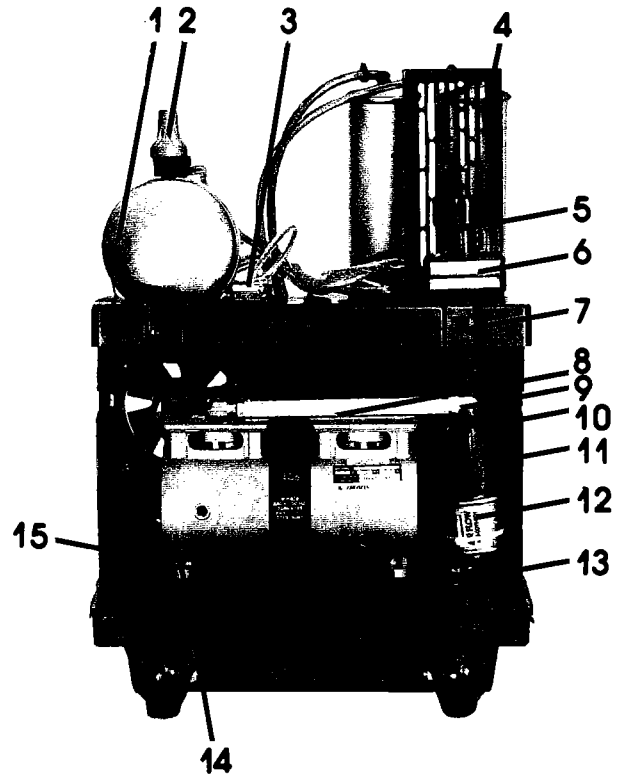


Figure 14: Rear View With Covers Removed

- | | |
|---------------------------------------|-----------|
| 1. Accumulator tank | MC44D-630 |
| 2. Pressure regulator | MC29D-612 |
| 3. Terminal block | |
| 4. Intake baffle | |
| 5. Felt pre-filter assembly | 444-577 |
| 6. Intake bacteria filter | 444-504 |
| 7. Fastener retainer | MC29D-668 |
| 8. Compressor intake baffle | 444-542 |
| 9. Nylon elbow | 444-544 |
| 10. #12 hose clamp | 444-538 |
| 11. Intake hose (1/2" (12.7 mm) I.D.) | 444-549 |
| 12. Compressor filter | MC44D-637 |
| 13. Motor mount | 444-581 |
| 14. Compressor | MC44U-625 |
| 15. Connector terminal (compressor) | |

SECTION 8

PARTS AND ILLUSTRATIONS

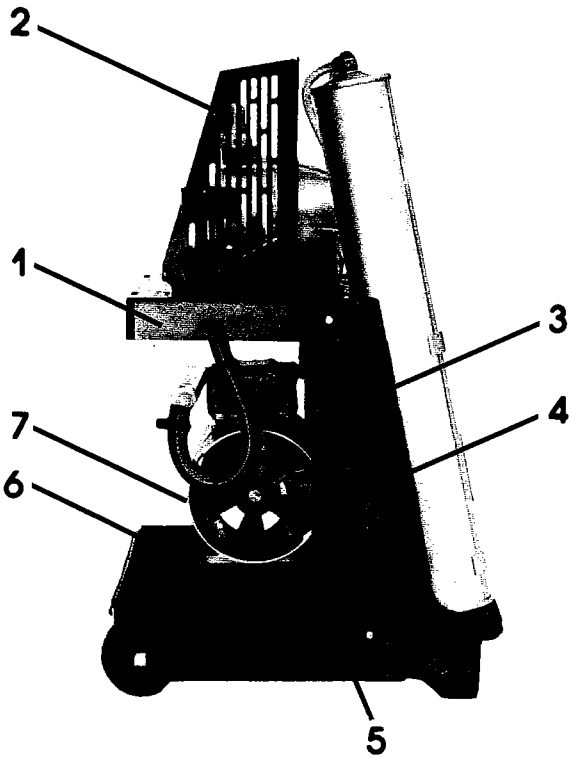


Figure 15: Left Side View

- | | |
|-----------------------------|-----------|
| 1. Accumulator shelf | |
| 2. Intake baffle | |
| 3. Fastener retainer | MC29D-668 |
| 4. Vertical divider | |
| 5. Compressor base assembly | MC44D-677 |
| 6. Motor mount | 444-581 |
| 7. Compressor | MC44I-625 |

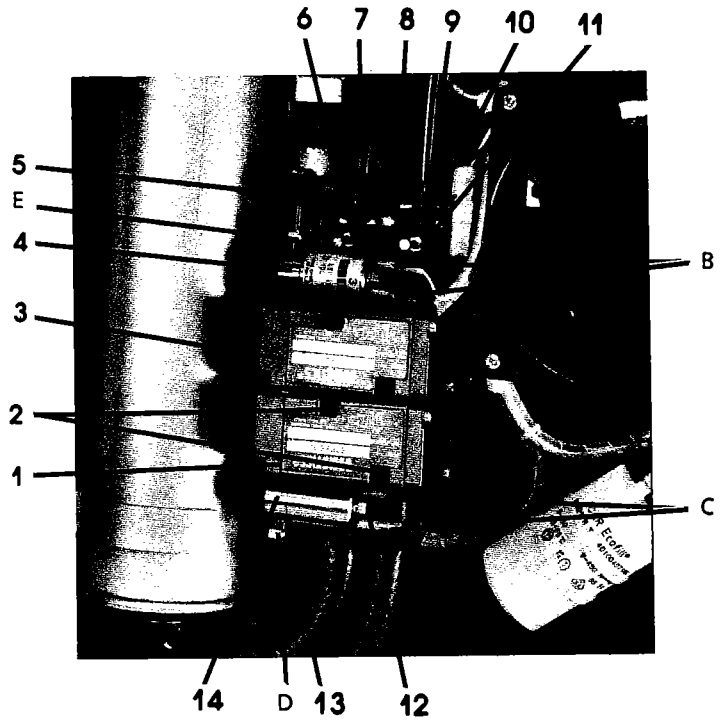


Figure 16: Manifold Assembly

- | | |
|--|---|
| 1. Four-way valve | MC44D-702 |
| 2. Allen head screws | |
| 3. Purge valve | MC44D-703 |
| 4. Pilot valve | |
| 5. Pilot pressure hose
(1/16" (1.6 mm) I.D.) | 444-526 |
| 6. Access fitting and plug | MC44D-706 |
| 7. Oxygen supply hose
(from right bed) | 444-525 |
| 8. Oxygen outlet hose | 444-554 |
| 9. Oxygen supply hose
(from left bed) | 444-525 |
| 10. #2 Hose clamp | 444-524 |
| 11. Access fitting and plug | MC44D-706 |
| 12. Pilot valve exhaust | MC44D-706 |
| 13. Pilot pressure hose
(1/16" (1.6 mm) I.D.) | 444-526 |
| 14. Pilot valve | |
| 15. Manifold accessory package | MC44D-706
(includes 2 each of nos 6, 11, 12) |
- A. Test position for voltage at purge
 B. Test position for voltage at four-way
 C. Test position for voltage at four-way
 D. Test position for pilot pressure at four-way
 E. Test position for pilot pressure at purge

SECTION 8

PARTS AND ILLUSTRATIONS

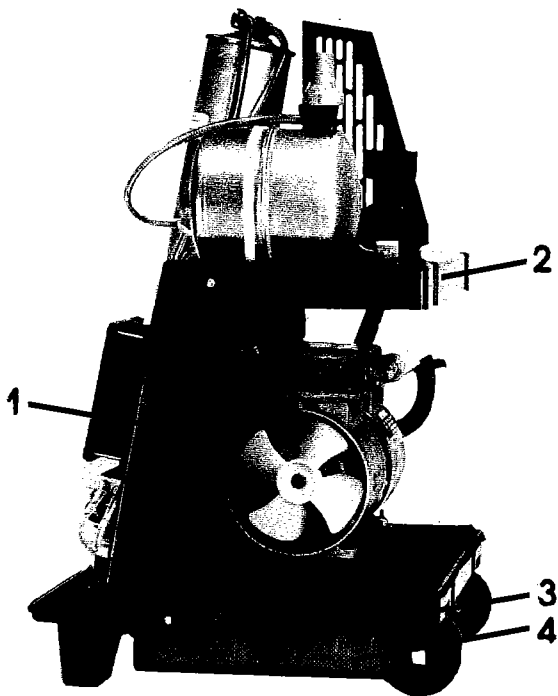


Figure 17: Right Side View

- 1. Vertical divider
- 2. Accumulator shelf
- 3. Compressor base assembly MC44D-677
- 4. Exhaust screen MC44D-681

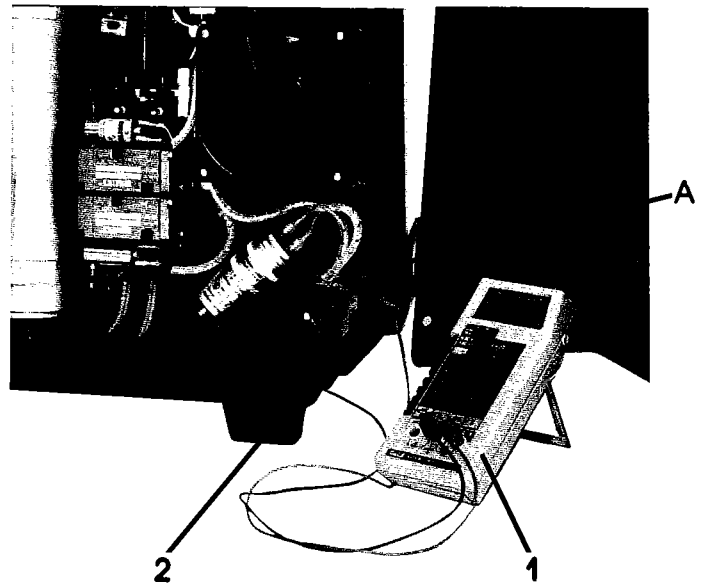


Figure 18: Testing Compressor Voltage

- 1. Volt meter
- 2. Volt meter test leads
- A. Test position for compressor voltage

SECTION 8

PARTS AND ILLUSTRATIONS

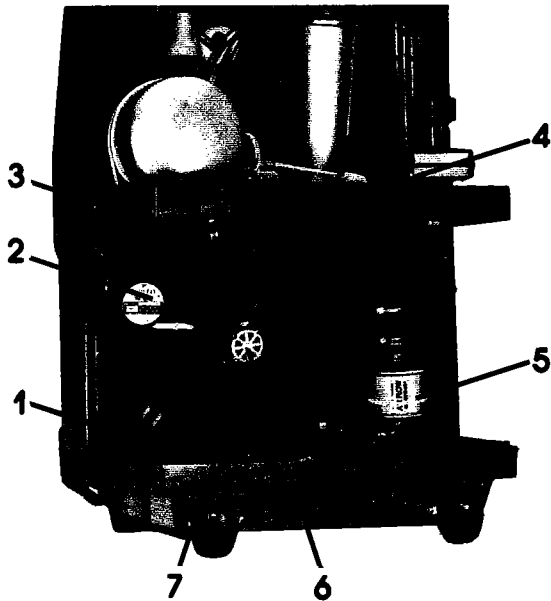


Figure 19: Rear View With Compressor Removed

- | | |
|------------------------------------|----------------------------|
| 1. Connector terminal (compressor) | |
| 2. Cooling fan | 309-5581-008
-MC291-634 |
| 3. Pressure exhaust hose | 444-565 |
| 4. Ladder clamp | 444-566 |
| 5. Compressor filter | MC44D-637 |
| 6. Exhaust muffler assembly | MC44D-705 |
| 7. Exhaust muffler felt pad | MC44D-704 |

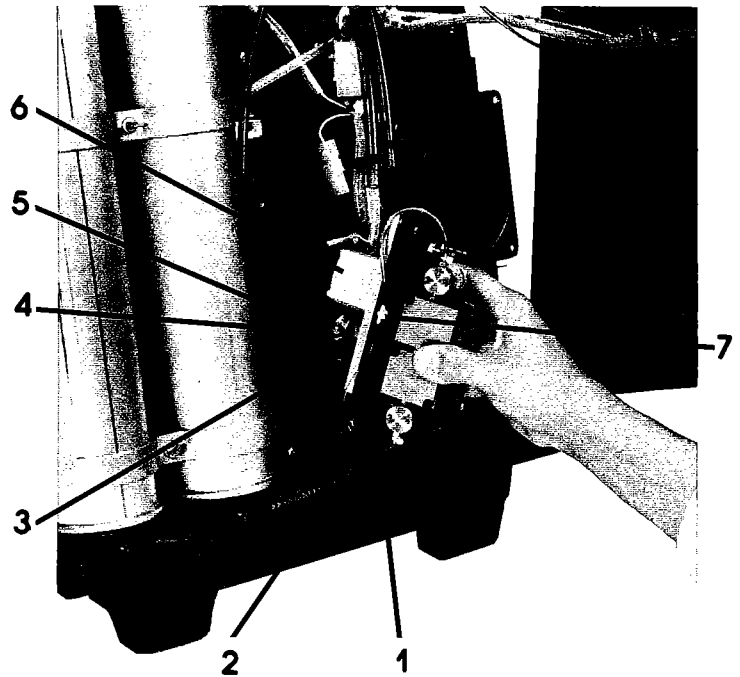


Figure 20: Removing Manifold Assembly

- | | |
|---|-----------|
| 1. Manifold base | MC44D-701 |
| 2. Pilot pressure hose (1/16" (1.6 mm) I.D.) | 444-526 |
| 3. Pressure inlet | |
| 4. Ladder clamp | 444-566 |
| 5. Pressure exhaust hose | 444-565 |
| 6. Exhaust muffler assembly | MC44D-705 |
| 7. Plastic tee | MC44D-706 |
| 8. Manifold assembly (includes base and both four-way and purge valves) | MC44D-700 |

SECTION **8**
PARTS AND ILLUSTRATIONS

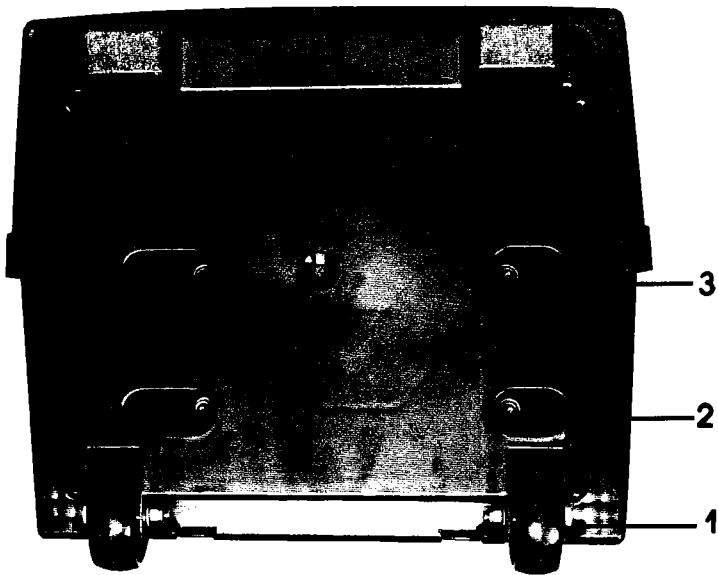


Figure 21: Bottom View

- | | |
|--------------------|-----------|
| 1. Wheel assembly | MC29D-610 |
| 2. Motor mount nut | |
| 3. Washer | |

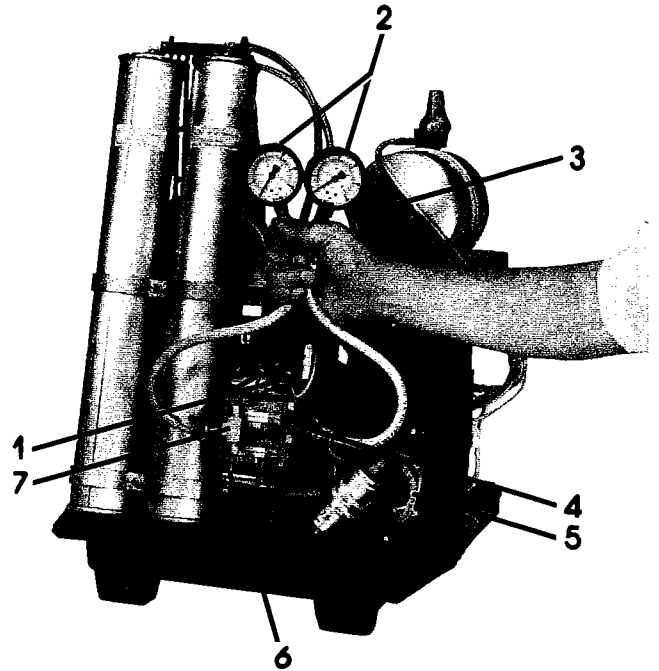


Figure 22: Testing Sieve Bed Pressures And Cycle Observation

- | | |
|---------------------------|-----------|
| 1. Access fittings | MC44D-706 |
| 2. Pressure test gauges | 444-591 |
| 3. Nylon cable tie | MC44I-708 |
| 4. Pressure test assembly | 444-502 |
| 5. Nylon cable wrap | MC44I-709 |
| 6. Access fitting plugs | MC44D-706 |
| 7. Pressure test assembly | 444-502 |

SECTION 8

PARTS AND ILLUSTRATIONS

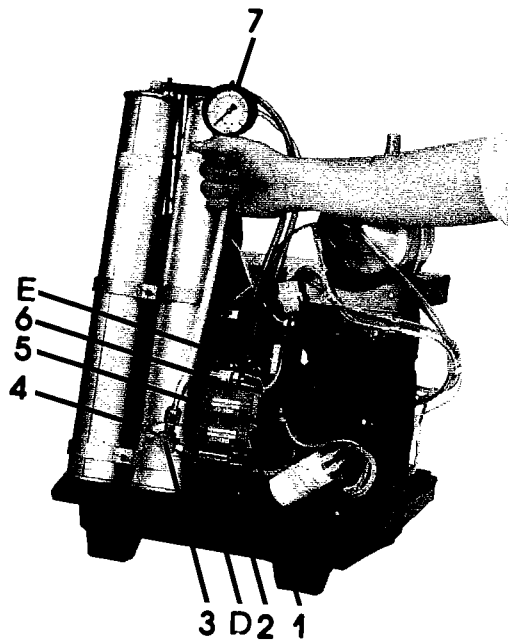


Figure 23: Testing Pilot Pressure

- | | |
|---|-----------|
| 1. Four-way valve | MC44D-702 |
| 2. Pilot valve | |
| 3. Pressure test assembly | 444-502 |
| 4. Pilot pressure hose
(1/16" (1.6 mm) I.D.) | 444-526 |
| 5. Purge valve | MC44D-703 |
| 6. Pilot valve | |
| 7. Pressure test gauge | 444-591 |
- D. Test position for pilot pressure at four-way
E. Test position for pilot pressure at purge

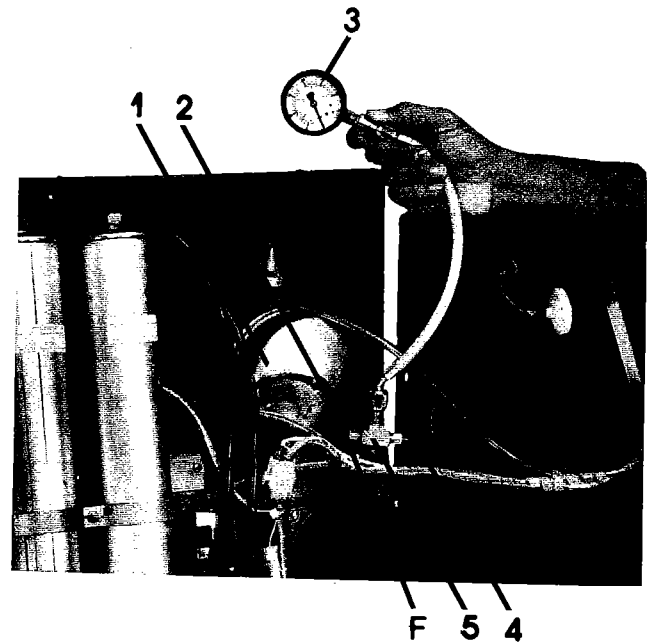


Figure 24: Testing Accumulator Tank Pressure

- | | |
|-----------------------------|-----------|
| 1. Accumulator tank | MC44D-630 |
| 2. Accumulator fitting | 444-582 |
| 3. Pressure test gauge | 444-591 |
| 4. 1/16" (1.6 mm) I.D. hose | 444-526 |
| 5. Pressure test assembly | 444-502 |
- F. Test position for accumulator tank pressure

SECTION 8

PARTS AND ILLUSTRATIONS

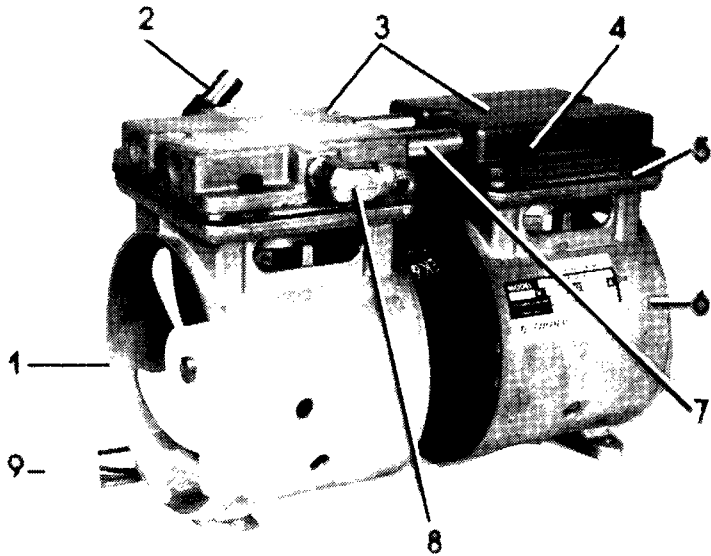


Figure 25: Compressor Assembly

- | | |
|------------------------------------|-----------|
| 1. Compressor | MC44U-625 |
| 2. Brass elbow (pressure exhaust) | MC44D-673 |
| 3. Compressor heads | |
| 4. Screw | |
| 5. Valve plate | |
| 6. Housing | |
| 7. Connecting tube | |
| 8. Brass elbow (intake) | MC44D-687 |
| 9. Connector terminal (compressor) | |

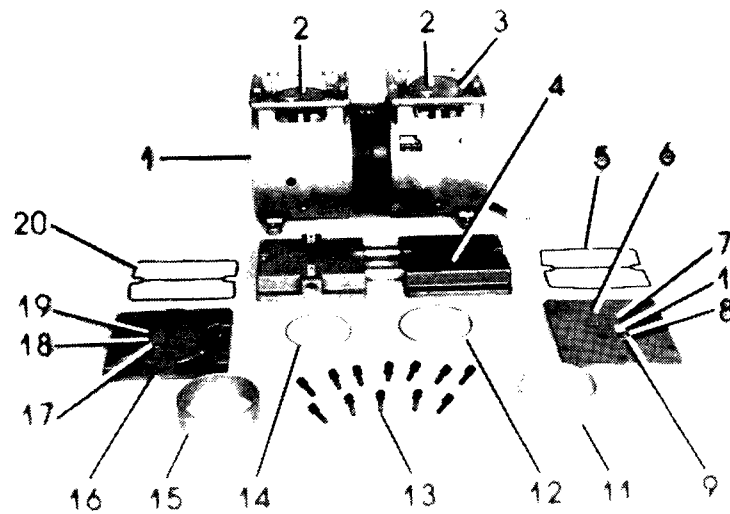
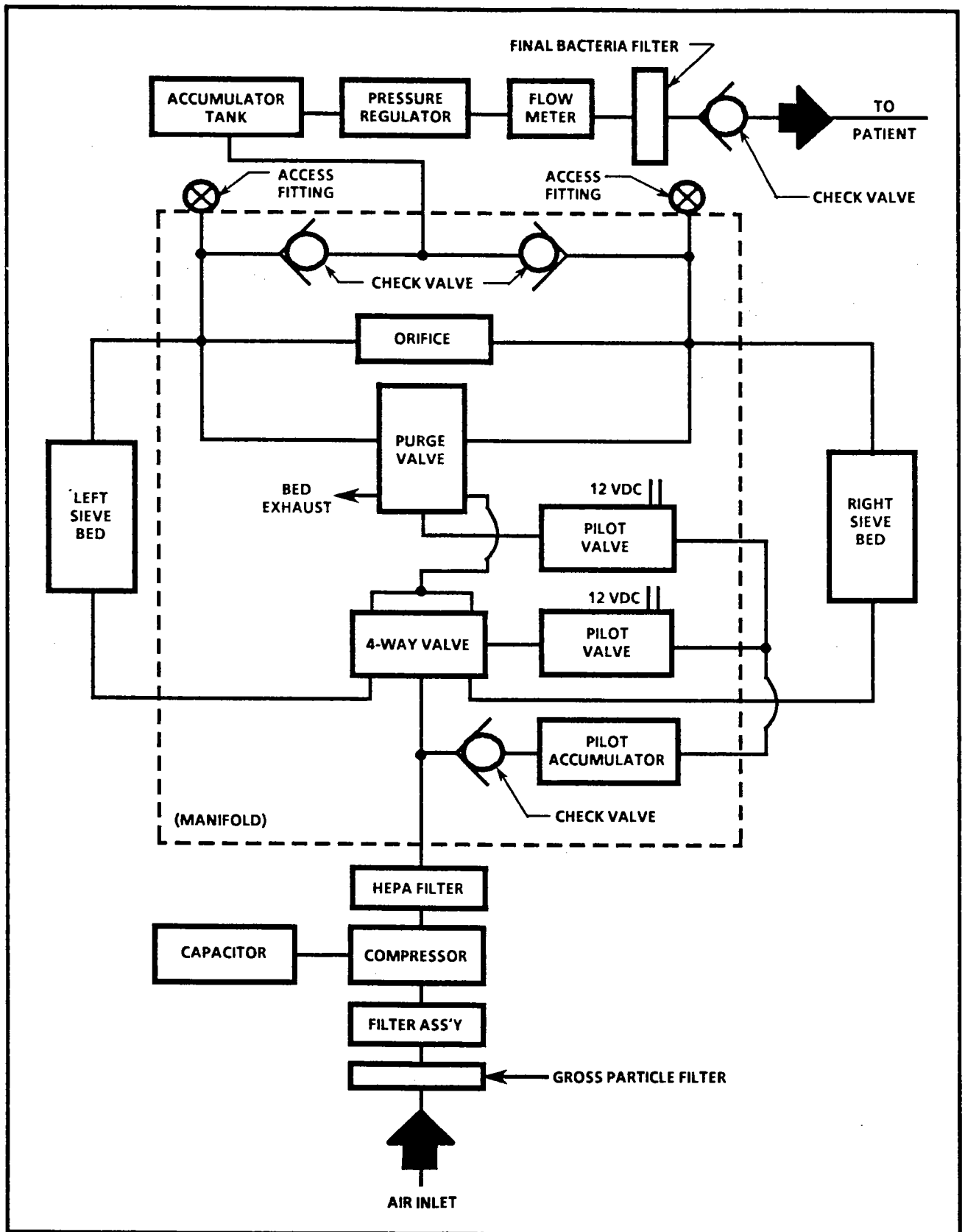
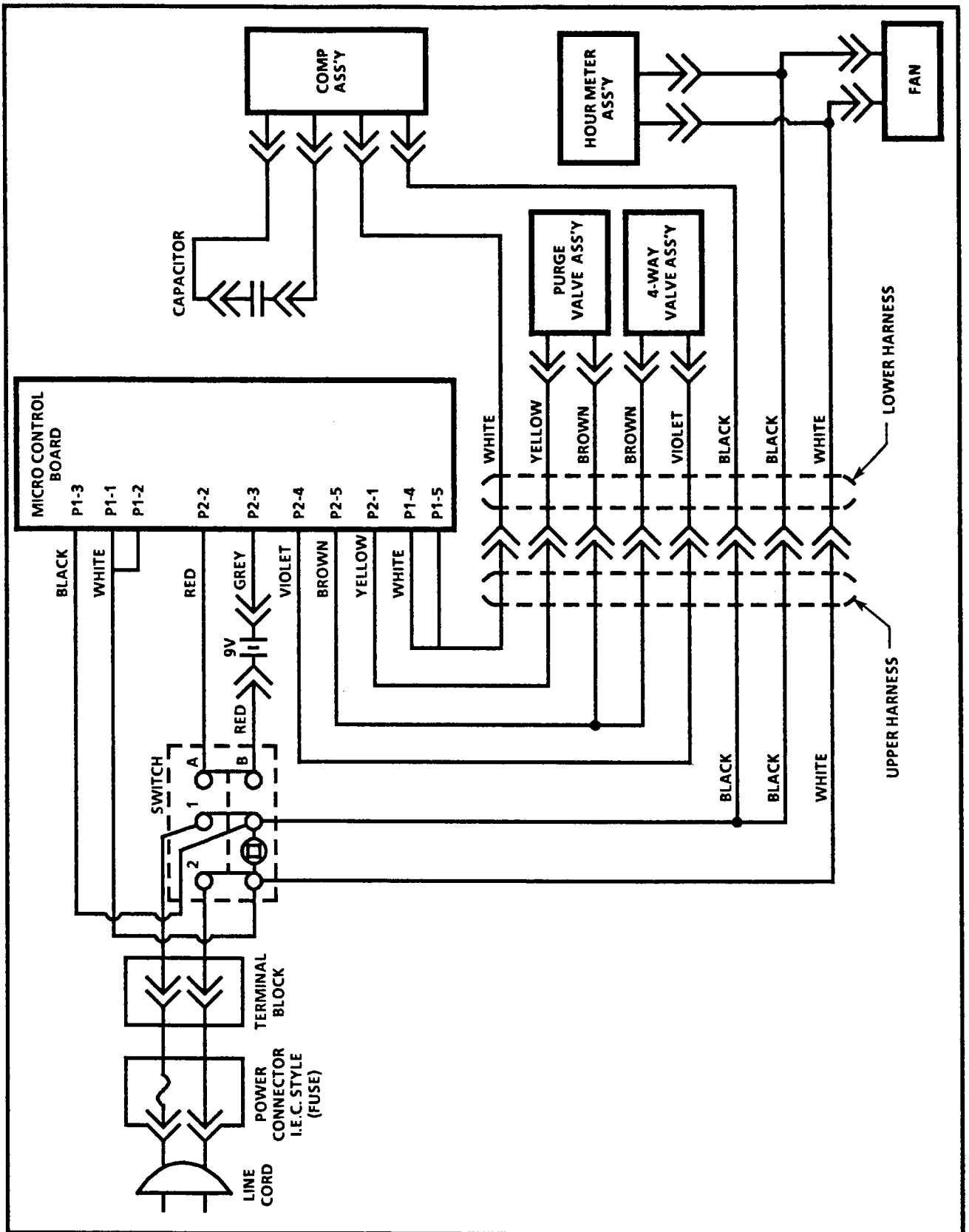


Figure 26: Internal Components of Compressor

- | | |
|--|---------|
| 1. Compressor housing | |
| 2. Pistons | |
| 3. Teflon ring | |
| 4. Compressor head | |
| 5. Gasket | |
| 6. Valve plate (top view) | |
| 7. Reed valve | |
| 8. Screw (reed valve) | |
| 9. Metal retainer | |
| 10. Nylon keeper | |
| 11. Piston sleeve | |
| 12. O-ring | |
| 13. Screw | |
| 14. O-ring | |
| 15. Piston sleeve | |
| 16. Valve plate (bottom view) | |
| 17. Screw (reed valve) | |
| 18. Metal retainer | |
| 19. Reed valve | |
| 20. Gasket | |
| 21. Compressor service kit | 955-566 |
| (Includes 2 each of nos. 5, 12, & 4 each of no. 7) | |



DeVO/MC44 Pneumatic Diagram



DeVO/MC44 Electrical Block Diagram

UNIT SPECIFICATIONS

Oxygen concentrations	1 LPM - 95% ± 3% 2 LPM - 95% ± 3% 3 LPM - 95% ± 3% 4 LPM - 92% ± 3% 5 LPM - 80% ± 3%
Oxygen outlet pressure	8.5 PSI (58.6 KPa)
Voltage required	220 ± 10% VAC, 50 Hz
Power usage	390 Watts Maximum @ 220 VAC, 50 Hz
Running amperage	1.8 Amps Maximum @ 220 VAC, 50 Hz
Decibel level	47 db maximum
Dimensions	Height - 24 $\frac{3}{4}$ " (62.4 cm) Width - 17" (43.2 cm) Length - 14 $\frac{3}{4}$ " (37.5 cm)
Weight	48 lbs. (21.7 kg)
Oxygen outlet temperature	9°F (5°C) above ambient temperature at 220 VAC, 50 Hz
Exhaust temperature	41°F (22.7°C) above ambient temperature at 220 VAC, 50 Hz
Miscellaneous	Double insulated Valves - pneumatic Cycling - pressure activated Fuse - 2.0 Amp, 250 VAC, time delay

**DEALER DeVOIMC44
OXYGEN CONCENTRATOR
12-MONTH LIMITED WARRANTY
ON COMPONENT PARTS**

This Certificate of Warranty for the specified Model DeVOIMC44 Oxygen Concentrator becomes valid and warrants to the original purchasing dealer or original leasing dealer to be free from defects in workmanship and materials for a period of 12 months from date of receipt of equipment from The DeVilbiss Company, Health Care Division, Somerset, Pennsylvania. This warranty does not cover failures resulting from misuse, abuse, alteration of the DeVOIMC44 with improper components or failure to comply with the operating instructions. To make claim under this warranty, the original dealer must notify DeVilbiss at its plant in Somerset, Pennsylvania. The claim will be evaluated and if bona fide further instructions will be issued. DeVilbiss' obligation under this warranty is limited to the option of repairing at its plant or supplying a replacement for component part(s) of the DeVOIMC44 that is proven to be other than as herein warranted. It shall be the responsibility of the dealer to remove the defective component part(s) from the specified DeVOIMC44, pack the component part(s) in a manner to avoid intransit damage and to make shipment prepaid. This warranty does not cover the cost of labor incurred in removing or replacing the warranted component part(s) of the DeVOIMC44.

There is no other express warranty. Implied warranties, including those of merchantability and fitness for a particular purpose are limited to twelve months from purchase and to the extent permitted by law any and all implied warranties are excluded. This is the exclusive remedy, and liability for consequential and incidental damages under any and all warranties are excluded to the extent exclusion is permitted by law. Some states do not allow limitations on how long an implied warranty lasts, or the limitation or exclusion or consequential or incidental damage, so the above limitations or exclusion may not apply to you.

This warranty gives you specific legal rights and you may also have other rights which vary from state to state.