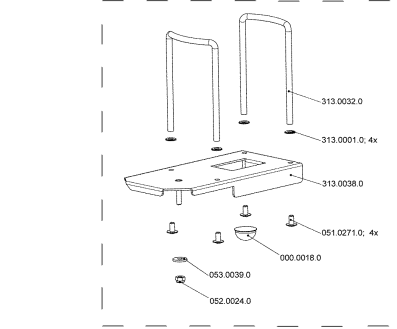
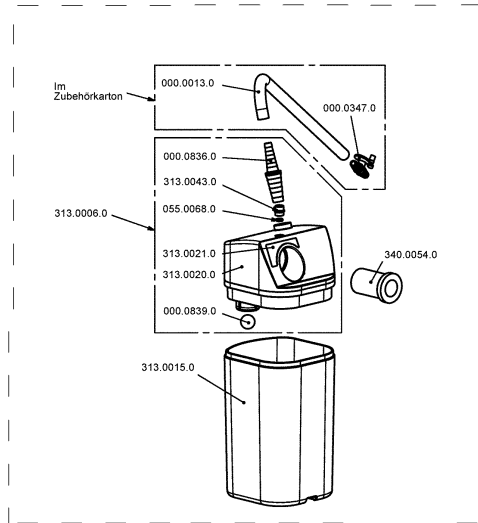
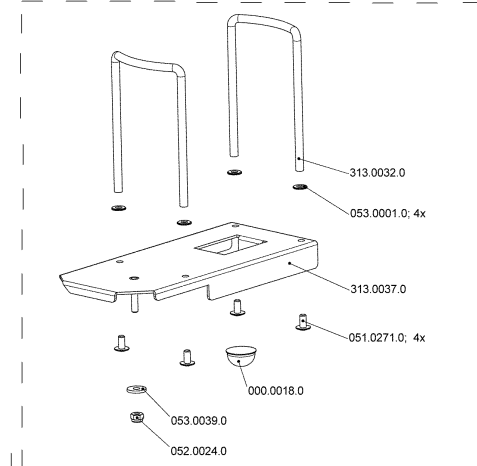


ATMOS C 161 (313.0000.0)



Receptal



Medi-Vac

