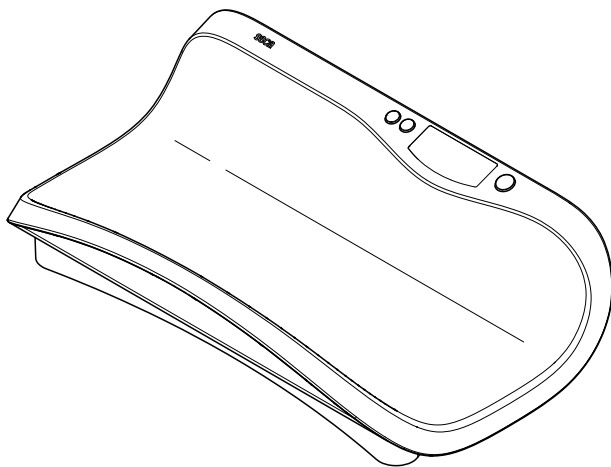


seca 376



CONTENTS

1. Full certification	34	6.2 Use additional functions	46
2. Description of device	35	Navigate in the menu	46
2.1 Congratulations!	35	Use differential function (BMIF)	47
2.2 Intended use	35	Activate Autohold function (Ahold)	48
3. Safety information	35	Activate acoustic signals (BEEP)	48
3.1 Basic safety precautions	35	Select attenuation (Fil)	49
3.2 Safety information in this manual	36	Restore factory settings (RESET)	49
3.3 Handling (rechargeable) batteries	37	7. seca 360° wireless Network	50
4. Overview	38	7.1 Introduction	50
4.1 Controls/Features	38	seca wireless groups	50
4.2 Symbols in display	39	Channels	51
4.3 Information on rating plate	39	Detection of equipment devices	51
4.4 Menu structure	41	7.2 Operate scales in a wireless group	52
5. Before you get started	42	Activate wireless module (SYS)	52
5.1 Create power supply	42	Set up wireless group (Lrn)	52
Insert batteries	42	Activate automatic transmission (ASend)	54
Connect the power supply unit (optional)	42	Select print option (APrt)	54
5.2 Set up scales	43	Set time (Time)	55
6. Operation	43	8. Cleaning	56
6.1 Weighing	43	9. What to do if ...?	56
Start weighing	44	10. Maintenance/Recalibration	58
Tare off additional weight (TARE)	44	10.1 Information about maintenance and recalibration	58
Continuous display of measured result (HOLD)	45	10.2 Check content of calibration counter	58
Transmit measured results to a radio receiver	45	11. Technical data	59
Automatic switchover of weighing range	45	12. Accessories	60
Switch off scales	46	13. Disposal	61
		13.1 Disposal of device	61
		13.2 Batteries (including rechargeables)	61
		14. Warranty	61

1. FULL CERTIFICATION

With products from seca you are not only purchasing technology developed over a century, but also quality that has been validated by official bodies, the legal system and relevant institutes. seca products comply with European directives, standards and national laws. With seca you are buying into the future.



The products in this user manual comply with the legislation governing medical devices, i.e. with directives 93/42/EEC and 2007/47/EC issued by the Council of the European Community, which is embodied throughout Europe in its national laws.



Scales bearing this symbol comply with the European directive 2009/23/EC on non-automatic weighing instruments. seca scales with this symbol comply with the stringent quality and technical requirements applicable to calibratable scales.



Scales bearing this symbol comply with the strict stringent of Class III of the directive and can be used for medical measurements which are subject to calibration.



Products bearing this symbol comply with the following directives and standards

- directive 2009/23/EC governing non-automatic weighing instruments
- directives 93/42/EEC and 2007/47/EC governing medical devices
- DIN EN 45501 governing metrological aspects of non-automatic weighing instruments.



seca's professionalism has also been officially recognised. The certificate from TÜV Product Service, the body responsible for medical devices, confirms that as a manufacturer of medical devices, seca rigorously complies with the stringent legal requirements applicable. Here seca's quality assurance system covers the development, production, distribution and service of medical scales and measuring systems.



seca contributes to environmental protection. We are anxious to preserve our natural resources. This is why we strive to save packaging material where practical. And what is left over can be conveniently disposed of locally via Germany's Dual System recycling programme.

2. DESCRIPTION OF DEVICE

2.1 Congratulations!

By purchasing the electronic **seca 376** baby scales you are now in possession of an extremely accurate device that is also robust at the same time.

seca has put its experience at the service of health care for over 170 years and as a market leader in many countries, is constantly setting new standards with its innovative developments for weighing and measurement.

2.2 Intended use

The electronic **seca 376** baby scales are mainly used in hospitals, doctors' surgeries and inpatient care facilities in accordance with national regulations. They are designed to weigh babies at birth and to also check their weight gain as they grow.

The **seca 360° wireless** network allows the measured results to be transmitted wirelessly to a seca wireless printer or a PC equipped with the **seca analytics 105** software and the **seca 360° wireless USB adapter 456**.

3. SAFETY INFORMATION

3.1 Basic safety precautions

- Please take note of the information in this user manual.
- Keep the user manual with the declaration of conformity in a safe place.
- Make sure that the scales are positioned securely on a flat and stable surface.
- Make sure you do not drop the scales. Protect the scales from violent impacts.
- When using the scales with a power supply unit, make sure you route the mains cable so that no-one can trip over it.
- Have the scales serviced and recalibrated regularly (see "Maintenance/Recalibration" on page 58).

- Make sure that maintenance and repair are only carried out by an authorised service partner. You can find your local service partner at www.seca.com or just send an e-mail to service@seca.com.
- Make sure you only use genuine seca accessories and spare parts. Otherwise the warranty provided by seca will become null and void.
- Make sure RF equipment such as mobile phones is kept at a minimum distance of approx. 1 metre to prevent incorrect measurements or interference with radio transmission.

3.2 Safety information in this manual



DANGER!

Used to identify an extremely hazardous situation. If you fail to take note of this information, serious irreversible or fatal injuries will result.



WARNING!

Used to identify an extremely hazardous situation. If you fail to take note of this information, serious irreversible or fatal injuries may result.



CAUTION!

Used to identify a hazardous situation. If you fail to take note of this information, minor to moderate injuries may result.

ATTENTION!

Used to identify possible incorrect usage of device. If you fail to take note of this information, you may damage the device or the measured results may be incorrect.

NOTE:

Includes additional information about use of the device.

3.3 Handling (rechargeable) batteries

The device is supplied with 6 batteries, type AA (Mignon). This type of battery is not rechargeable. Please take note of the following safety information.



WARNING!

Personal injury with improper handling

Batteries contain harmful substances which may explode if not handled properly.

- Do not try to recharge such batteries.
- Do not expose (rechargeable) batteries to heat.
- Do not burn (rechargeable) batteries.
- If acid is leaking out, avoid contact with the skin, eyes and mucous membranes. Rinse affected areas with plenty of clean water and seek medical help at once.

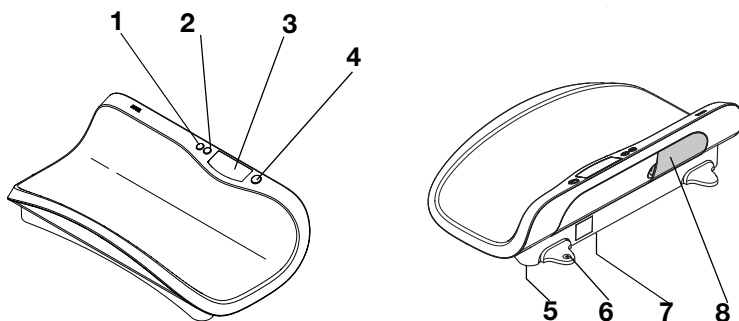
ATTENTION!




Damage to device and malfunctions with improper handling

- Only use the type of (rechargeable) battery specified (see "Insert batteries" on page 42).
- When replacing (rechargeable) batteries, always replace a complete set at a time.
- Do not short-circuit (rechargeable) batteries.
- If you do not use the device for a long period of time, remove the batteries (incl. rechargeables). This will prevent acid from leaking into the device.

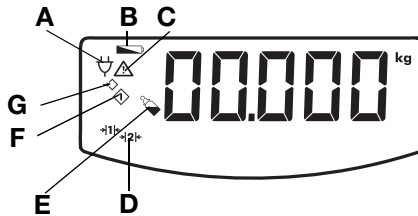
4. OVERVIEW

4.1 Controls/Features



No.	Control/Feature	Function
1		<p>Arrow key</p> <ul style="list-style-type: none"> • During weighing: <ul style="list-style-type: none"> - Press briefly: Activate Hold function - Hold down: Activate Tare function • In menu: <ul style="list-style-type: none"> - Select submenu, select menu item - Adjust value
2		<p>Enter key</p> <ul style="list-style-type: none"> • During weighing (if wireless network is set up): <ul style="list-style-type: none"> - Press briefly: Send measured result to receive-ready equipment (PC with USB wireless module) - Hold down: Print out measured result (wireless printer) • In menu: <ul style="list-style-type: none"> - Confirm menu item selected - Store set value
3	Display	Display element for measured results and for device configuration
4		<p>Start key</p> <ul style="list-style-type: none"> - To switch device off and on
5	Foot screw	4 screws, for precise alignment of device
6	Spirit level	Indicates whether device is horizontal
7	Power connection	Used to connect an optional power supply unit
8	Battery compartment	Designed to take 6 batteries, type AA (Mignon), 1.5 V





4.2 Symbols in display



	Symbol	Meaning
A		Operation with power supply unit
B		Batteries are weak
C		Non-calibratable function active
D		Weighing range currently in use: 1: More precise weight indication with reduced load-bearing capacity 2: Maximum load-bearing capacity
E		Differential value function (BMIF: Breast Milk Intake Function) active
F		Measured result in memory location 1 (BMIF function)
G		Select memory location (BMIF function)

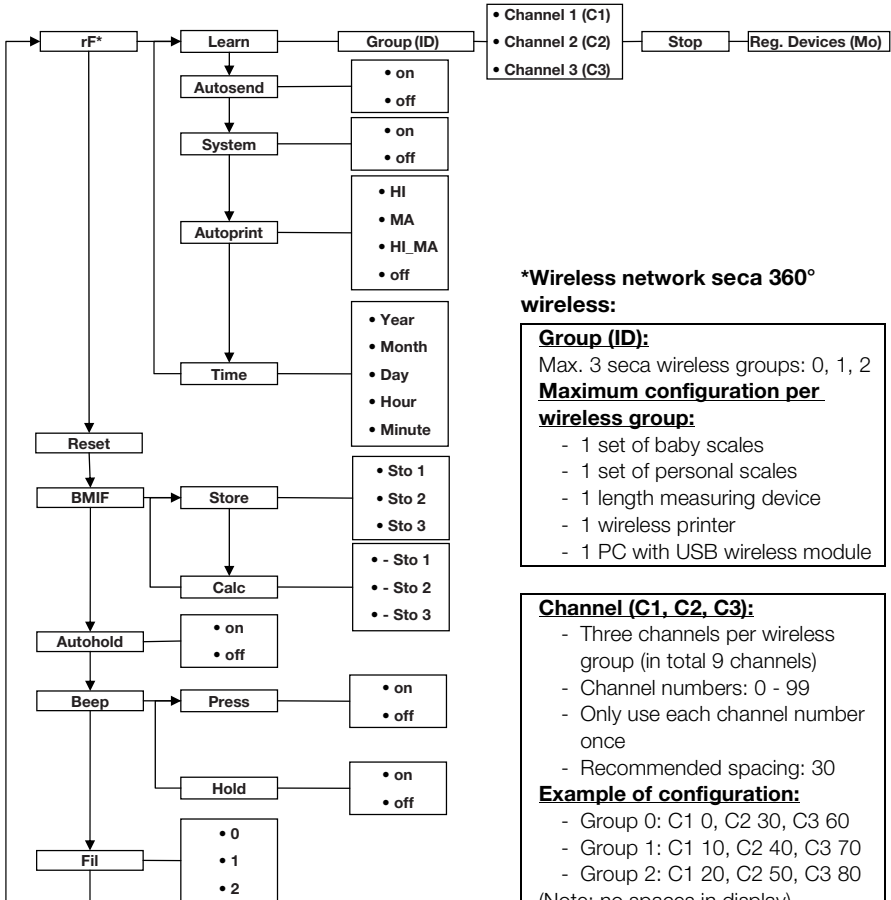
4.3 Information on rating plate

Text/Symbol	Meaning
Model	Model number
Type	Type designation
Ser. No.	Serial number
	Refer to user manual
	Type B electromedical device
	Class II totally insulated appliance
FCC ID	For USA: Device licensing number issued by US authority FCC (Federal Communications Commission)

Text/Symbol	Meaning
IC	For Canada: Device licensing number issued by authority Industry Canada
	Device complies with EC standards and directives.
	Symbol for FCC (USA)
	Only operate device with DC
	Do not discard with household waste

4.4 Menu structure

Other functions are available in the menu of the device. This enables you to configure the device perfectly to suit the conditions in which you use it (details from page 46).



***Wireless network seca 360° wireless:**

Group (ID):
 Max. 3 seca wireless groups: 0, 1, 2
Maximum configuration per wireless group:

- 1 set of baby scales
- 1 set of personal scales
- 1 length measuring device
- 1 wireless printer
- 1 PC with USB wireless module

Channel (C1, C2, C3):

- Three channels per wireless group (in total 9 channels)
- Channel numbers: 0 - 99
- Only use each channel number once
- Recommended spacing: 30

Example of configuration:

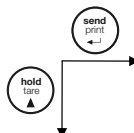
- Group 0: C1 0, C2 30, C3 60
- Group 1: C1 10, C2 40, C3 70
- Group 2: C1 20, C2 50, C3 80

(Note: no spaces in display)

Devices detected (Mo):

- 1: Personal scales
- 2: Length measuring device
- 3: Wireless printer
- 4: PC with USB wireless module
- 7: Baby scales

Navigation:



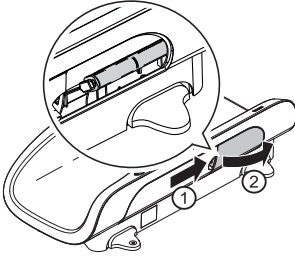
Call up menu:



5. BEFORE YOU GET STARTED ...

5.1 Create power supply

Insert batteries



You need 6 batteries, type AA (Mignon), 1.5 V (included in scope of supply).

1. Press on latch of battery compartment.
2. Remove lid of battery compartment.
3. Remove battery holder.
4. Insert batteries in holder.

NOTE:

Observe correct polarity of batteries (markings on battery holder). Should the display read **bAtE**, you have inserted one of the batteries incorrectly or they are flat.

5. Replace the holder with the batteries in the battery compartment.
6. Close the battery compartment.

Connect the power supply unit (optional)

The scales can be operated with a power supply unit available as an accessory.

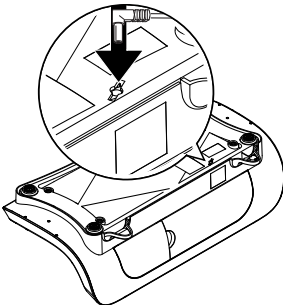


WARNING!

Personal injury and damage to device if incorrect power supply unit is used

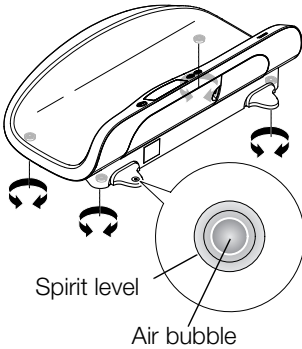
The voltage provided by standard power supply units may be higher than their indicated rating. This may cause the scales to overheat, catch fire, melt or short-circuit.

- Only use genuine seca plug-in power supply units with 9V or a controlled 12 V output voltage.



1. Insert the power plug necessary for your power supply in the power supply unit.
2. Insert the connector plug of the power supply unit in the connecting socket of the scales.
3. Plug the power supply unit into a mains socket.

5.2 Set up scales



The scales are fully assembled on delivery.

ATTENTION!

Incorrect measurement with force shunt

If the housing of the scales is resting on something, e.g. a towel, the weight measurement will not be correct.

- When setting up the scales, ensure that they only make contact with the ground via the foot screws.

1. Place the scales on a flat, stable surface.

ATTENTION!

Incorrect measurement without proper alignment

The spirit level is very delicate. Any additional weights such as towels will result in improper alignment of the scales.

- Only align the device without a load.

2. Align the scales by turning the foot screws.

The air bubble in the spirit level must be centred in the circle.

6. OPERATION

6.1 Weighing



WARNING!

Serious injury to baby following a fall

Baby scales generally stand on raised work surfaces. If the baby falls from this surface, this may result in serious irreversible or fatal injuries.

- Never leave a baby unsupervised on the scales.

Start weighing



1. Check that there is no load on the scales.
2. Press the Start key.
The display will read **SECA** and then quickly run through all elements of the display.
The scales are ready for operation when the display reads **0.000**.
If the device is being operated with a power supply unit, the symbol ψ will appear in the display.
3. Place the baby on the scales.
4. Read off the measured result.

Tare off additional weight (TARE)

You can use the TARE function to prevent the weighing result from being affected by an additional weight (e.g. a towel or pad on the weighing surface).

ATTENTION!

Incorrect measurement with force shunt

If an additional weight (e.g. large towel) is in contact with the surface on which the scales are standing, the weight will not be measured correctly.

- Make sure that any additional weight is only placed on the weighing surface of the scales.



1. Place the additional weight on the scales.
2. Hold down the arrow key (**hold/tare**) until "NET" appears in the display.
3. Wait until the display stops flashing and is replaced by **0.000**.
4. Place the baby on the scales.
5. Read off the measured result.
The additional weight has been automatically deducted.
6. To disable the TARE function, press the arrow key (**hold/tare**) until "NET" no longer appears in the display or switch off the scales.

NOTE:

The maximum weight that can be displayed is reduced by the weight of the objects already placed on the scales.

Continuous display of measured result (HOLD)



If you activate the HOLD function, the weighing value will continue to be displayed after the baby has been removed. This allows you to attend to the child before noting down the weight.

1. Place the baby on the scales.
2. Briefly press the arrow key (**hold/tare**).

The display will flash until a stable weight is measured. The weighing value will then be displayed continuously. The \triangle symbol (non-calibratable function) and the message "HOLD" will be displayed.

3. To disable the HOLD function, briefly press the arrow key (**hold/tare**).

The \triangle symbol and the message "HOLD" will no longer be displayed.

NOTE:

If the Autohold function is activated, continuous display of the weighing value will take place automatically. see "Activate Autohold function (Ahold)" on page 48.

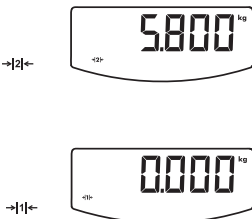
Transmit measured results to a radio receiver



If the scales are integrated in a **seca 360° wireless** network, you can transmit the measured results to receive-ready equipment (wireless printer, PC with wireless USB module) at the touch of a button.

- ◆ Press the Enter key (**send/print**).
 - Press key briefly: Send measured results to all receive-ready equipment
 - Hold down: Print out measured result using wireless printer

Automatic switchover of weighing range



The scales are equipped with two weighing ranges. Weighing range 1 ($\rightarrow 1 \leftarrow$) offers a more precise weight indication with a reduced load-bearing capacity. Weighing range 2 ($\rightarrow 2 \leftarrow$) allows you to take advantage of the maximum load-bearing capacity of the scales.

When the scales are switched on, weighing range 1 is activated. If a specific weighing value is exceeded, the scales will automatically switch to weighing range 2.

To switch back to weighing range 1 proceed as follows:

- ◆ Remove all loads on the scales.
Weighing range 1 is activated again.

Switch off scales

- ◆ Press the Start key.

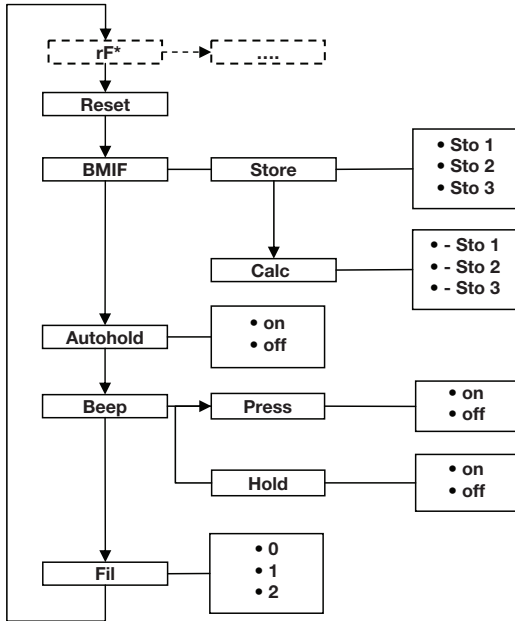


NOTE:

When in battery mode, the scales will switch off automatically after a short period if no load is placed on them.

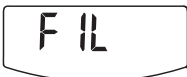
6.2 Use additional functions

Additional functions are available in the menu for the scales. This allows you to configure the scales perfectly to your own needs.

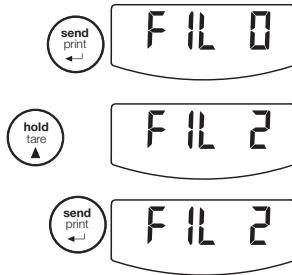


* The menu item "rF" is described in section "Operate scales in a wireless group" on page 52.

Navigate in the menu



1. Switch on the scales.
2. Hold down the Enter key and the arrow key simultaneously.
The last menu item selected is shown in the display (here: Autohold "Ahold").
3. Keep pressing the arrow key until the required menu item appears in the display (here: attenuation "Fil").



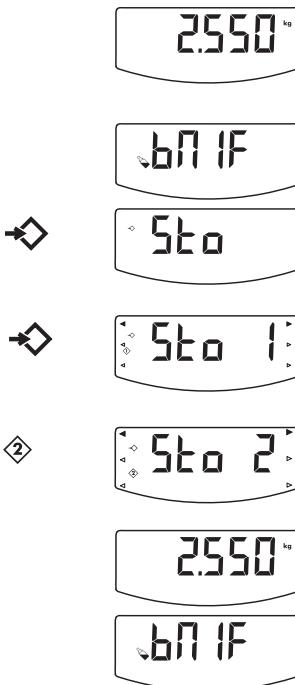
4. Confirm your selection with the Enter key.
The current selection for the menu item or a sub-menu is displayed (here level "0").
5. To change your selection or call up another sub-menu, keep pressing the arrow key until the required selection is displayed (here: level "2").
6. Confirm the selection with the Enter key.
You will leave the menu automatically.
7. To make further selections, call up the menu again and proceed as described above.

NOTE:

If no key is pressed for approx. 24 seconds, you will leave the menu automatically.

Use differential function (BMIF)

You can use the BMIF function (BMIF: Breast Milk Intake Function) to determine the quantity of food consumed by a baby during a meal. To do to, save the current weight. After the meal call up the stored weight again and reweigh the baby. The scales will calculate the difference, i.e. the quantity of food consumed.



1. Switch on the scales.
2. Place the baby on the scales before the meal.
The current weight is displayed.
3. Select the item BMIF in the menu.
The "Differential value function" symbol appears.
4. Confirm the selection.
5. Select the menu item **Sto**.
The "Select memory location" symbol appears.
6. Confirm the selection.
Sto 1 appears in the display.
The "Select memory location" symbol appears.
Arrows can be seen flashing in the display.
7. Select one of three memory locations (here: 2).
8. Confirm your selection.
The current weighing value is stored.
9. After the meal place the baby on the scales again.
10. Select the item BMIF (Breast Milk Intake Function) in the menu.
11. Confirm the selection.



2



2



12. Select the menu item **CALC**.
13. Confirm the selection.
14. Select the memory location where you stored the baby's initial weight (here: 2).
Arrows can be seen flashing in the display.
15. Confirm your selection.
The weight difference, i.e. the quantity of food consumed, is displayed.
16. To disable this function, select the item BMIF in the menu again.
17. Confirm your selection.
The function is disabled.
You will leave the menu automatically.

Activate Autohold function (Ahold)

If you activate the Autohold function, the measured result for each weighing operation will continue to be displayed after the baby has been removed. This means you no longer have to manually activate the Hold function for every weighing operation.

NOTE:

With certain models this function is already activated at the factory. If required, you can disable this function.



1. Select the item "Ahold" in the menu.
2. Confirm the selection.
The current selection is displayed.
3. Select the setting you require:
 - On
 - Off
4. Confirm your selection.
You will leave the menu automatically.

Activate acoustic signals (BEEP)

You can select whether an acoustic signal is to be emitted whenever a key is pressed or a stable weighing value has been attained. The latter is relevant for the Hold/Autohold function.

NOTE:

The function "Acoustic signal with stable weighing value" is activated at the factory. If required, you can disable this function.



1. Select the item "BEEP" in the menu.
2. Confirm the selection.




3. Select a menu item:
 - Press: Acoustic signal whenever a key is pressed
 - Hold: Acoustic signal with a stable weighing value.
4. Confirm your selection.
The current selection is displayed.
5. Select the setting you require:
 - On
 - Off
6. Confirm your selection.
You will leave the menu automatically.
7. If you also wish to activate the acoustic signal for the second function, repeat this procedure.

Select attenuation (Fil)





You can use attenuation (Fil = filter) to reduce any interference during weighing (e.g. caused by patient moving).

1. Select the item "Fil" in the menu.
2. Confirm the selection.
The current selection is displayed.
3. Select an attenuation level.
 - 0: low attenuation
 - 1: moderate attenuation
 - 2: high attenuation
4. Confirm the selection.
You will leave the menu automatically.

Restore factory settings (RESET)

You can restore the factory settings for the following functions:

Function	Factory setting
Autohold (Ahold)	depending on model
Acoustic signal (Press)	off
Acoustic signal (Hold)	on
Attenuation (Fil)	0
Stored value Breast Milk Intake Function (BMIF)	0 kg
Wireless module (SYS)	off
Autosend (Asend)	off
Autoprint (APrt)	off



NOTE:

The wireless module is switched off when restoring the factory settings. Data for existing wireless groups remains in the memory. These groups do not need to be set up again.

1. Select the item "Reset" in the menu.
2. Confirm the selection.
You will leave the menu automatically.
3. Switch the scales off.
The factory settings are restored and will be available when the scales are next switched on.

7. SECA 360° WIRELESS NETWORK

7.1 Introduction

This device is equipped with a wireless module. The wireless module allows measured results to be transmitted wirelessly for analysis and documentation. Data can be transmitted to the following equipment devices:

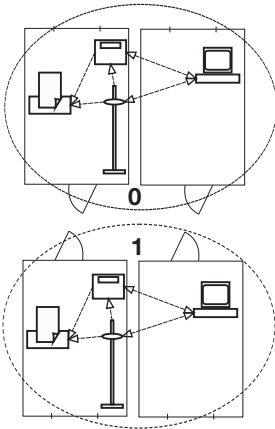
- seca wireless printer
- PC with seca USB wireless module

seca wireless groups

The **seca 360° wireless** network operates with wireless groups. A wireless group is a virtual group of transmitters and receivers. If you wish to operate several transmitters and receivers of the same type, up to 3 wireless groups (0, 1, 2) can be set up with this device.

The set-up of several wireless groups ensures the reliable transmission of measured values with the correct address when using more than one examination room each with similar equipment.

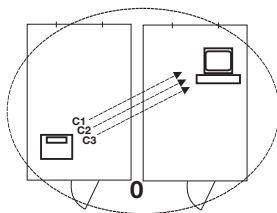
The maximum distance between transmitters and receivers is approx. 10 metres. This range may be reduced under certain local conditions, e.g. thickness and type of wall partitions.



The following combination of devices is possible per wireless group:

- 1 set of baby scales
- 1 set of personal scales
- 1 length measuring device
- 1 seca wireless printer
- 1 PC with seca USB wireless module

Channels



The devices communicate with each other within each wireless group via three channels (C1, C2, C3). This ensures reliable, troublefree data transmission.

When you set up a wireless group with the scales, the device will suggest three channels guaranteeing optimum data transmission. We recommend accepting the channel numbers suggested.

You can also select the channel numbers (0 - 99) manually, for example if you want to set up more than one wireless group.

The channels must be sufficiently far apart to ensure troublefree data transmission. We recommend a spacing of at least 30. Each channel number may only be used for one channel.

Example of configuration; channel numbers when setting up 3 wireless groups within one surgery:

- Wireless group 0: C1=_0, C2= 30, C3=60
- Wireless group 1: C1=10, C2=40, C3=70
- Wireless group 2: C1=20, C2=50, C3=80

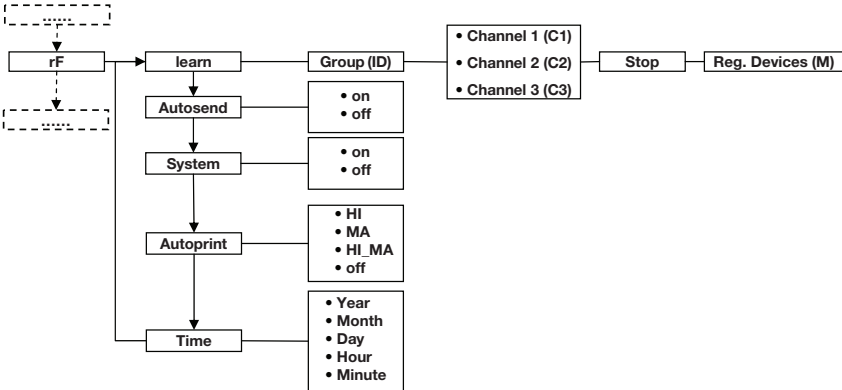
Detection of equipment devices

If you wish to set up a wireless group with the scales, they will search for other active devices from the **seca 360° wireless** system. The devices detected are shown as modules in the display on the scales (e.g. MO 3). The meaning of the numbers is as follows:

- 1: Personal scales
- 2: Length measuring device
- 3: Wireless printer
- 4: PC with seca USB wireless module
- 7: Baby scales
- 5, 6 and 8-12: Reserved for system expansion

7.2 Operate scales in a wireless group

All functions required to operate the device in a seca wireless group can be found in the submenu "rF". For information how to navigate in the menu see page 46.

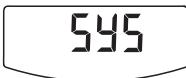


Activate wireless module (SYS)

The device is supplied with the wireless module disabled. It has to be activated before you can set up a wireless group.

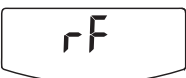
NOTE:

When the wireless module is activated, the power consumption of the device will increase. We recommend using a power supply unit when operating the device in a wireless network.



1. Switch the device on.
2. Select the menu item "SYS" in the "rf" submenu.
3. Confirm the selection.
4. Select "on".
5. Confirm the selection.
You will leave the menu automatically.

Set up wireless group (Lrn)



- To set up a wireless group proceed as follows:
1. Switch the device on.
 2. Call up the menu.
 3. Select the item "rF" in the menu.
 4. Confirm the selection.



5. Select the menu item "Lrn" (learn) in the "rf" sub-menu.
6. Confirm the selection.
The wireless group currently selected (here: wireless group 0 "ID 0") is displayed.
If the wireless group "0" already exists and you wish to set up another wireless group with this device, use the arrow key to select another ID (here: wireless group 1 "ID 1").
7. Confirm your selection for the wireless group.
The device will suggest a channel number for channel 1 (here C1 "0").
You can either accept the channel number suggested or select another channel number using the arrow key.
8. Confirm your selection for channel 1.
The device will suggest a channel number for channel 2 (here C2 "30").
You can either accept the channel number suggested or select another channel number using the arrow key.

NOTE:

Two-digit channel numbers are displayed without a space. The display "C230" means: channel "2", channel number "30".

9. Confirm your selection for channel 2.
The device will suggest a channel number for channel 3 (here C3 "60").
You can either accept the channel number suggested or select another channel number using the arrow key.
10. Confirm your selection for channel 3.
The message **STOP** appears in the display.
The device is waiting for signals from other equipment devices with radio transmission capability within its range.

NOTE:

With certain devices a special switch-on procedure has to be followed if they are to be integrated in a wireless group. Consult the user manual for each device.

11. Switch on the equipment device you wish to integrate in the wireless group, e.g. wireless printer. A beep will be heard when the wireless printer is detected.

NOTE:

As soon as you have integrated a wireless printer in the wireless group, you have to select a print option (menu\rf\APrt) and set the time (menu\rf\time).

12. Repeat step 11. for all equipment devices you wish to integrate in the wireless group.
13. Press the Enter key to end the search.
14. Press the arrow key to see which devices have been detected (here: Mo 3 for a wireless printer). Once you have integrated several devices in the wireless group, press the arrow key several times to check that all equipment has been detected by the scales.
15. Press the Enter key to leave the menu or wait until you leave the menu automatically.



Activate automatic transmission (ASend)

You can configure the device so that the measured results are automatically transmitted to all receivers that are ready to receive and logged into the same wireless group (e.g.: wireless printer, PC with USB wireless module).

NOTE:

If you are using a wireless printer, ensure that "off" is not set as a print option (see "Select print option (APrt)" on page 54).

1. Switch the device on.
2. Select the menu item "ASend" in the "rf" submenu and confirm your selection.
3. Select "on" and confirm your selection. You will leave the menu automatically.



Select print option (APrt)

You can configure the device so that measured results are automatically printed out by a wireless printer logged into the wireless group.

NOTE:

This function is only available if the "learn" function has been used to integrate a seca wireless printer in the wireless group.



1. Switch the device on.
2. Select the menu item "APrT" in the "r" submenu and confirm your selection.
3. Make the appropriate selection for your combination of devices:
 - HI: Measured results from length measuring devices (not functional with this model)
 - MA: Measured results from scales
 - HI_MA: Measured results from length measuring devices and scales (not functional with this model)
 - off: No automatic printout, printout only if Enter key is held down during weighing.
4. Confirm your selection.
You will leave the menu automatically.

Set time (Time)

You can configure the system so that the wireless printer automatically adds the date and time to the measured results. To do so, you have to set the date and time once on the device and transmit this to the wireless printer's internal clock.

NOTE:

This function is only available if the "learn" function has been used to integrate a seca wireless printer in the wireless group.



1. Switch the device on.
2. Select the menu item "Time" in the "r" submenu.
3. Confirm the selection.
The current selection for the year (Year) is displayed.
4. Select the correct year.
5. Confirm the selection.
6. Repeat steps 3. and 4. as appropriate for the month (**Mon**), day (**dAY**), hour (**hour**) and minute (**Min**).
7. Confirm your selection each time.
After confirming your selection for Minute you will leave the menu automatically.
These selections will be automatically transmitted to the wireless printer.
The wireless printer automatically adds the date and time to every printout.


NOTE:

For further operation of the wireless printer see its user manual.

8. CLEANING

To clean the tray and housing of the scales use a household detergent or standard disinfectant as required. Take note of the instructions provided by the manufacturer.

9. WHAT TO DO IF ...?

Malfunction	Cause/Remedy
... no weight is displayed during weighing?	The scales are not connected to the power supply <ul style="list-style-type: none"> - Check the scales are switched on - Check batteries are inserted
... 0.0000 does not appear before weighing?	A load was placed on the scales before being switched on. <ul style="list-style-type: none"> - Remove load on scales - Switch scales off and back on again
... a segment lights up continuously or not at all?	There is a fault at that point. <ul style="list-style-type: none"> - Notify maintenance service.
...  is displayed?	Battery voltage is falling off. <ul style="list-style-type: none"> - Insert new batteries as soon as possible
... bAtt is displayed?	Batteries are flat. <ul style="list-style-type: none"> - Insert new batteries
... StOP is displayed?	The maximum load has been exceeded. <ul style="list-style-type: none"> - Reduce load
... tErP is displayed?	The ambient temperature of the scales is too high or too low. <ul style="list-style-type: none"> - Set up scales in an ambient temperature between +10 °C and +40 °C - Wait approx. 15 minutes until scales have adjusted to ambient temperature

Malfunction	Cause/Remedy
<p>... if after switch-on, measured results are transmitted for the first time and two acoustic signals are heard?</p>	<ul style="list-style-type: none"> • The device was unable to send measured results to the radio receiver (seca wireless printer or PC with seca USB wireless module). <ul style="list-style-type: none"> - Check that the scales are integrated in the wireless network. - Check that the receiver is switched on. • Nearby RF equipment (e.g. mobile phones) are interfering with reception. <ul style="list-style-type: none"> - Make sure that RF equipment is kept at least 1 metre away from transmitters and receivers in the seca wireless network. <p>NOTE: If such interference is not eliminated, no further acoustic warning will be given with subsequent attempts at transmission.</p>
<p>... only the item "SYS" is visible in the rf menu?</p>	<ul style="list-style-type: none"> • The wireless module is disabled. <ul style="list-style-type: none"> - Activate wireless module (see "Activate wireless module (SYS)" on page 52).
<p>... only the items "SYS" and "lrn" are visible in the rf menu?</p>	<ul style="list-style-type: none"> • The wireless module is activated but no wireless group set up. <ul style="list-style-type: none"> - Set up wireless group (see "Set up wireless group (Lrn)" on page 52).
<p>... the items "APrt" and "Time" are not visible in the rf menu?</p>	<ul style="list-style-type: none"> • No wireless printer is logged into the wireless group. <ul style="list-style-type: none"> - Use menu item "lrn" to log the wireless printer into the wireless group (see "Set up wireless group (Lrn)" on page 52).
<p>... Er:H: 11 is displayed?</p>	<p>The scales are too high, or too great a load is applied at one point.</p> <ul style="list-style-type: none"> - Reduce load on scales or distribute weight more evenly - Restart scales
<p>... Er:H: 12 is displayed?</p>	<p>The scales have been switched on with too great a load.</p> <ul style="list-style-type: none"> - Reduce load on scales - Restart scales
<p>... Er:H: 15 is displayed?</p>	<p>Oscillation of the scales has occurred, preventing determination of the zero point.</p> <ul style="list-style-type: none"> - Do not touch the trolley or table supporting the scales - Restart scales

Malfunction	Cause/Remedy
... when the Enter key (send/print) is pressed and Er:H:71 is displayed?	Data transmission not possible, wireless module is disabled. - Activate wireless module (see "Activate wireless module (SYS)" on page 52).
... when the Enter key (send/print) is pressed and Er:H:72 is displayed?	Data transmission not possible, no wireless group set up. - Set up wireless group (see "Set up wireless group (Lrn)" on page 52).

10. MAINTENANCE/RECALIBRATION

10.1 Information about maintenance and recalibration

We recommend having maintenance performed prior to recalibration of the scales.

ATTENTION!

Incorrect measurement due to improper maintenance

- Make sure that maintenance and repair are only carried out by an authorised service partner.
- You can find your local service partner at www.seca.com or just send an e-mail to service@seca.com.

Ensure that recalibration is carried out by authorised persons in accordance with the national legal requirements. The year in which initial calibration was performed can be found behind the CE mark on the rating plate above the number of the notified body 0109 (Hesse Weights & Measures Office).

Recalibration is required in all cases if one or more calibration seals have been damaged or the content of the calibration counter does not match the number on the valid calibration counter sticker.

10.2 Check content of calibration counter

These seca scales have been calibrated. Calibration may only be performed by authorised bodies. To ensure this, the scales are equipped with a calibration counter which registers every change in data relevant to calibration.

If you wish to check that the scales are properly calibrated, proceed as follows:



1. Switch the scales off if necessary.
2. Hold down any key and start up the scales.



The current content of the calibration counter will flash in the display for a few seconds.

3. Compare the output content of the calibration counter with the figure on the calibration counter sticker.

The two figures must match for calibration to be valid. If the sticker and calibration counter do not match, recalibration is necessary. Contact your service partner or the seca customer service department. Should recalibration be necessary, the seca calibration counter sticker shown above will be replaced by the adjacent recalibration sticker to identify the calibration counter reading. This sticker will be secured with an additional seal by a person authorised to perform recalibration. The recalibration sticker is available from the seca customer service department under the number 14-05-01-886.

11. TECHNICAL DATA

Technical data for seca 376	
Dimensions <ul style="list-style-type: none"> • Depth • Width • Height 	358 mm 620 mm 190 mm
Weight	3.5 kg
Temperature range	+10° C to +40°C
Height of figures	21 mm
Power supply	Battery Power supply unit (optional)
Power consumption <ul style="list-style-type: none"> • with wireless module disabled • with wireless module activated 	approx. 32 mA approx. 50 mA
Maximum runtime in battery mode <ul style="list-style-type: none"> • with wireless module disabled • with wireless module activated 	approx. 5,600 minutes Power supply unit recommended

Technical data for seca 376	
EN 60 601-1: • Class II totally insulated appliance: • Type B electromedical device:	 
Medical device according to directives 93/42/EEC and 2007/47/EC	Class I with measuring function
Calibration according to directive 2009/23/EC	Class III
Maximum load • Weighing range 1 • Weighing range 2	7.5 kg 20 kg
Minimum load • Weighing range 1 • Weighing range 2	0.1 kg 0.2 kg
Graduations • Weighing range 1 • Weighing range 2	5 g 10 g
Tare range	max. 20 kg
Accuracy following initial calibration • Weighing range 1.0 to 2.5 kg • Weighing range 1, 2.5 kg to 7.5 kg • Weighing range 2, 0 kg to 5 kg • Weighing range 2, 5 kg to 20 kg	±2.5 g ±5 g ±5 g ±10 g
Radio transmission • Frequency band • Transmission power • Observed standards	2.433 MHz - 2.480 MHz < 10 mW EN 30028, EN 301 489-1, -17

12. ACCESSORIES

Accessory	Article number
seca wireless network seca 360° wireless: • Wireless printer - seca 360° wireless printer 465 - seca 360° wireless printer Advanced 466 • PC software - seca analytics 105 • USB wireless module seca 360° wireless USB adapter 456	 country-specific variants country-specific variants application-specific licence packages 456-00-00-009

Accessory	Article number
Power supply: <ul style="list-style-type: none"> • Plug-in power supply unit, Euro: 230V~ / 50Hz / 12V= / 150mA • Switch-mode power supply unit: 100-240V~ / 50-60Hz / 12V= / 0.5A 	68-32-10-252 68-32-10-265
Additional accessories <ul style="list-style-type: none"> • Head and foot rest • Length measuring device seca 233 	418-00-00-009 country-specific variants

13. DISPOSAL

13.1 Disposal of device



Do not discard with household waste. The device must be disposed of properly as electronic waste. Comply with the national provisions applicable in your country. For further information contact our service department at:

service@seca.com

13.2 Batteries (including rechargeables)



Spent (rechargeable) batteries should not be discarded with household waste, regardless of whether they contain harmful substances or not. As a consumer you are obliged by law to dispose of (rechargeable) batteries via the collection points set up by the municipal authorities or the retail sector. Only discard (rechargeable) batteries when fully discharged.

14. WARRANTY

We offer a two-year warranty from the date of delivery for defects attributable to faulty material or poor workmanship. This excludes all moveable parts such as (rechargeable) batteries, cables, power supply units, etc. Defects which are covered by the warranty shall be rectified free of charge for customers on production of the sales receipt. No further claims can be accepted. The costs of shipment in both directions shall be borne by the customer where the device is not located at the customer's premises. In the event of any damage during shipment warranty claims can only be asserted

where the complete original packaging was used for shipment and the scales were secured inside in the same manner as in the original packaging. You should therefore keep all packaging.

The warranty shall become null and void where the device is opened by persons not expressly authorised to do so by seca.

We ask customers based abroad to contact their local sales agent direct in the case of warranty claims.