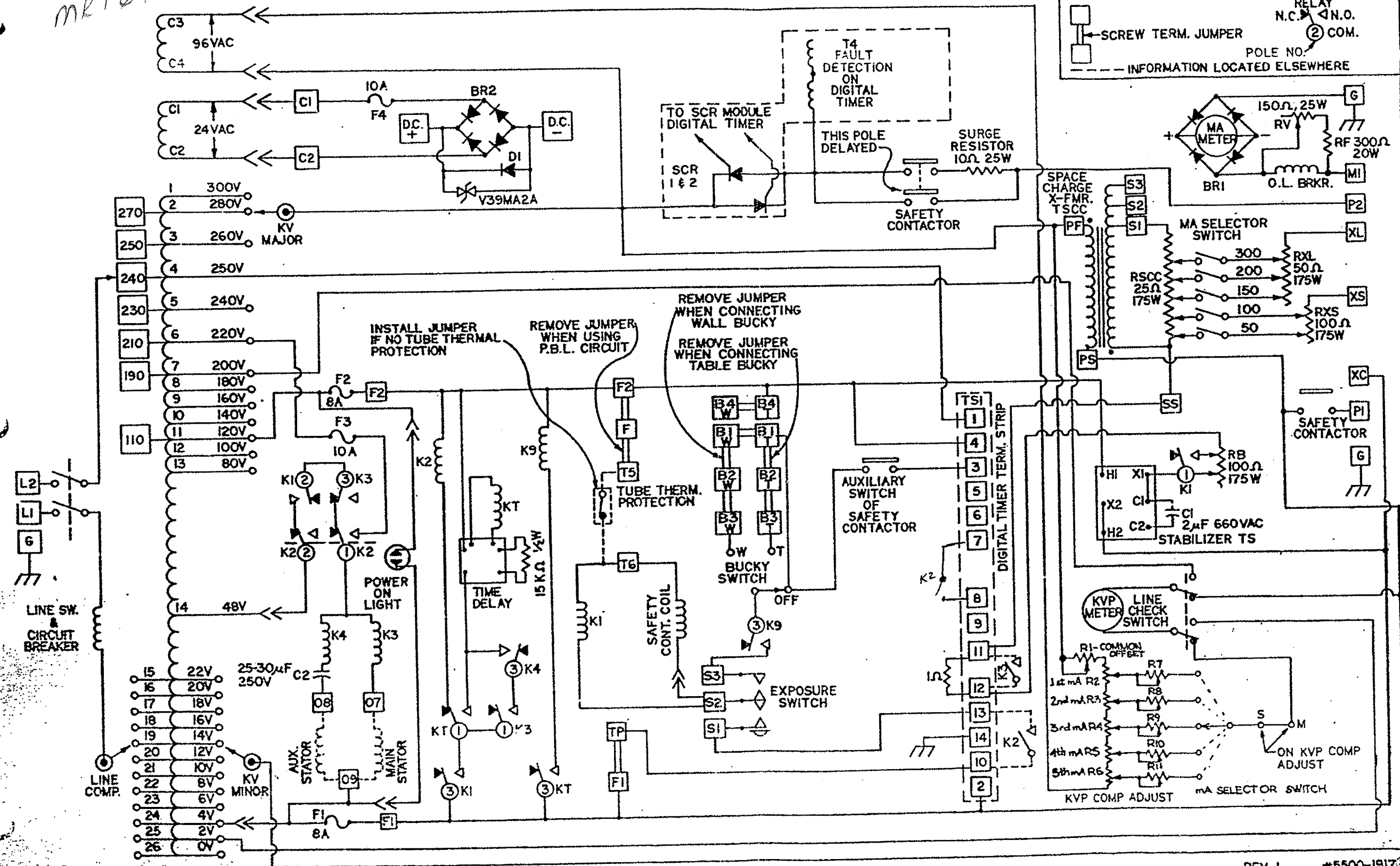


3487
MR1649-0691

CONTROL CIRCUIT DIAGRAM
MODEL NO. 3487

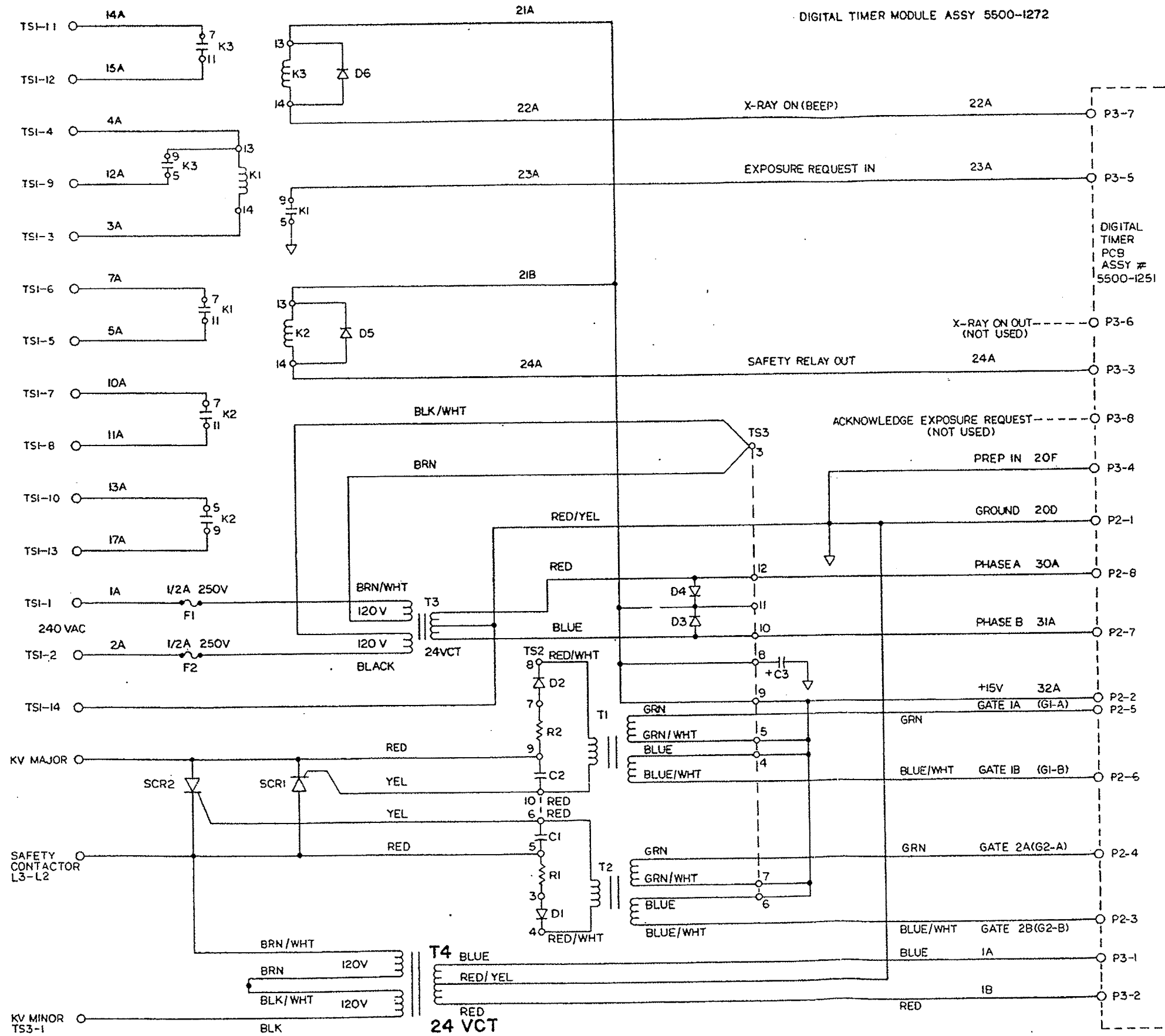
LEGEND

- COM. ON.O. SWITCH
- N.C. SWITCH
- SCREW TERMINAL
- SPLICE CONNECTOR
- SCREW TERM. JUMPER
- INFORMATION LOCATED ELSEWHERE
- NEON LIGHT
- EARTH GROUND
- RELAY
- N.C. ① N.O. ② COM.
- POLE NO.



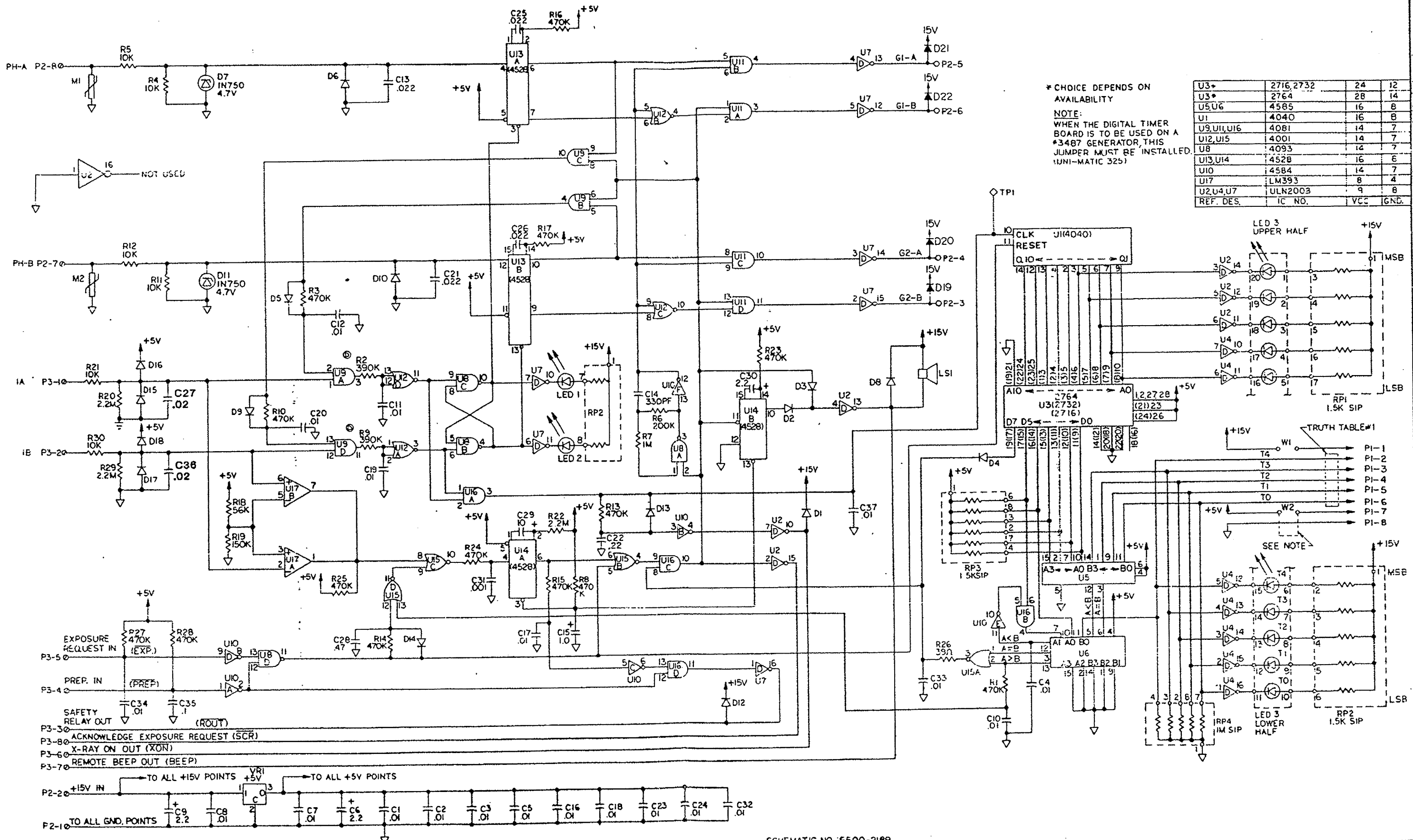
DIGITAL TIMER MODULE SCHEMATIC

DIGITAL TIMER MODULE ASSY 5500-1272



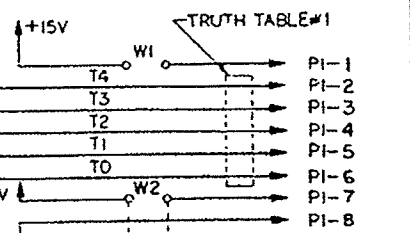
SCHEMATIC NO. 5500-2221

DIGITAL TIMER SCHEMATIC

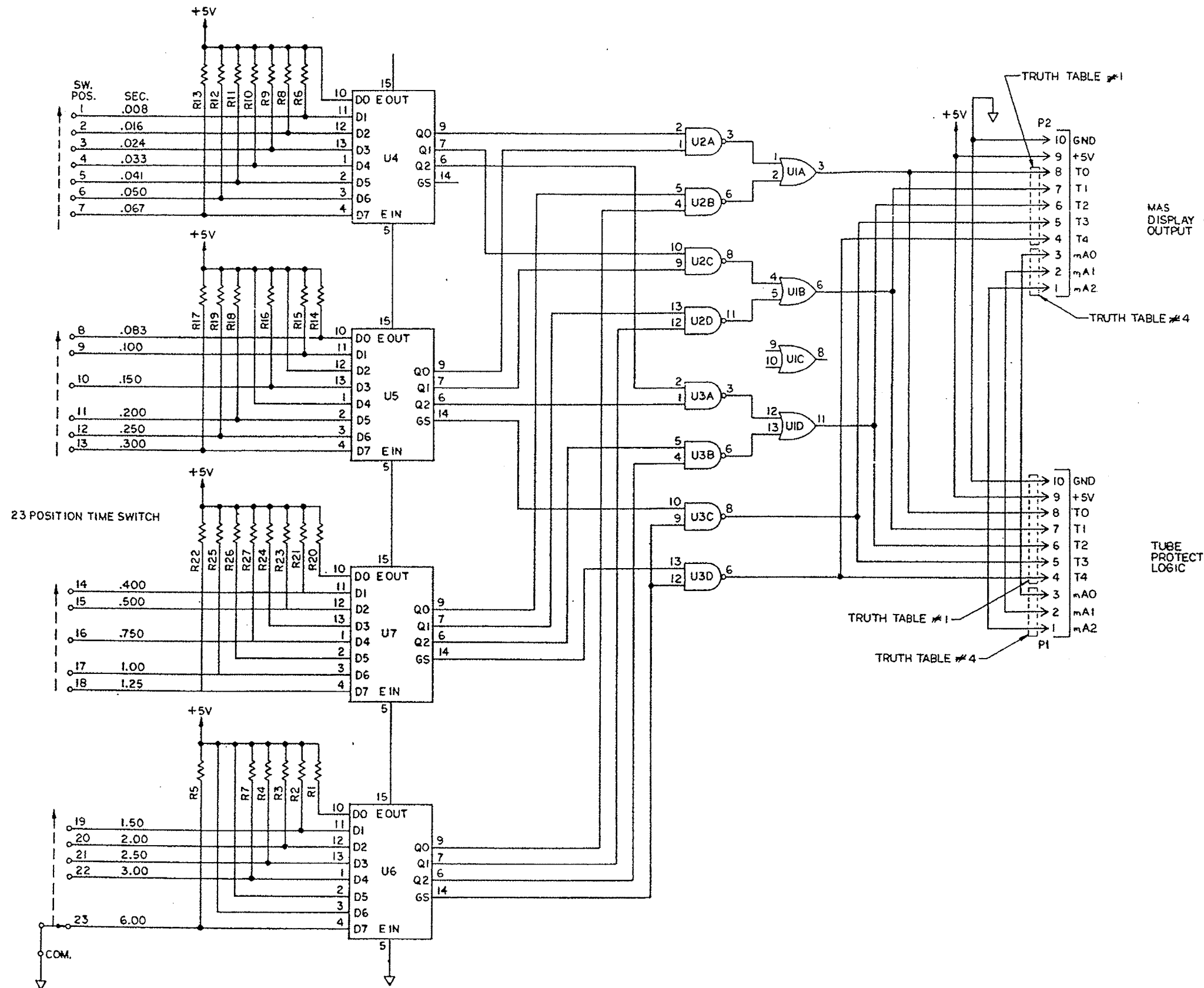


* CHOICE DEPENDS ON AVAILABILITY
 NOTE:
 WHEN THE DIGITAL TIMER BOARD IS TO BE USED ON A #3487 GENERATOR, THIS JUMPER MUST BE INSTALLED. (UNI-MATIC 325)

IC NO.	IC NO.	VCC	IGND.
U3*	2716, 2732	24	12
U3*	2764	28	14
U5, U6	4585	16	8
U1	4040	16	8
U9, U11, U16	4081	14	7
U12, U15	4001	14	7
U8	4093	14	7
U13, U14	4528	16	8
U10	4584	14	7
U17	LM393	8	4
U2, U4, U7	ULN2003	9	8
REF. DES.	IC NO.	VCC	IGND.



TIME ENCODER PCB SCHEMATIC



TRUTH TABLE #4

SELECTED mA	mA2	mA1	mA0
25	0	0	1
50	0	1	0
100	0	1	1
150	1	0	0
200	1	0	1
300	1	1	0
600	1	1	1

* REFER TO PARTICULAR GENERATOR FOR APPLICABLE SELECTED mA VALUES.

U4, U5, U6, U7	74LS148	16	8
U2, U3	7400	14	7
U1	7432	14	7
REF. DES.	IC NO.	VCC	GND.

TRUTH TABLE #1

SW. POS.	SEC.	T4	T3	T2	T1	T0
1	.008	0	0	0	0	1
2	.016	0	0	0	1	0
3	.024	0	0	0	1	1
4	.033	0	0	1	0	0
5	.041	0	0	1	0	1
6	.050	0	0	1	1	0
7	.067	0	0	1	1	1
8	.083	0	1	0	0	0
9	.100	0	1	0	0	1
10	.150	0	1	0	1	1
11	.200	0	1	1	0	1
12	.250	0	1	1	1	0
13	.300	0	1	1	1	1
14	.400	1	0	0	0	1
15	.500	1	0	0	1	0
16	.750	1	0	1	0	0
17	1.000	1	0	1	1	0
18	1.250	1	0	1	1	1
19	1.500	1	1	0	0	1
20	2.000	1	1	0	1	0
21	2.500	1	1	0	1	1
22	3.000	1	1	1	0	0
23	6.000	1	1	1	1	1

NOTE:
 T0 = LSB
 T4 = MSB
 1 = +5V
 0 = +0V
 SCHEMATIC NO. 5500-0642