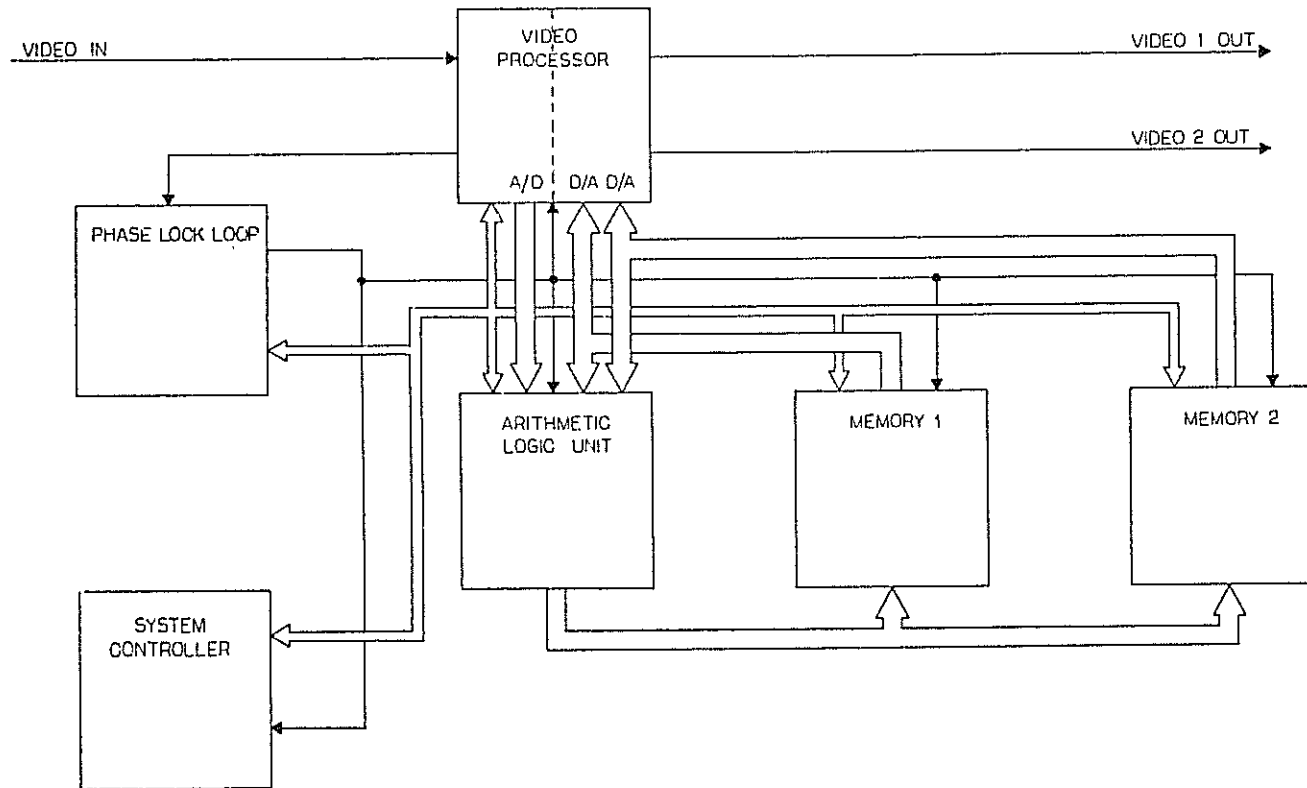
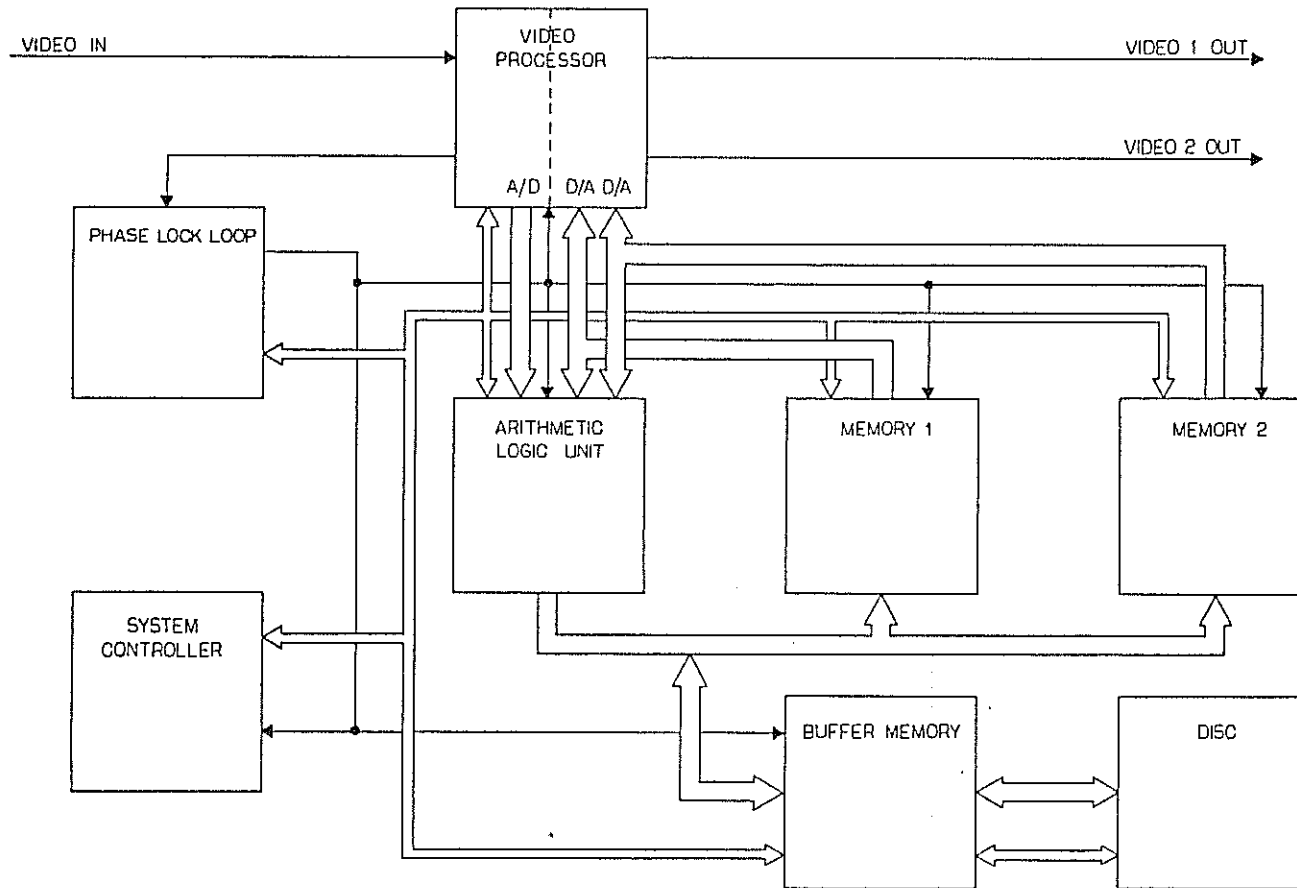


6-2

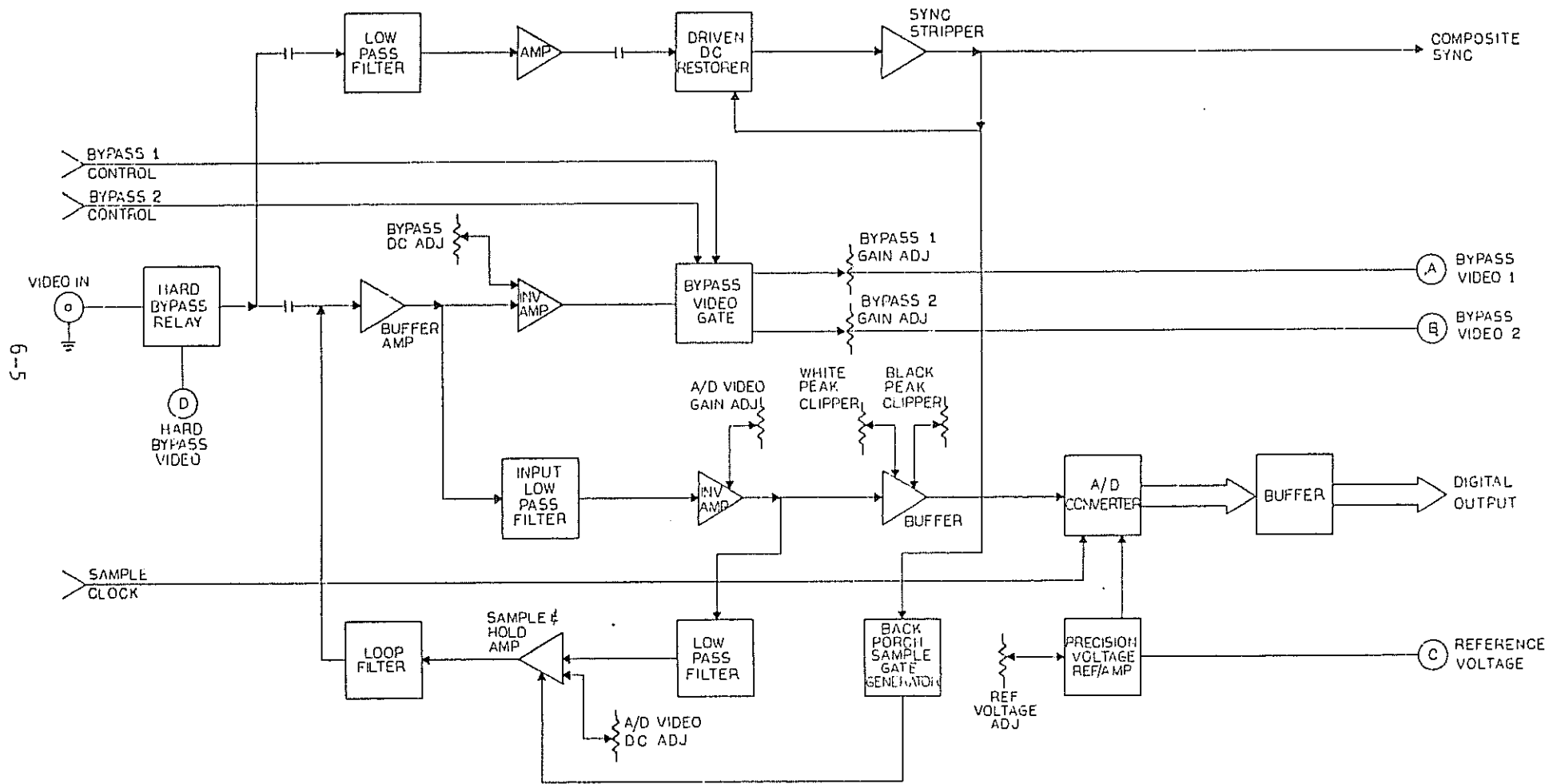
SYSTEM BLOCK DIAGRAM
DIGISTORE 1 - 50383A



SYSTEM BLOCK DIAGRAM
DIGISTORE 2 - 50383A



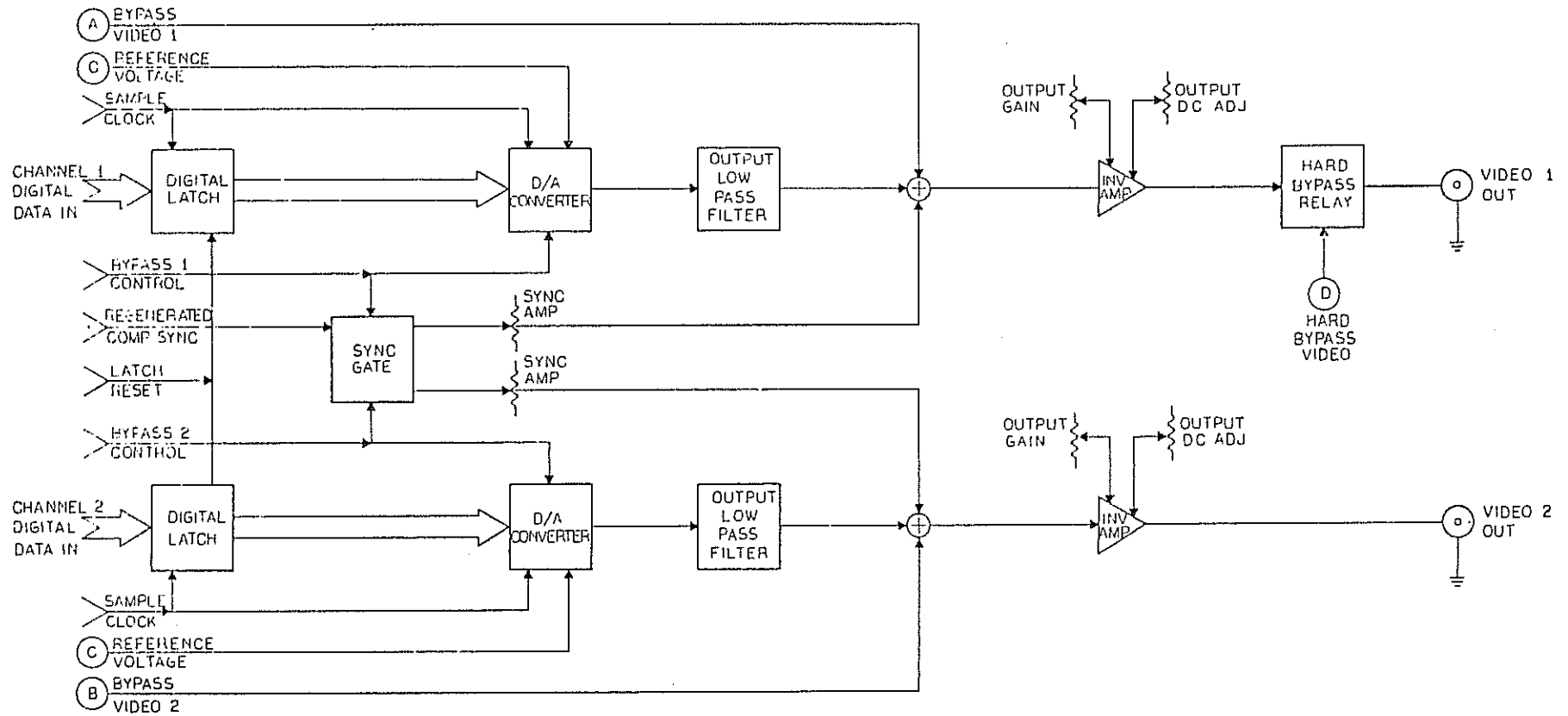
SYSTEM BLOCK DIAGRAM
DIGISTORE 25-50383A



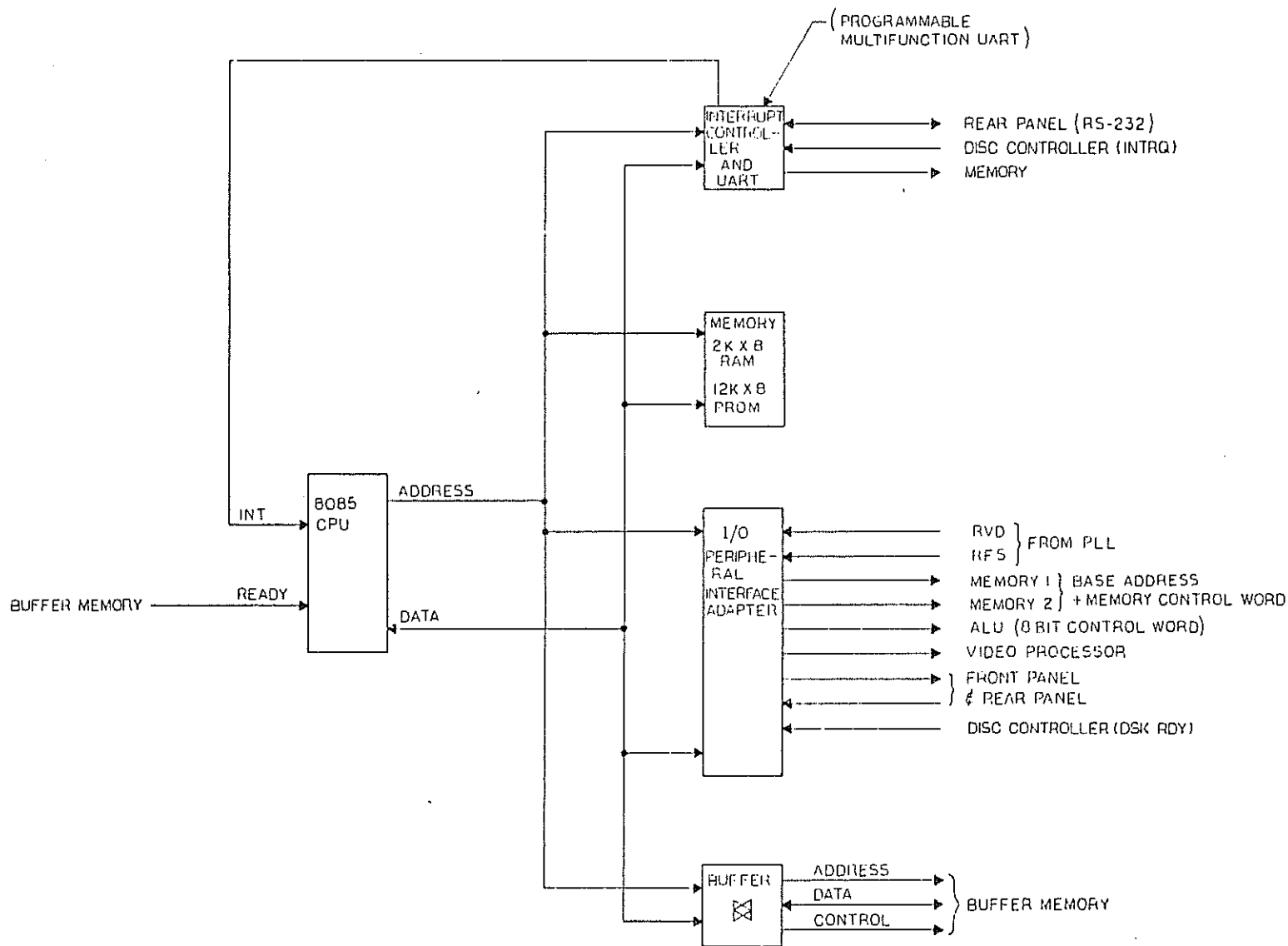
6-5

BLOCK DIAGRAM - VIDEO INPUT - 50383A

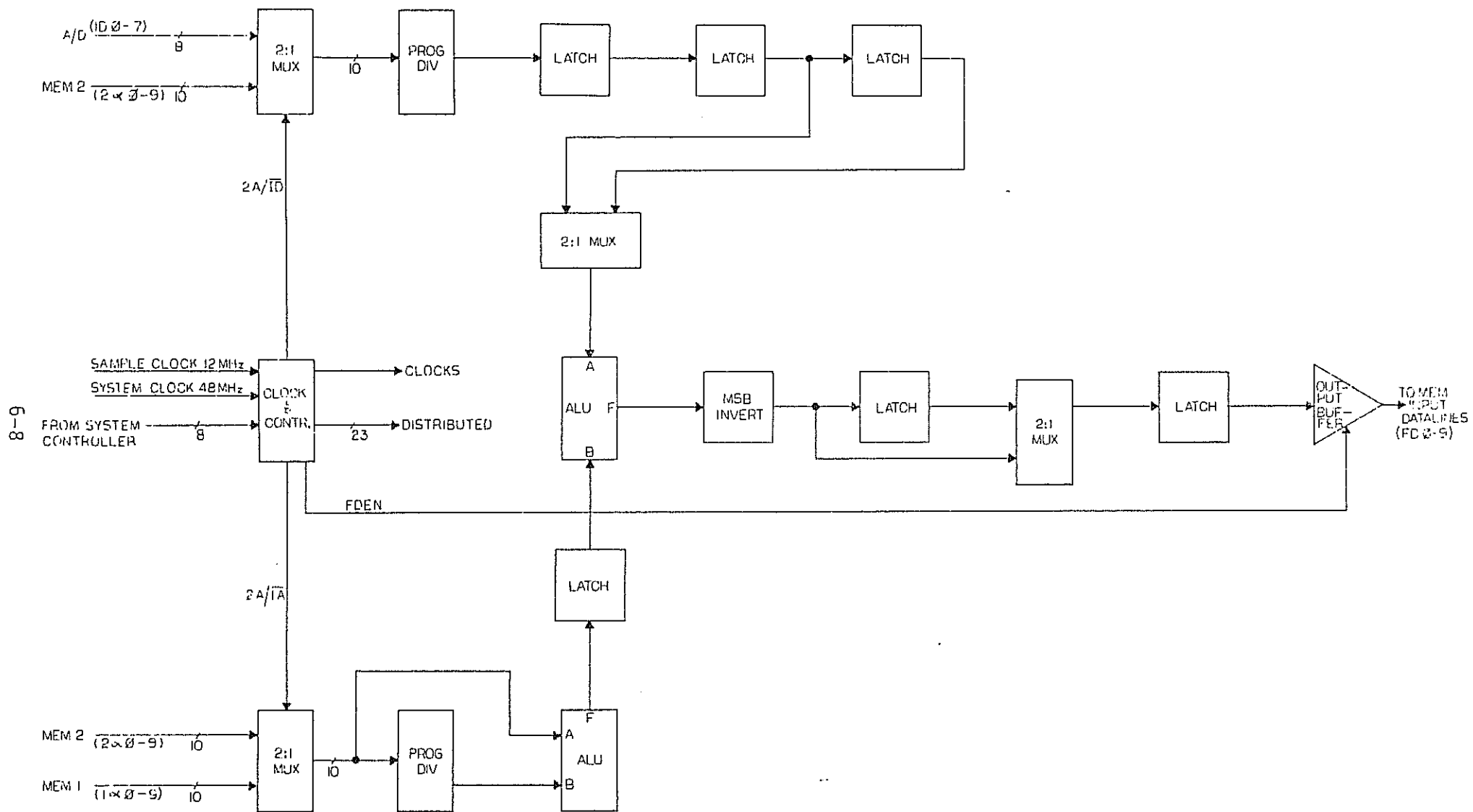
9-9



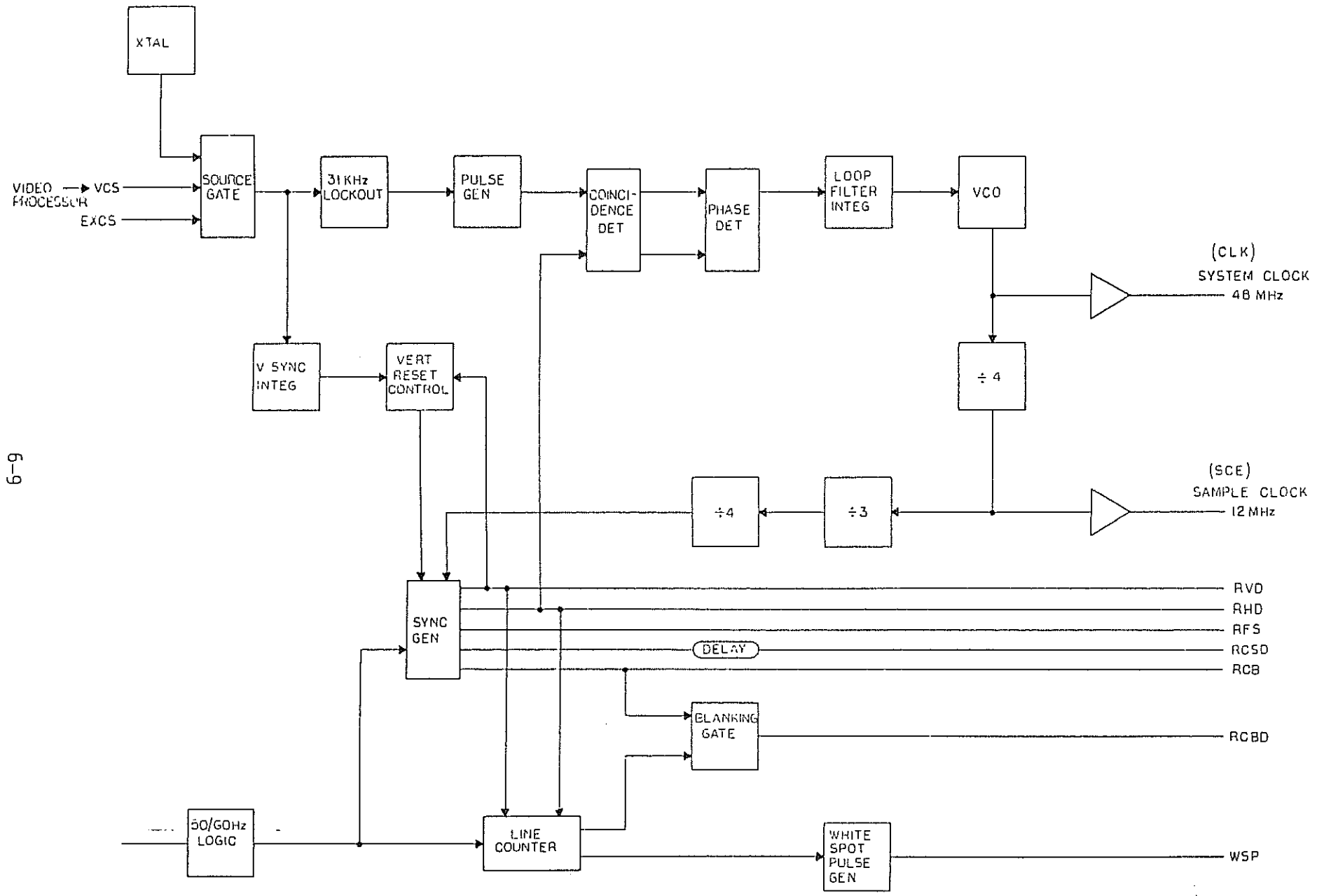
BLOCK DIAGRAM-VIDEO OUTPUT-50383A



BLOCK DIAGRAM - SYSTEM CONTROLLER - 42683A



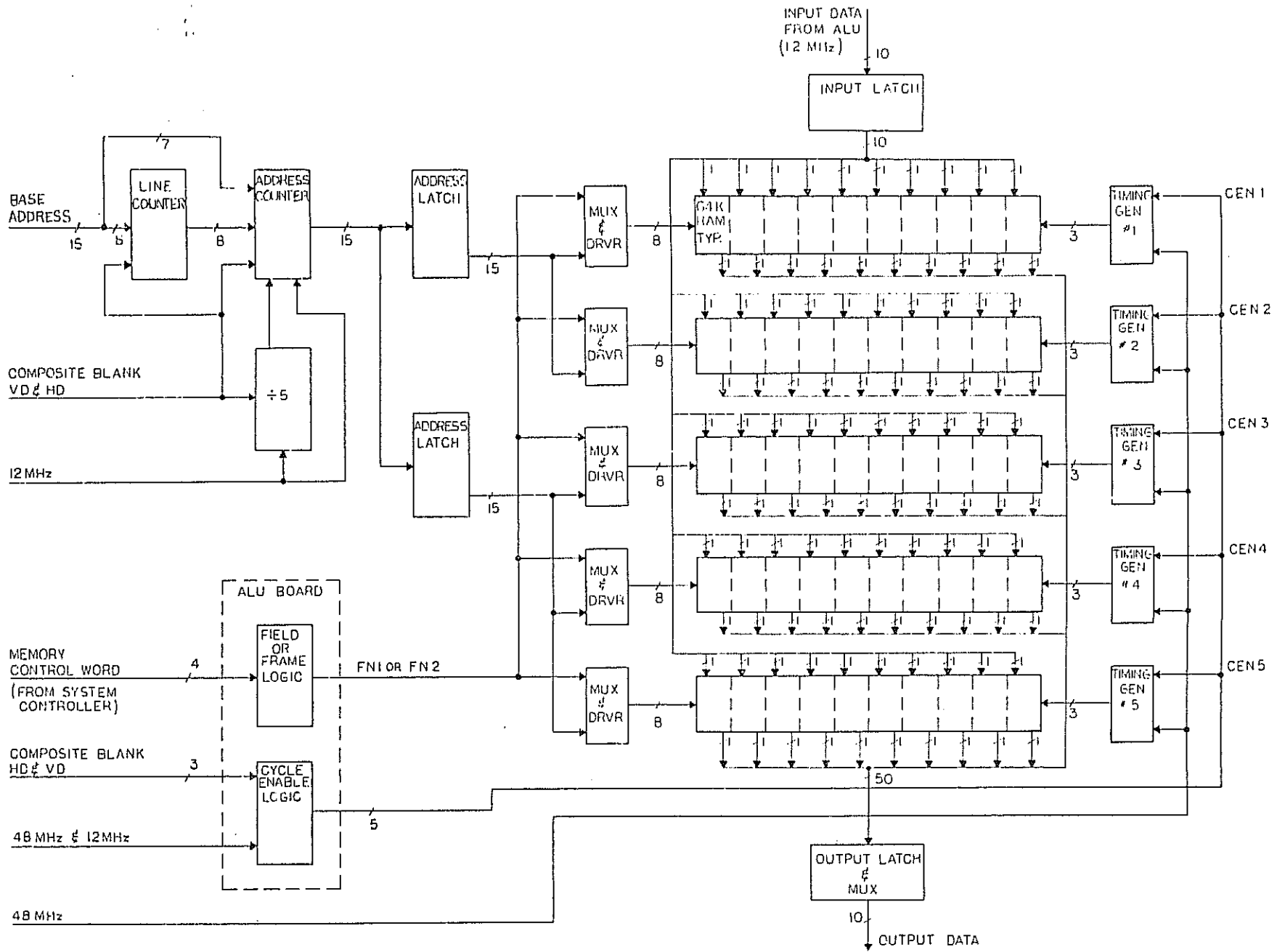
BLOCK DIAGRAM - ALU - 50383A



6-9

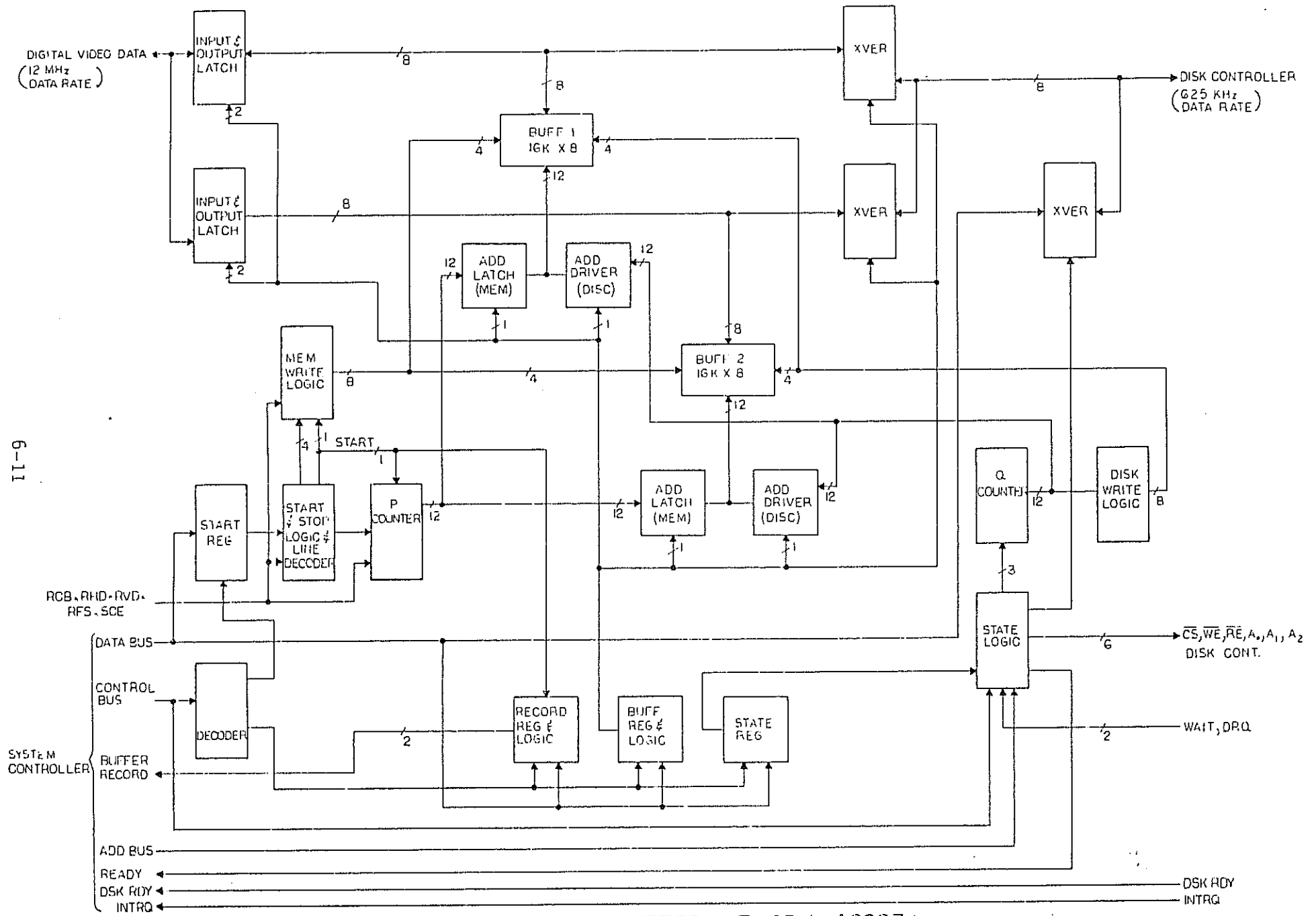
BLOCK DIAGRAM-PHASE LOCK LOOP - 42683A

6-10



BLOCK DIAGRAM-MEMORY- 42983A

6-11

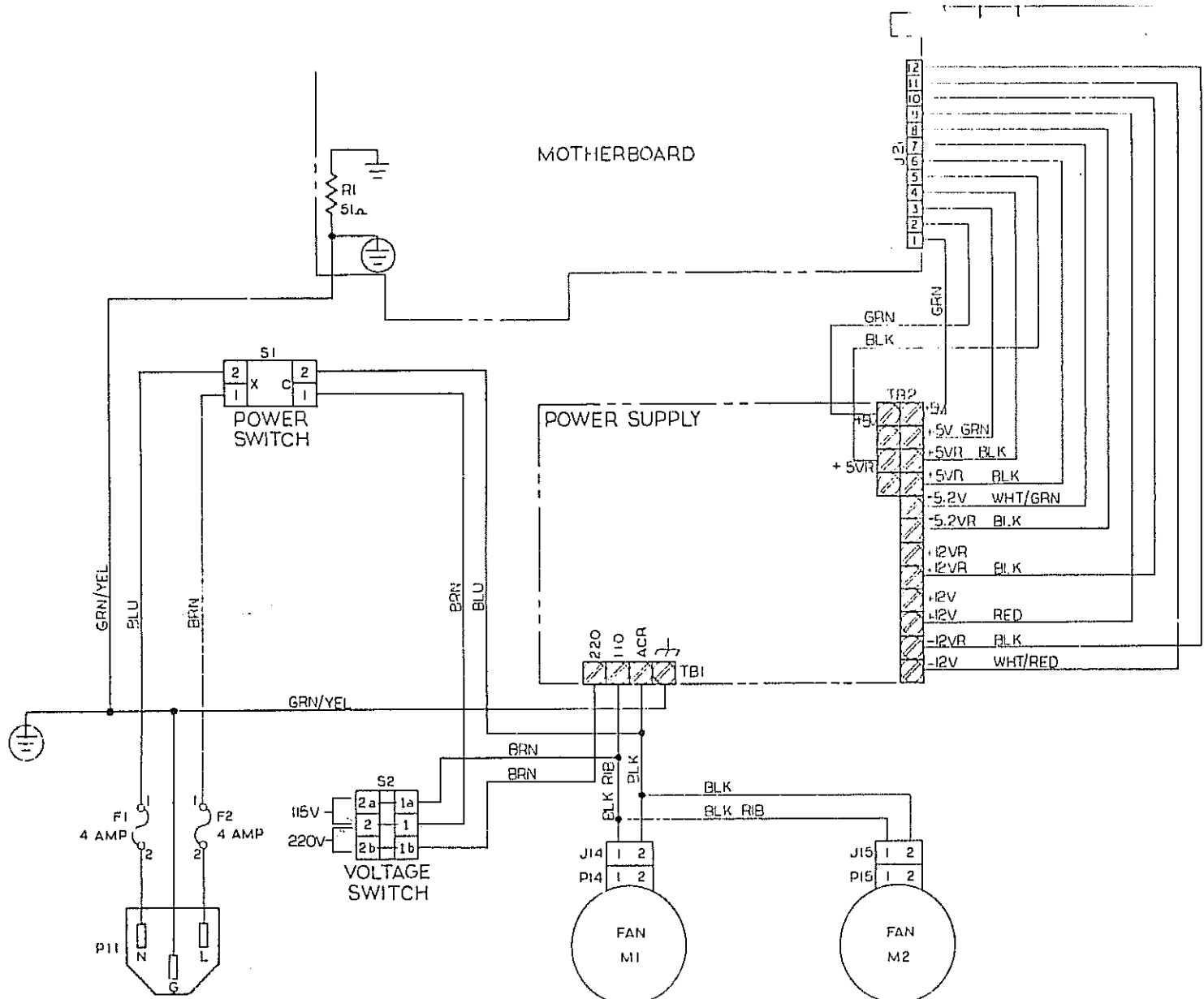


BLOCK DIAGRAM - BUFFER MEMORY - 42683A

1. The first part of the document is a list of names.

2. The second part of the document is a list of names.

6-12



| | | | | |
|---------------|-----------|------------------------|--|---|
| 94200613-00 | | REV. 105:25 | VMS CORP. 2525 MARICOPA ST. TORRANCE, CALIFORNIA 90803 | |
| 94200612-00 | | REV. 105:25 | DES. ENG. <i>Sharma</i> | DATE <i>2/10/83</i> |
| 94200611-00 | | REV. 105:25 | DRAWN <i>W. P. ...</i> | DATE <i>2/2/83</i> |
| NEXT ASSEMBLY | MODEL NO. | CHECK <i>W. P. ...</i> | DATE <i>2/4/83</i> | TITLE WIRING DIAGRAM - SYSTEM POWER |
| SCALE --- | | | DO NOT SCALE DRAWING | SHEET 1 OF 1 |

4

3

2

1

D
C
B
A

SERVICE PARTS



Medical
Systems **Q**

DIGITAL SCOPOFIX DP
(VAS) DP DIGISTORE 2
FOR BV25
TYPE NO: 9807 717 90009

PHILIPS

| | | |
|---------------------------|----------------|-------------|
| Contents | | Q00 - 83.0 |
| Inhalt | | |
| Explanation of the Q-list | | Q01 - 83.0 |
| Erläuterungen der Q-Liste | | |
| Q-list | 9807 717 90009 | Q-1 - 83.0 |
| Q-Liste | | Q-2 - 83.0 |
| | | QZ-1 - 83.0 |

Explanation of the Q-List

Erläuterungen der Q-Liste

Column 1 Diagram or drawing No.
Spalte 1 Schaltbild oder Zeichnungs-Nr.

Column 2 Index of items
Spalte 2 Index oder Schaltbildsymbol.

/Up to and including
/Bis einschliesslich

(The details belong to the same assembly(s)
(Die Einzelteilen gehören zu derselbe Zusammenstellung)

)The items have the same description
)Die Einzelteile tragen dieselbe Bezeichnung

Column 3 Designation of material
Spalte 3 Material Bezeichnung

Column 3a * Physical inventory in I.P.C. Eindhoven
Spalte 3a * Auf Lager in I.P.C. Eindhoven

Column 4 Technical data
Spalte 4 Technische Angaben

C = complete (assembly)
C = zusammenstellung

P = Poles
P = Pole

D = Detail of assembly
D = Detail einer Zusammenstellung

Column 5 Codenumber (Order No.)
Spalte 5 Kodenummer (Bestellnr.)

(.... ..) For the indicated series, this codenumber
will be delivered until stock level is zero
Für die angegebene Serien, wird dieses
Kodenummer zuerst ausgeliefert bis Lager-
bestand gleich null ist.

Column 6 Series No.
Spalte 6 Serien No.

(x) = This spareparts only to be used for the series
indicated.

(x) = Für angegebene Serien dieses Ersatzteil nur
benutzen.

| 1 | 2 | 3 | 3a | 4 | 5 | 6 | | | | | | |
|-----------------|--------------|-------------------------------------|--------------|--------------|----------------------------------|--------|--|--|--|--|--|--|
| | | | | | | SERIES | | | | | | |
| PAGE | | DESCRIPTION | | | CODE NUMBER | | | | | | | |
| QZ-1 | a | DC Power supply | * | C | 4535 500 53061 | | | | | | | |
| QZ-1 | b | Cable, internal connect. | * | C | 4535 500 53181 | | | | | | | |
| QZ-1 | c | Switch, internal AC power | * | C | 4535 500 53091 | | | | | | | |
| QZ-1 | d | P.C.B. Video processor | * | C | 4535 500 53001 | | | | | | | |
| QZ-1 | e | P.C.B. Phase lock loop | * | C | 4535 500 53011 | | | | | | | |
| QZ-1 | f | P.C.B. Memory | * | C | 4535 500 53021 | | | | | | | |
| QZ-1 | g | P.C.B. Arithmetic logic | * | C | 4535 500 53031 | | | | | | | |
| QZ-1 | j | P.C.B. System controller | * | C | 4535 500 53041 | | | | | | | |
| QZ-1 | k | (Switch, external power (Bulb | * * | C | 4535 500 53101 4535 500 53121 | | | | | | | |
| QZ-1 | l | Cable, interface | * | C | 4535 500 53161 | | | | | | | |
| QZ-1 | m | Cable, remote | * | C | 4535 500 53151 | | | | | | | |
| QZ-1 | n | Cable, front panel | * | C | 4535 500 53131 | | | | | | | |
| QZ-1 | o | (Switch, function (Bulb | * * | C D | 4535 500 53111 4535 500 53121 | | | | | | | |
| QZ-1 | q | Cable, disc drive contr. | * | C | 4535 500 53171 | | | | | | | |
| | | Battery BR-2/3A, 3V | | | 4535 500 53231 | | | | | | | |
| | | | | | | | | | | | | |

DIGITAL SCOPFIX DP
 (NAS) DP-DIGISTORE-2
 FOR BV25
 TYPE NO: 9807 717 90009

9807 717 90009 - Q-1 - 83.0

9807 717 90009 Q-2 83.0

| PAGE 1. | 2 | DESCRIPTION 3 | 3a | 4 | CODE NUMBER 5 | 6 SERIES | | | | | | | | |
|------------|---|---------------------------------|----|-------|------------------|----------|--|--|--|--|--|--|--|--|
| | | | | | | | | | | | | | | |
| QZ-1 | t | Fan | * | C 2x | 4535 500 53081 | | | | | | | | | |
| QZ-1 | u | Fuse | * | 4A 2x | 4535 500 53221 | | | | | | | | | |
| QZ-1 | v | P-8 . Front panel DP | | | 4535 500 53201 | | | | | | | | | |
| | | | | | | | | | | | | | | |
| | | | | | | | | | | | | | | |
| | | | | | | | | | | | | | | |
| | | | | | | | | | | | | | | |
| | | | | | | | | | | | | | | |
| | | | | | | | | | | | | | | |
| | | | | | | | | | | | | | | |
| | | | | | | | | | | | | | | |

DIGITAL SCOPFIX
 VAS-DP DIGISTORE 2
 FOR BV25
 TYPE NO: 9807 717 90009

